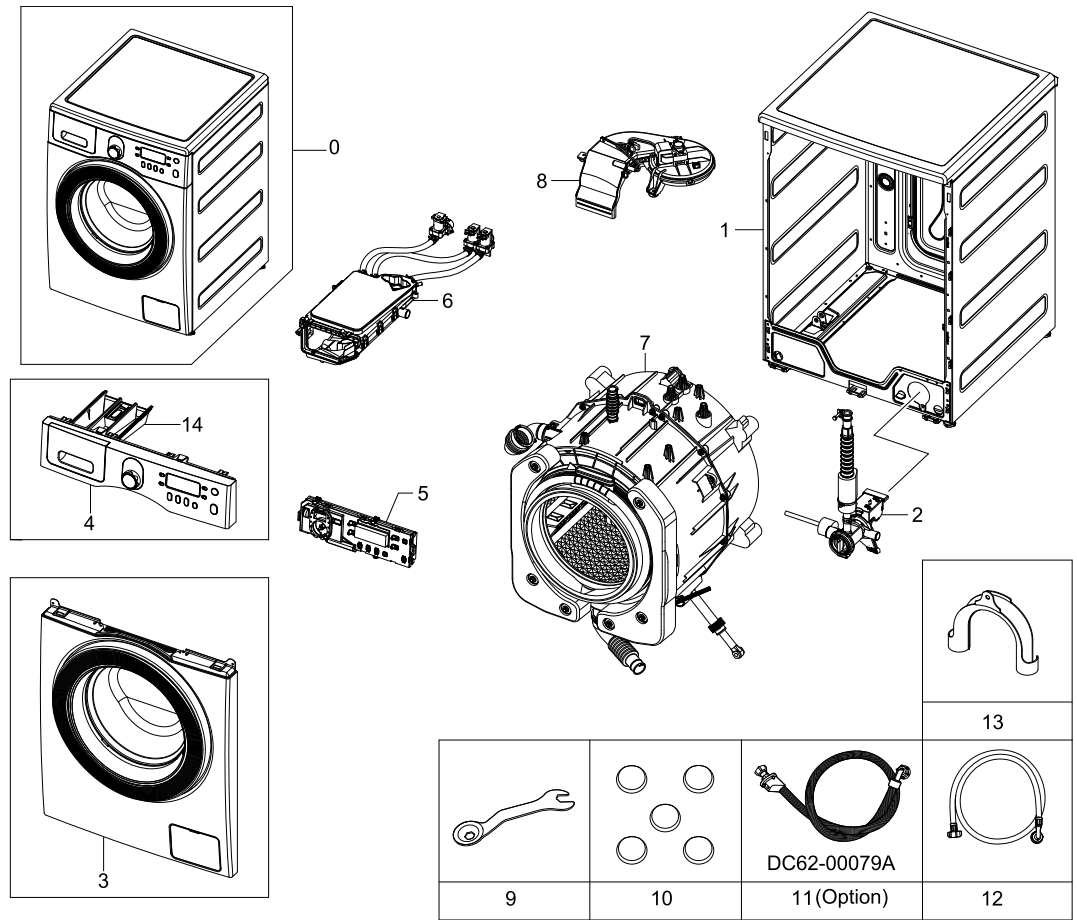


1. Main

Exploded View



Parts List

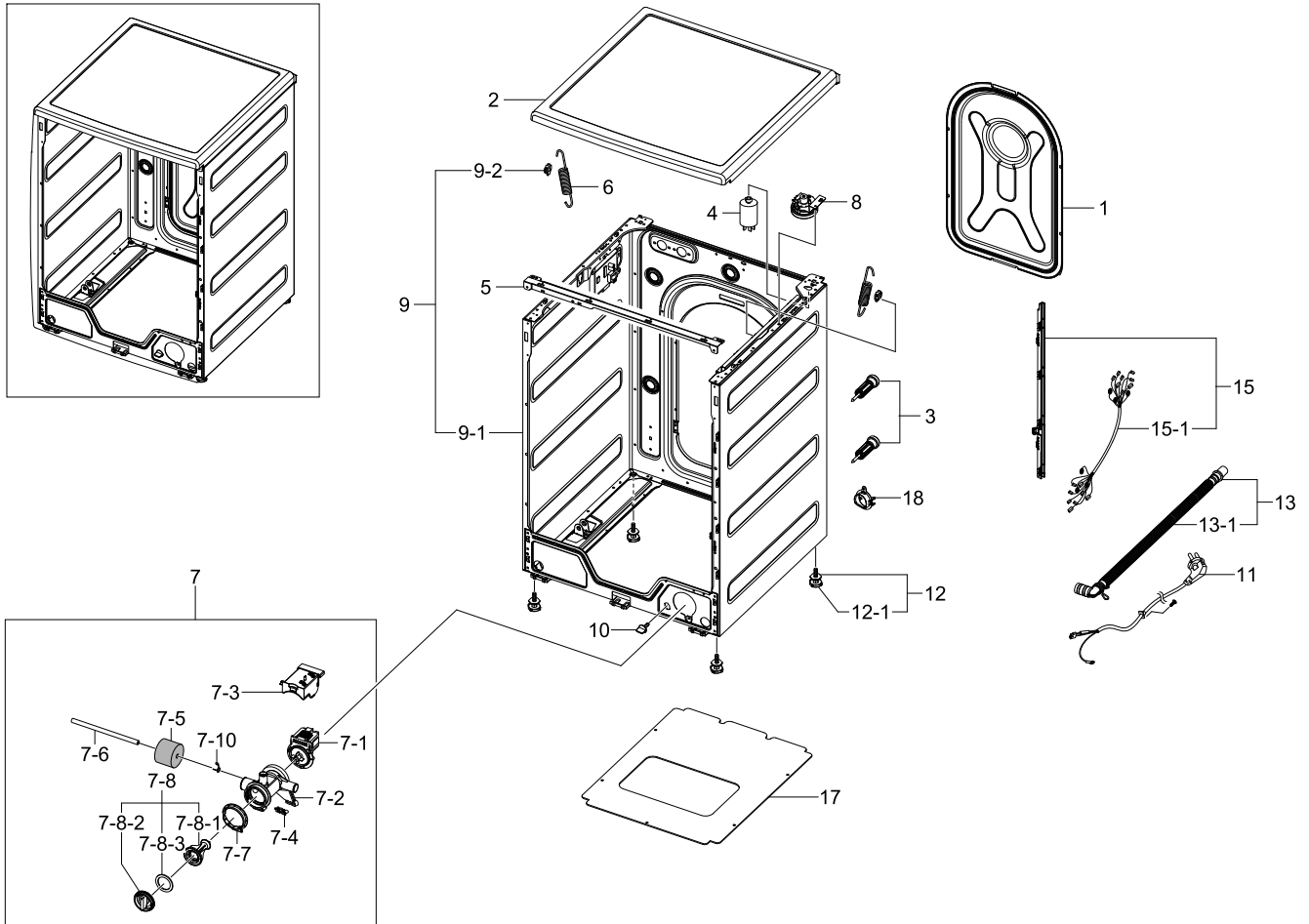
No.	Parent	Lvl.	Loc.	Material Code	Description & Specification	SNA	Qty.
1	DC90-01397A	2	WF0004	DC97-14657E	ASSY FRAME; HEBA,WF8804,PCM,T0.8,-,WHITE	SA	1
2	DC90-00186A	2	WU5124	DC96-01533B	ASSY PUMP DRAIN; HEBA-PJT,WF8802,NO AIR V	SA	1
3	DC90-00834A	2	WF0005	DC97-14342Q	ASSY FRAME FRONT; GRIFFIN-PJT,WF8802RPF,E	SNA	1
4	DC90-00834A	2	WC0016	DC97-15370R	ASSY PANEL CONTROL; HEBA-PJT,WF8802RPF/XS	SA	1
5	DC90-00834A	2	WZ0010	DC92-00149B	ASSY PCB MAIN; HEBA-BEST(WF8802RP),MF-HWQ	SA	1
6	DC90-00186A	2	WR0008	DC97-14654B	ASSY HOUSING DRAWER; WF8804DP,HEBA-PJT/CO	SNA	1
7	WF8802RPF/XSA	1	WG0013	DC90-00244A	ASSY TUB & DRUM; HEBA,WF8802RPA/XEU	SNA	1
8	DC90-00186A	2	WY0001	DC97-14537A	ASSY AIR WASH; WF8804DP,AIRWASH, MOTOR+PT	SA	1

Exploded Views and Parts List

No.	Parent	Lvl.	Loc.	Material Code	Description & Specification	SNA	Qty.
9	DC90-00825A	2	WJ5077	DC60-40146A	BOLT-SPANER; -,CR,-,T2.5,OD36,-,-,-,-	SA	1
10	DC90-00825A	2		DC67-00251A	CAP-FIXER; SEW-6HR115B,PP,T1.83,W26.8,L34	SNA	5
12	DC90-00825A	2	WH5290	DC62-10289B	HOSE-WATER(C); WIP4013SRW,PVC+NYLON,ID10.	SA	1
13	DC90-00825A	2		DC62-10278A	HOSE-HANGER; PP,NTR,JS20 RESIN	SNA	1
14	DC90-00834A	2	WR0005	DC97-15040A	ASSY DRAWER; WF8804DP,HEBA/WHT,-,-,-,-	SA	1

2. Frame&Cover Parts

Exploded View



Parts List

No.	Parent	Lvl.	Loc.	Material Code	Description & Specification	SNA	Qty.
1	DC90-00834A	2	WF0002	DC97-15019A	ASSY COVER BACK; HEBA-PJT,-,COVER BACK +	SA	1
2	DC90-00834A	2	WF0003	DC97-14953A	ASSY COVER TOP; HEBA-PJT,-,WOOD+AL FOIL+U	SA	1
3	DC90-00834A	2	WJ5004	DC97-14653A	ASSY FIXER TUB; HEBA-PJT,WF8804DP,-,-,-,-	SA	5
4	DC90-00186A	2	WE0076	DC29-00005D	FILTER-EMI; FA-2151T-4,1.2mm Nut,250V,15,	SA	1
5	DC90-00186A	2	WF0008	DC97-15363A	ASSY FRAME PLATE(U); HEBA,ALL,GI,T1.2,600	SA	1
6	DC90-00186A	2	WF0102	DC61-02029A	SPRING ETC-HANGER; HEBA,HSWR,CD3.5,ID24.8	SA	2
7	DC90-00186A	2	WU5124	DC96-01533B	ASSY PUMP DRAIN; HEBA-PJT,WF8802,NO AIR V	SA	1

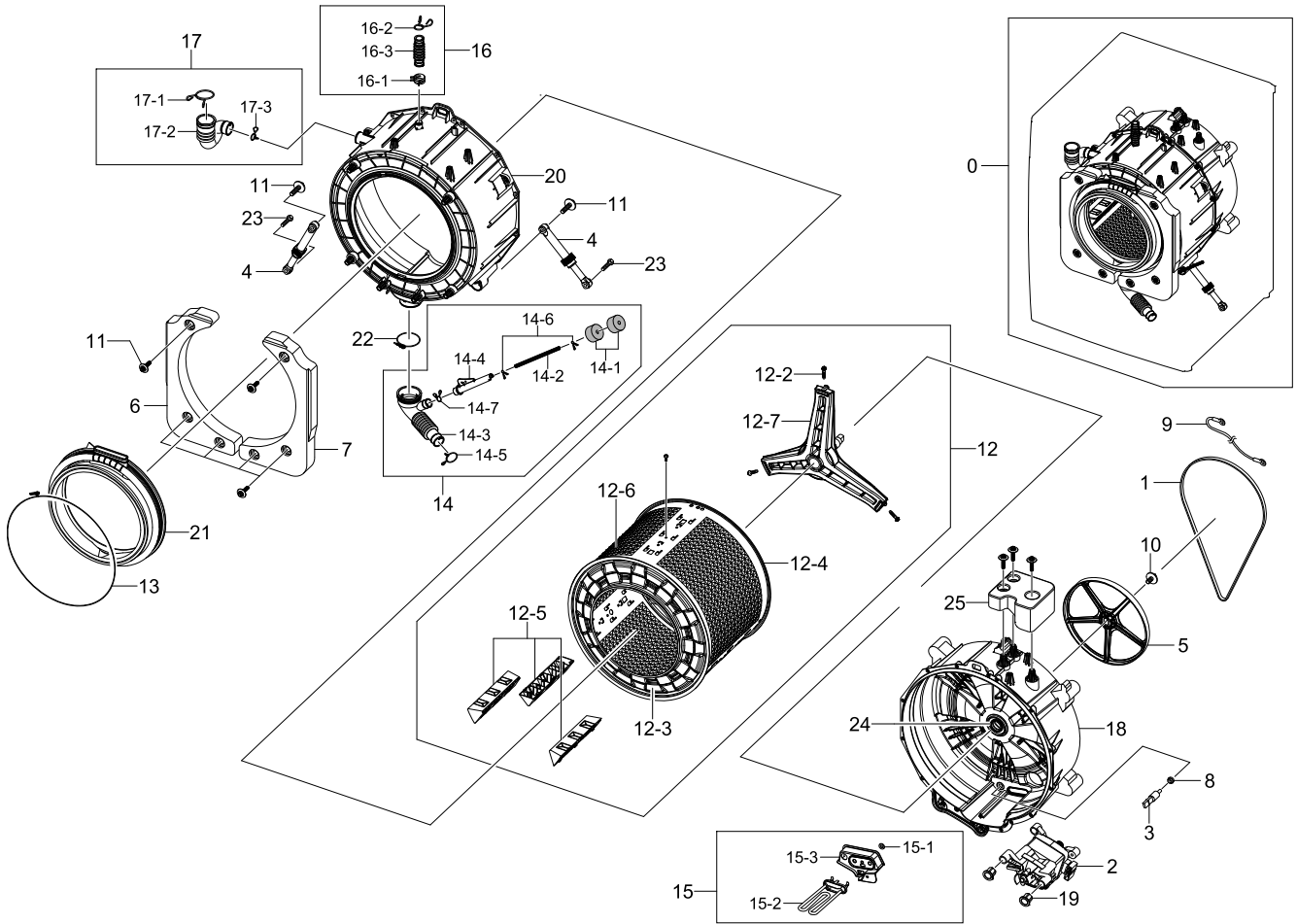
Exploded Views and Parts List

No.	Parent	Lvl.	Loc.	Material Code	Description & Specification	SNA	Qty.
7-1	DC96-01533B	3	WU5008	DC31-00030A	PUMP-DRAIN; B20-6,220V,50Hz,-,HANYU	SA	1
7-2	DC96-01533B	3	WU0023	DC61-01951A	CASE-PUMP; WF8804DP,PP,T2.5,W128,L108,-,-	SA	1
7-3	DC96-01533B	3	WI0203	DC63-00830A	COVER-PUMP; COVER-PUMP,PP,T2.1,W60.5,L75,	SNA	1
7-4	DC96-01533B	3	WO0031	DC63-00905A	CUSHION-PUMP; WF8802DPF/XET,NBR,-,W37.6,L	SNA	1
7-5	DC97-14637A	3	WH0017	DC63-10003C	SPONGE-HOSE AIR; POL,GRY,SWF-P12,HB22-GRE	SNA	2
7-6	DC96-01533B	3	WH5224	DC67-00244A	HOSE-DRAIN; HOSE-DRAIN,EPDM,ID6,OD11,T2.5	SA	1
7-7	DC96-01533B	3		DC69-01128A	PACKING-PUMP; WF8804DP,RUB-OTH,BUTYL,T2.5	SNA	1
7-8	DC96-01533B	3	WA0006	DC97-14278A	ASSY FILTER; HEBA-PJT,ASSY-FILTER,-,-	SA	1
7-8-1	DC97-14278A	4	WU0026	DC63-00865A	FILTER-PUMP; WF8804DP,PP,T1.7,W53,L66.95,	SNA	1
7-8-2	DC97-14278A	4	WI0357	DC64-01317A	HANDLE-FILTER; HANDLE-FILTER,PP,T2.5,W55,	SNA	1
7-8-3	DC97-14278A	4		DC73-00022A	RUBBER-PACKING; SEW-HVR149ATA,EPDM,-,40,-	SNA	1
7-10	DC96-01533B	3		DD65-00001F	CLAMPER HOSE; SDW-H120,STEEL,-,D10.5/T1.2	SNA	1
8	DC90-00186A	2	WE0020	DC96-01703A	ASSY SENSOR PRESSURE; AEGIS-PJT,-,-,DRUM	SA	1
9	DC90-01397A	2	WF0004	DC97-14657E	ASSY FRAME; HEBA,WF8804,PCM,T0.8,-,WHITE	SA	1
9-1	DC97-14657E	3	WF0067	DC61-02172A	FRAME; HEBA-PJT,PCM(EGI),DA WHT,T0.8,W598	SNA	1
9-2	DC97-15690A	4	WI0266	DC61-02065A	GUIDE-SPRING; WF448AAG/XXA,POM,T4,W24,L25	SA	1
10	DC90-01397A	2	WI0107	DC61-10673A	CAP-DRAIN; SWF-P12,PP(TB53),-,-,-,WHT,-,	SNA	1
11	DC90-01397A	2	WE0016	DC96-00037L	ASSY POWER CORD; AP3,250V 10/16A,-,1500MM	SA	1
12	DC90-01397A	2	WB5216	DC97-00920E	ASSY LEG; MAH2400AWW,-,-,-,-	SA	4
12-1	DC97-00920E	3	WB5216	DC97-00920F	ASSY LEG; MAH2400,GRY/BUTYL+BOLT,-,-,-,BU	SNA	4
13	DC90-01397A	2	WH0022	DC97-02250Y	ASSY HOSE DRAIN(O); HEBA,WF8800,ASSY,L185	SA	1
13-1	DC97-02250Y	3	WH0013	DC67-00330B	HOSE-PUMP; WF8802DPF,PP,ID20.6,OD27,-,L18	SA	1
15	DC90-00186A	2	WW0026	DC96-01646D	ASSY M.GUIDE WIRE HARNESS; HEBA-PJT,-,-,-	SA	1
15-1	DC96-01646D	3	WW0027	DC96-01569D	ASSY M. WIRE HARNESS; HEBA-PJT,-,-,AIR WA	SA	1

No.	Parent	Lvl.	Loc.	Material Code	Description & Specification	SNA	Qty.
17	DC90-01397A	2	WI0322	DC64-01757A	SHUTTER; HEBA-PJT,PP,T3.0,-,-,WHT,7kg/DAN	SA	1
18	DC90-01397A	2	WH5359	DC61-00274A	GUIDE-HOSE; P/PV/M,PP,-,-,WHT,FRAME/DRA	SA	1

3. Assy Tub&Drum

Exploded View



Parts List

No.	Parent	Lvl.	Loc.	Material Code	Description & Specification	SNA	Qty.
0	WF8802RPF/XSA	1	WG0013	DC90-00244A	ASSY TUB & DRUM; HEBA,WF8802RPA/XEU	SNA	1
1	DC90-00244A	2	WS0060	6602-001497	BELT-TIMING GEAR; -,RUBBER(GATES),T3.4,-,	SA	1
2	DC90-00244A	2	WG0065	DC31-00002M	MOTOR UNIVERSAL-DRUM; MCC 52/64-148/SEC4,	SA	1
3	DC90-00244A	2	WE5178	DC32-00010A	THERMISTOR; -,11982OHM AT 25,-,55~155	SA	1
4	DC90-00244A	2	WB5201	DC66-00343D	DAMPER-SHOCK; GW-PJT,STEEL+PP+RUBBER,80N,	SA	2
5	DC90-00244A	2	WS0109	DC66-00530A	PULLEY-MOTOR; HEBA-PJT,ALDC12,-,-,OD296	SA	1
6	DC90-00244A	2	WB0055	DC67-00433A	WEIGHT-BALANCER(F/R); WD8704DJF,CONCRETE,	SA	1

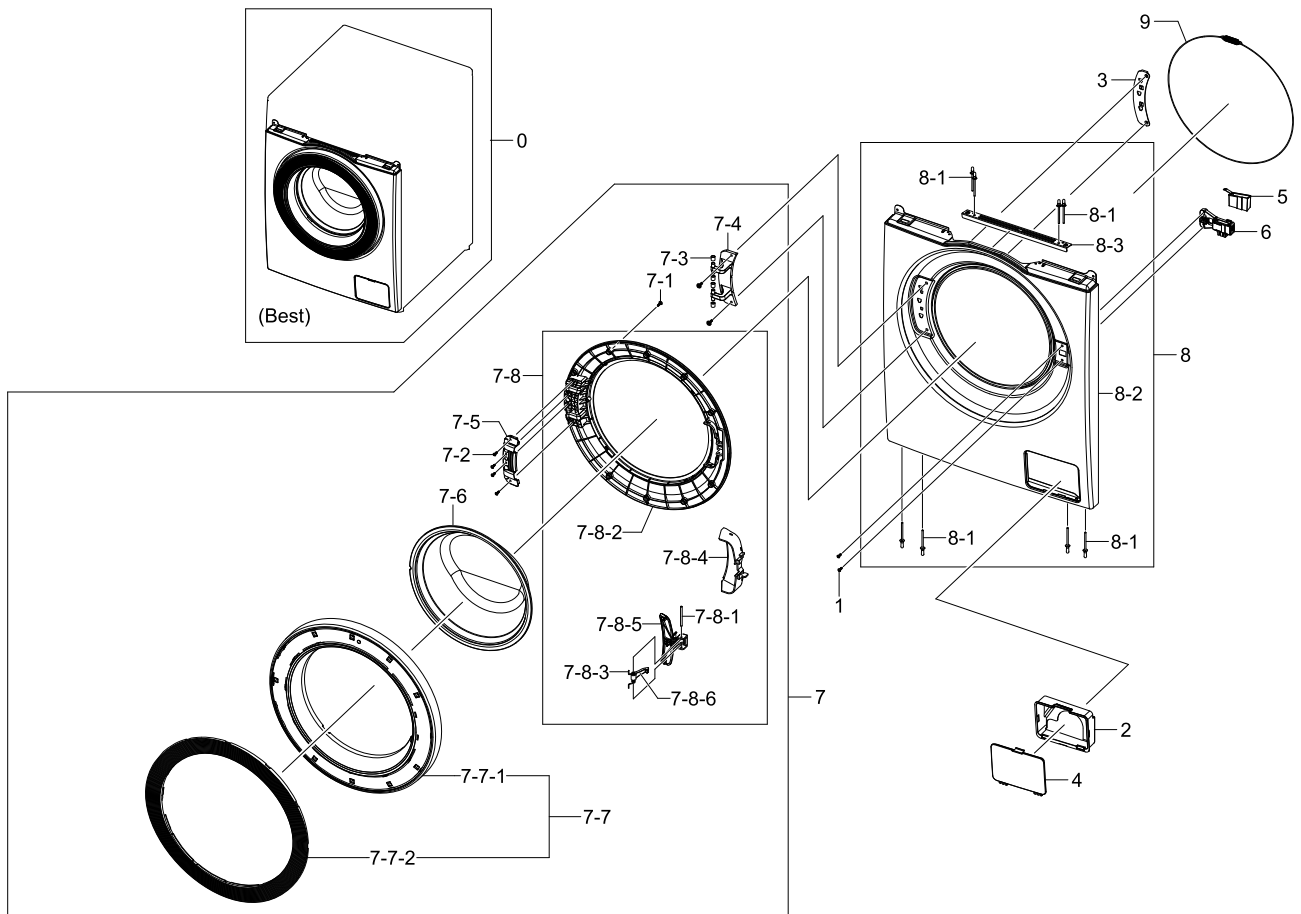
No.	Parent	Lvl.	Loc.	Material Code	Description & Specification	SNA	Qty.
7	DC90-00244A	2	WB0056	DC67-00434A	WEIGHT-BALANCER(F/L); WD8704DJF,CONCRETE,	SA	1
8	DC90-00244A	2	WE0115	DC69-00824A	PACKING-THERMISTOR; GW-PJT,EPDM,EPDM,-,W1	SA	1
9	DC90-00244A	2	WW5082	DC96-01327B	ASSY WIRE HARNESS; HEBA-PJT,-,-,TUB EARTH	SA	1
10	DC90-00244A	2	WJ5031	DC97-06080A	ASSY BOLT; SEW-3HR107,BOLT+WASHER,-,-,-,-	SA	1
11	DC90-00244A	2	WJ5013	DC97-14263A	ASSY BOLT; HEBA-PJT,MOTOR/BOLT(M8)+WASHER	SA	10
12	DC90-00244A	2	WG0004	DC97-14371C	ASSY DRUM; HEBA,WF8800DPF/WF8802DPF,598*8	SA	1
12-2	DC97-14371C	3	WJ5081	DC60-40137A	BOLT-HEX; MARS-PJT,STS430,M8,-,P1.25,L30,	SNA	3
12-3	DC97-14371C	3	WG0054	DC66-00489B	DRUM-FRONT; HEBA PJT(8kg),STS430,ID492,OD	SNA	1
12-4	DC97-14371C	3	WG0053	DC66-00492A	DRUM-BACK; HEBA PJT,STS430,ID492,OD492.4,	SNA	1
12-5	DC97-14371C	3	WG0055	DC66-00493A	DRUM-LIFTER; HEBA PJT,PP-TI42,-,-,L246,NT	SA	3
12-6	DC97-14371C	3	WG0057	DC66-00491A	DRUM-WRAPPER; HEBA PJT/8.0kg,STS430,ID492	SNA	1
12-7	DC97-14371C	3	WS0006	DC97-14370A	ASSY FLANGE SHAFT; HEBA PJT,6205/6204,-,1	SA	1
13	DC90-00244A	2	WJ0002	DC97-14618A	ASSY CLAMP DIAPHRAGM; WF8804DP,OD2.0/L243	SA	1
14	DC90-00244A	2	WE5001	DC97-14637A	ASSY HOSE PRESSURE; HEBA PJT,-,-,-,-,-	SA	1
14-1	DC97-14637A	3	WH0017	DC63-10003C	SPONGE-HOSE AIR; POL,GRY,SWF-P12,HB22-GRE	SNA	2
14-2	DC97-14637A	3	WH5226	DC67-00230B	HOSE-WATER; WF8800,TPE,ID4.5,OD8.0,T1.75,	SA	1
14-3	DC97-14637A	3	WH0012	DC67-00293A	HOSE-FILTER TUB; HEBA-PJT,EPDM,-,-,T2.5,-	SA	1
14-4	DC97-14637A	3		DC67-00297A	HOSE-JOINT AIR; HEBA & Aegis-PJT,PP,ID22,OD	SNA	1
14-5	DC97-14637A	3	WJ0018	DC72-00001H	BAND-RING; HEBA-PJT,HSWR,PI3.0,ID35,-,WHT	SNA	1
14-6	DC97-14637A	3	WP0165	DC61-70029C	SPRING-CLIP; SEW-HW125,HSWR,CD1.2,ID8.5,O	SA	2
14-7	DC97-14637A	3	WJ0018	DC65-60125B	BAND-RING; -,HSWR,T2.4,PI25,-,YEL,-	SNA	1
15	DC90-00244A	2	WE0010	DC97-14827E	ASSY HEATER; HEBA,230V/ 2000W,CERAMIC/GRE	SA	1
15-1	DC97-14827E	3	WJ0083	6031-001531	WASHER-PLAIN; SCP1,ID7,OD14,T1.2,ZPC2(YEL	SNA	1

Exploded Views and Parts List

No.	Parent	Lvl.	Loc.	Material Code	Description & Specification	SNA	Qty.
15-2	DC97-14827E	3	WE0155	DC47-00033A	HEATER-WASH; HEBA,SUS316L+CERAMIC COATING	SNA	1
15-3	DC97-14827E	3	WE0060	DC63-00889B	COVER-HEATER; WF438AAG,PP,T2.0,W160.0,L80	SA	1
16	DC90-00244A	2	WH5018	DC97-14873A	ASSY HOSE AIR; WF8804DP,-,HOSE-AIR+BAND-R	SA	1
16-1	DC97-14873A	3		DC61-00158A	CLAMPER HOSE; SW65ASP,SK5,ID23,-,T0.8/YEL	SNA	1
16-2	DC97-14873A	3	WJ0018	DC65-60118J	BAND-RING; -,HSWR,-,-,WHT,PI2.0/ID23	SNA	1
16-3	DC97-14873A	3	WH5364	DC67-00298A	HOSE-AIR; HEBA PJT,EPDM,-,-,T2.5,-,BLK,-	SA	1
17	DC90-00244A	2	WH5375	DC97-14874C	ASSY HOSE DRAWER; HEBA BIGBANG,WF0800NCE,	SA	1
17-1	DC97-14873A	3	WJ0018	DC65-60118J	BAND-RING; -,HSWR,-,-,WHT,PI2.0/ID23	SNA	1
17-2	DC97-14874C	3	WH5191	DC67-00422A	HOSE-DRAWER TUB; HEBA-PJT,EPDM,ID42.5,OD4	SA	1
17-3	DC97-14874C	3	WJ0018	DC72-00001G	BAND-RING; HEBA-PJT,HSWR,PI3.0,W21.5,ID49	SNA	1
18	DC97-15440B	3	WT0003	DC97-15011C	ASSY SEMI TUB BACK; HEBA,WF8700,7.0kg,PP,	SNA	1
19	DC90-00244A	2	WS0064	DC61-02549A	BUSH-MOTOR; HEBA BIGBANG,NYLON,ID16,OD19,	SNA	1
20	DC90-00244A	2	WT0042	DC61-01932A	TUB-FRONT; HEBA PJT,FRPP-GF15%,ID528,OD57	SA	1
21	DC90-00244A	2	WD0067	DC64-01537A	DOOR-DIAPHRAGM; HEBA-PJT,EPDM,T2.0,-,-,-,	SA	1
22	DC90-00244A	2		DC65-00021A	CLAMPER HOSE-JOINT; HEBA PJT,HSWR,-,ID74/	SNA	1
23	DC90-00186A	2	WX0558	6011-001644	BOLT-HEX; M10,L35,ZPC2(YEL),SM10C,DAMPER	SA	2
24	DC97-15440B	3	WS0119	DC62-00008A	SEAL-OIL; -,NBR(SD35),BLK,-,-,-,NBU(PI15)	SA	1
25	DC90-00186A	2	WT5104	DC67-00296A	WEIGHT-BALANCER(U); HEBA-PJT,CONCRETE,-,W	SA	1

4. Assy Frame Front

Exploded View



Parts List

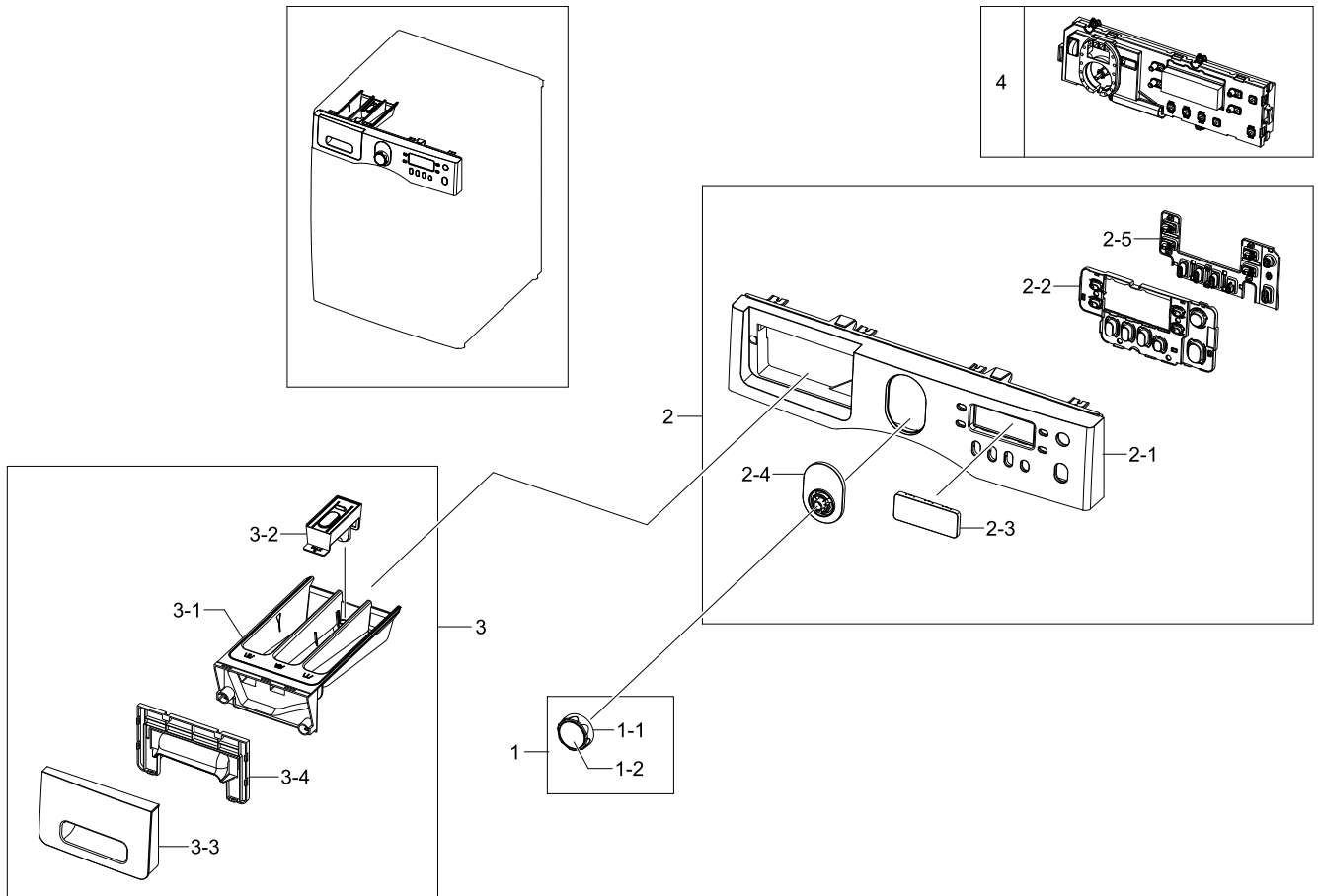
No.	Parent	Lvl.	Loc.	Material Code	Description & Specification	SNA	Qty.
0	DC90-00834A	2	WF0005	DC97-14342Q	ASSY FRAME FRONT; GRIFFIN-PJT,WF8802RPF,E	SNA	1
1	DC90-00244A	2	WX0434	6002-000471	SCREW-TAPPING; TH,+,-,1,M4,L12,PASS,STS30	SA	2
2	DC97-14342Q	3	WI0248	DC61-01917A	GUIDE-FILTER; WF8804DP,PP,T2.5,W300,L200,	SA	1
3	DC97-14342Q	3	WP0101	DC61-01919A	BRACKET-HINGE; WF8804DP,GI,T1.4,W30,L150,	SA	1
4	DC97-14342Q	3	WI0167	DC63-00854A	COVER-FILTER; WF8804DP,ABS,T2.0,W300,L200	SA	1
5	DC97-14342Q	3	WE0059	DC63-00967A	COVER-DOOR SWITCH; AEGIS-PJT/ WF8500NHW,P	SA	1
6	DC97-14342Q	3	WE0067	DC64-01538A	DOOR-LOCK S/W; ZV-446L5,PA66,T19.5,-,W95.	SA	1
7	DC97-14342Q	3	WD0003	DC97-14343B	ASSY DOOR; -,WF8802DPF,-,-,CR+SIL	SNA	1

Exploded Views and Parts List

No.	Parent	Lvl.	Loc.	Material Code	Description & Specification	SNA	Qty.
7-1	DC97-14343B	4		6002-000444	SCREW-TAPPING; TH,+2,M4,L14,PASS,STS430	SNA	12
7-2	DC97-14343B	4	RS701	6002-001306	SCREW-TAPPING; TH,+,-,1,M4,L14,ZPC(WHT),S	SNA	4
7-3	DC97-14343B	4	WD0090	DC61-00891A	GUIDE-HINGE; HAUZEN(DOM),POM,-,-,-,WHT,HI	SA	4
7-4	DC97-14343B	4	WD0096	DC61-01910A	HINGE-DOOR; WF8804DP,ALDC,T5.0,W30,L150,-	SA	1
7-5	DC97-14343B	4	WP0103	DC61-01915B	BRACKET-HOLDER; WF8804DP,GI,T1.2,W45,L160	SA	1
7-6	DC97-14343B	4	WD0070	DC64-01521A	DOOR-GLASS; WF8804DP,NON-HeatTreatment GL	SA	1
7-7	DC97-14343B	4	WD0001	DC97-14328B	ASSY COVER DOOR; WF8804DP,-,-,-,CR+SIL	SA	1
7-7-1	DC97-14328B	5	WD0037	DC63-00855A	COVER-DOOR; WF8804DP,ABS,T3.0,W480,L480,-	SNA	1
7-7-2	DC97-14328B	5	WD0046	DC64-01523B	DECORATION-COVER DOOR; WF8802DPF,ABS,T2.7	SNA	1
7-8	DC97-14343B	4	WD0010	DC97-15375A	ASSY HOLDER GLASS; HEBA,ALL,PP,T3.0,480*4	SNA	1
7-8-1	DC97-15375A	5	WJ0064	6043-001093	PIN-PARALLEL(KEY); A,OD3,L40,PASS,STS204	SA	1
7-8-2	DC97-15375A	5	WD0104	DC61-01909A	HOLDER GLASS; WF8804DP,PP,T3.0,W480,L480,	SA	1
7-8-3	DC97-15375A	5	WD0130	DC61-02027A	SPRING ETC-LEVER; -,STS304,-,-,OD1.1,L15,	SA	1
7-8-4	DC97-15375A	5	WI0153	DC63-00853A	COVER HANDLE; WF8804DP,ABS,T2.5,W60,L125,	SA	1
7-8-5	DC97-15375A	5	WD0093	DC64-01524A	HANDLE DOOR; WF8804DP,ABS,T2.5,W25,L125,-	SA	1
7-8-6	DC97-15375A	5	WD0114	DC66-00497A	LEVER-DOOR; WF8804DP,ZNDC,T10,W10,L35,-,-	SA	1
8	DC97-14342Q	3	WF0006	DC97-15021A	ASSY FRAME FRONT(S); HEBA-PJT,-,-,-,DA	SA	1
8-1	DC97-15021A	4	WJ0072	6041-001035	RIVET-RH; K1661-0512,AL(A5052),OD3.9,L11,	SNA	8
8-2	DC97-15021A	4	WF0082	DC61-01916A	FRAME-FRONT; WF8804DP,EGI,-,-,WHT,T0.8,W5	SNA	1
8-3	DC97-15021A	4	WP0095	DC61-01981A	BRACKET-FRAME; WF8804DP,GI,T0.8,W20,L310,	SNA	1
9	DC90-00834A	2	WJ0008	DC91-12078D	ASSY WIRE DIAPHRAGM; HEBA-PJT,-,-,-,-	SA	1

5. Panel Control&Drawer

Exploded View



Parts List

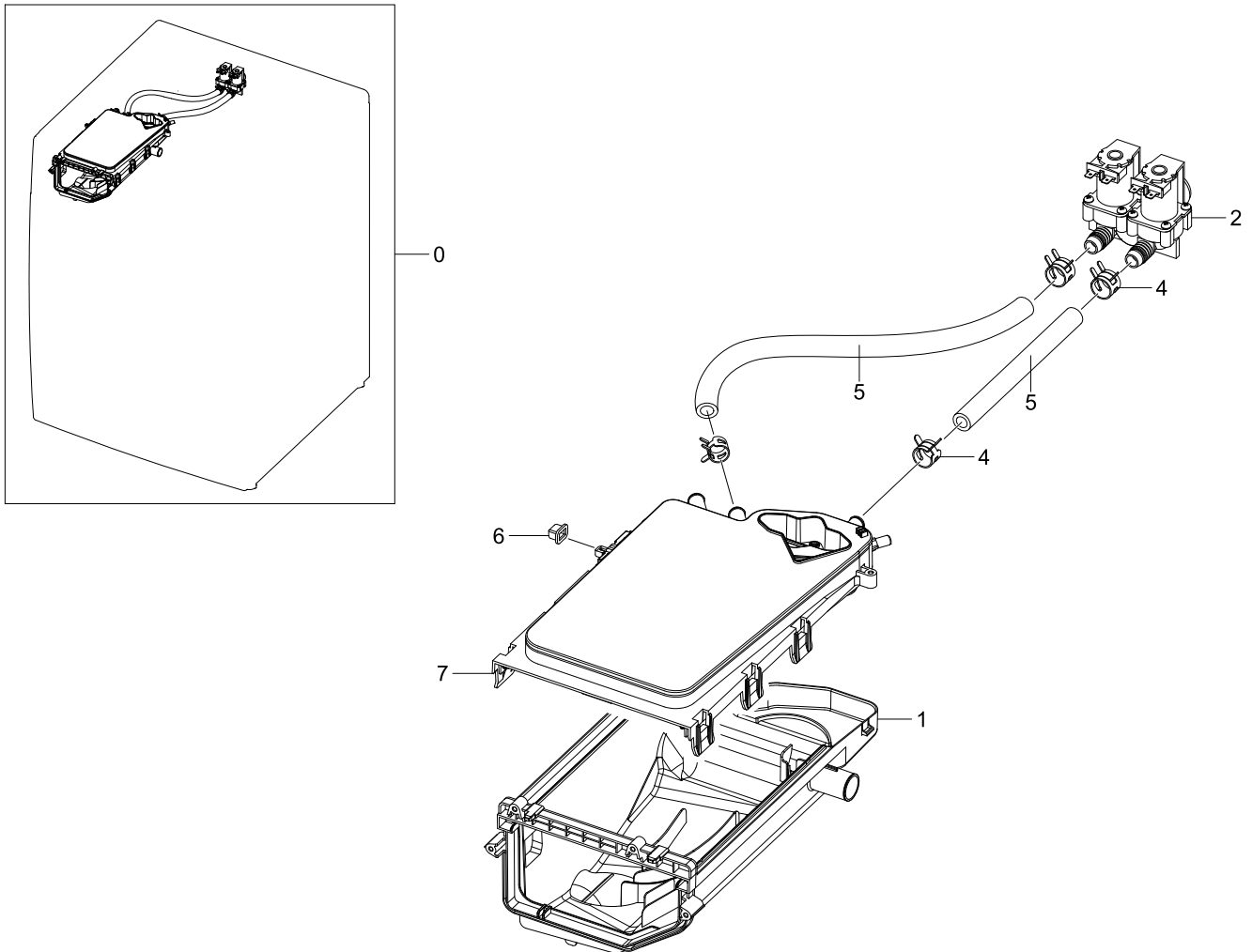
No.	Parent	Lvl.	Loc.	Material Code	Description & Specification	SNA	Qty.
1	DC90-00834A	2	WC0009	DC97-14576A	ASSY KNOB ENCODER; WF8804DP,HIGH-DESIGN/8	SA	1
1-1	DC97-14576A	3	WC0101	DC64-01534A	KNOB-ENCODER; HEBA-PJT,ABS,T2.0,PI51.0,H3	SNA	1
1-2	DC97-14576A	3	WC0077	DC64-01536A	DECORATION-ENCODER; HEBA-PJT,ALDC 8,T2.0,	SNA	1
2	DC90-00834A	2	WC0016	DC97-15370R	ASSY PANEL CONTROL; HEBA-PJT,WF8802RPF/XS	SA	1
2-1	DC97-15370R	3	WC0122	DC64-01528A	PANEL-CONTROL; HEBA-PJT,ABS,T2.5,-,-,WH	SNA	1
2-2	DC97-15370R	3	WC0053	DC64-01529A	BUTTON-PUSH(F); HEBA-PJT,ABS,-,-,WHT,SILK	SA	1
2-3	DC97-15370R	3	WC0140	DC64-01531A	WINDOW-PANEL; HEBA-PJT,ABS,T2.0,-,-,BLK	SNA	1
2-4	DC97-15370R	3	WC0135	DC64-01533A	WINDOW-ENCODER; HEBA,ABS,T2.0,-,-,BLK,H	SNA	1

Exploded Views and Parts List

No.	Parent	Lvl.	Loc.	Material Code	Description & Specification	SNA	Qty.
2-5	DC97-15370R	3	WC0059	DC64-01535A	BUTTON-RUBBER; HEBA-PJT,SILICONE,-,-,NTR,	SNA	1
3	DC90-00834A	2	WR0005	DC97-15040A	ASSY DRAWER; WF8804DP,HEBA/WHT,-,-,-	SA	1
3-1	DC97-15040A	3	WR0029	DC61-01740B	BODY-DRAWER; WF-J1254/XAA,PP(TB53),-,-,-	SA	1
3-2	DC97-15040A	3	WR0046	DC61-01741A	STOPPER-DRAWER; -,-,-,-,SGEC	SA	1
3-3	DC97-15040A	3	WC0123	DC64-01526A	PANEL-DRAWER; HEBA-PJT,ABS,T2.5,W183.8,L1	SNA	1
3-4	DC97-15040A	3	WR0038	DC64-01527A	HANDLE-DRAWER; HEBA-PJT,ABS,T2.0,-,-,-,WH	SNA	1
4	DC90-00834A	2	WZ0010	DC92-00149B	ASSY PCB MAIN; HEBA-BEST(WF8802RP),MF-HWQ	SA	1

6. Assy Housing Drawer

Exploded View

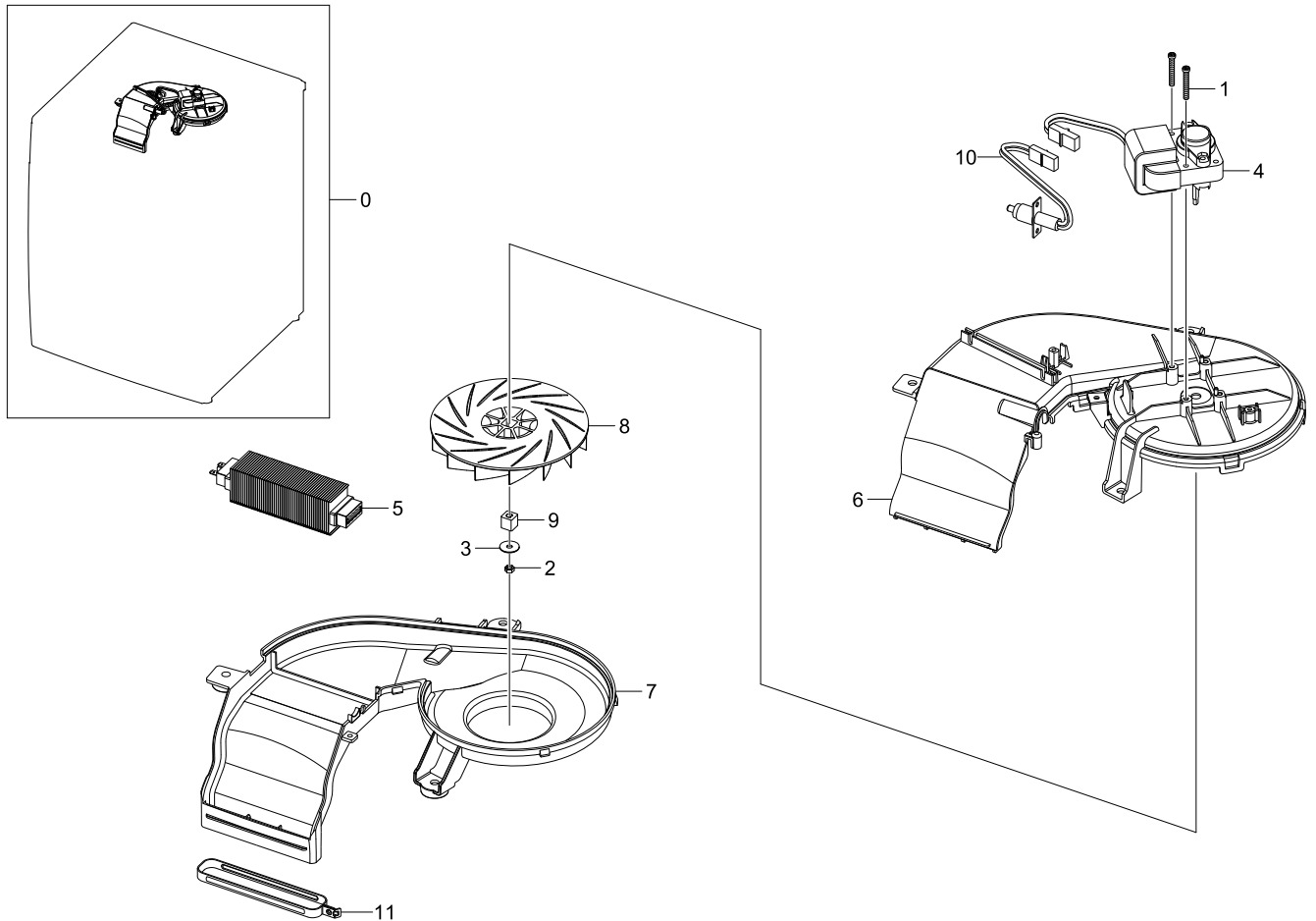


Parts List

No.	Parent	Lvl.	Loc.	Material Code	Description & Specification	SNA	Qty.
0	DC90-00186A	2	WR0008	DC97-14654B	ASSY HOUSING DRAWER; WF8804DP,HEBA-PJT/CO	SNA	1
1	DC97-14654B	3	WR0050	DC61-02434A	HOUSING-DRAWER L; HEBA-PJT,PP,T1.8,NTR	SA	1
2	DC97-14654B	3	WE5155	DC62-00024F	VALVE-WATER; B1215J,NYLON66/250TRMN,NTR,2	SC	1
4	DC97-14654B	3		DC65-00008A	CLAMPER HOSE; SEW-DR605,SK5,-,-,YEL,ID14.	SNA	4
5	DC97-14654B	3	WH5267	DC67-00051B	HOSE-DRAWER; Q1636GW/XEU,EPDM,ID9.0,OD14.	SA	0
6	DC97-14654B	3		DC67-00327A	CAP-DRAWER HOOK; HEBA-PJT,EPDM,T1.1,W13.9	SNA	1
7	DC97-14654B	3	WR0012	DC97-14656B	ASSY S.HOUSING DRAWER; HEBA-PJT,-,PP,8kg,	SA	1

7. Assy Air Wash

Exploded View



Parts List





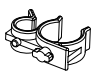



No.	Parent	Lvl.	Loc.	Material Code	Description & Specification	SNA	Qty.
0	DC90-00186A	2	WY0001	DC97-14537A	ASSY AIR WASH; WF8804DP,AIRWASH, MOTOR+PT	SA	1
1	DC97-14537A	3	WX0560	6011-001675	BOLT-ETC; M4,L32,WHT,MSWR10A, Spring Washe	SA	2
2	DC97-14537A	3	WJ0055	6021-001226	NUT-HEXAGON; 2C,M4*P0.7,WHT,MSWR10A,LEFT-	SNA	1
3	DC97-14537A	3	WJ0083	6031-001616	WASHER-PLAIN; EGI,-,ID4.5,OD16,T1.0,ZPC(W	SNA	1
4	DC97-14537A	3	WS0095	DC31-00081A	MOTOR INDUCTION-AIR WASH; HEBA Pjt,IS-321	SA	1
5	DC97-14537A	3		DC47-00028A	HEATER-PTC; J526F214P2GK,HEBA-PJT,ALUMINU	SNA	1
6	DC97-14537A	3		DC61-01955A	HOUSING-AIR WASH(U); HEBA-PJT,PP,T2.2,-,-	SNA	1

Exploded Views and Parts List

No.	Parent	Lvl.	Loc.	Material Code	Description & Specification	SNA	Qty.
7	DC97-14537A	3		DC61-01956A	HOUSING-AIR WASH(L); HEBA-PJT,PP,T2.2,-,-	SNA	1
8	DC97-14537A	3	WY0074	DC67-00299A	FAN-AIR WASH; HEBA-PJT,PP,OD65.0,NO14,T3.	SA	1
9	DC67-00299A	4	WY0053	DC61-01096B	BUSH-FAN; WF8804DP,SUS316,5,-,10.4*10.4	SNA	1
10	DC97-14537A	3	WE5184	DC90-10128K	ASSY THERMISTOR; PTM-K51F-S15,17.6K 5%	SA	1
11	DC90-00186A	2	WJ0041	DC66-00504A	JOINT-DIAPHRAGM; WF8804DP,EGI,-,-,T1.0,11	SA	1

8. Small Parts

Exploded View

							
1	2	3	4	5	6	7	8

Parts List

No.	Parent	Lvl.	Loc.	Material Code	Description & Specification	SNA	Qty.
2	DC90-01397A	2	WI0293	DC61-01736B	HOLDER-WIRE; WF337AAW,NYLON66,OD31,H15,L1	SNA	1
3	DC90-01397A	2	WI0293	DC61-40081A	HOLDER-WIRE; DAWH-2NC,PA,NTR(PI18.5)	SA	3
4	DC90-01397A	2	WI0293	DC61-40083A	HOLDER-WIRE; DAWH-3ND,NYLON,NTR(PI25)/NYL	SNA	1
5	DC90-01397A	2		DC61-00133A	CLAMPER HOSE-FIX; P1291,PP,ID24.5,OD29.5,	SNA	1
6	DC90-00244A	2		6502-000127	CABLE CLAMP; DAWH-18NB,ID15,-,NYLON66,NTR	SNA	1
7	DC90-01397A	2		DC61-00118A	CLAMPER HOSE-FIX; P1291,NYLON66,ID27,OD30	SNA	1
8	DC90-01397A	2	WI0293	DC61-60074A	HOLDER-WIRE; -,NYLON#66(DAWS-6NB)-,-,-,N	SA	5