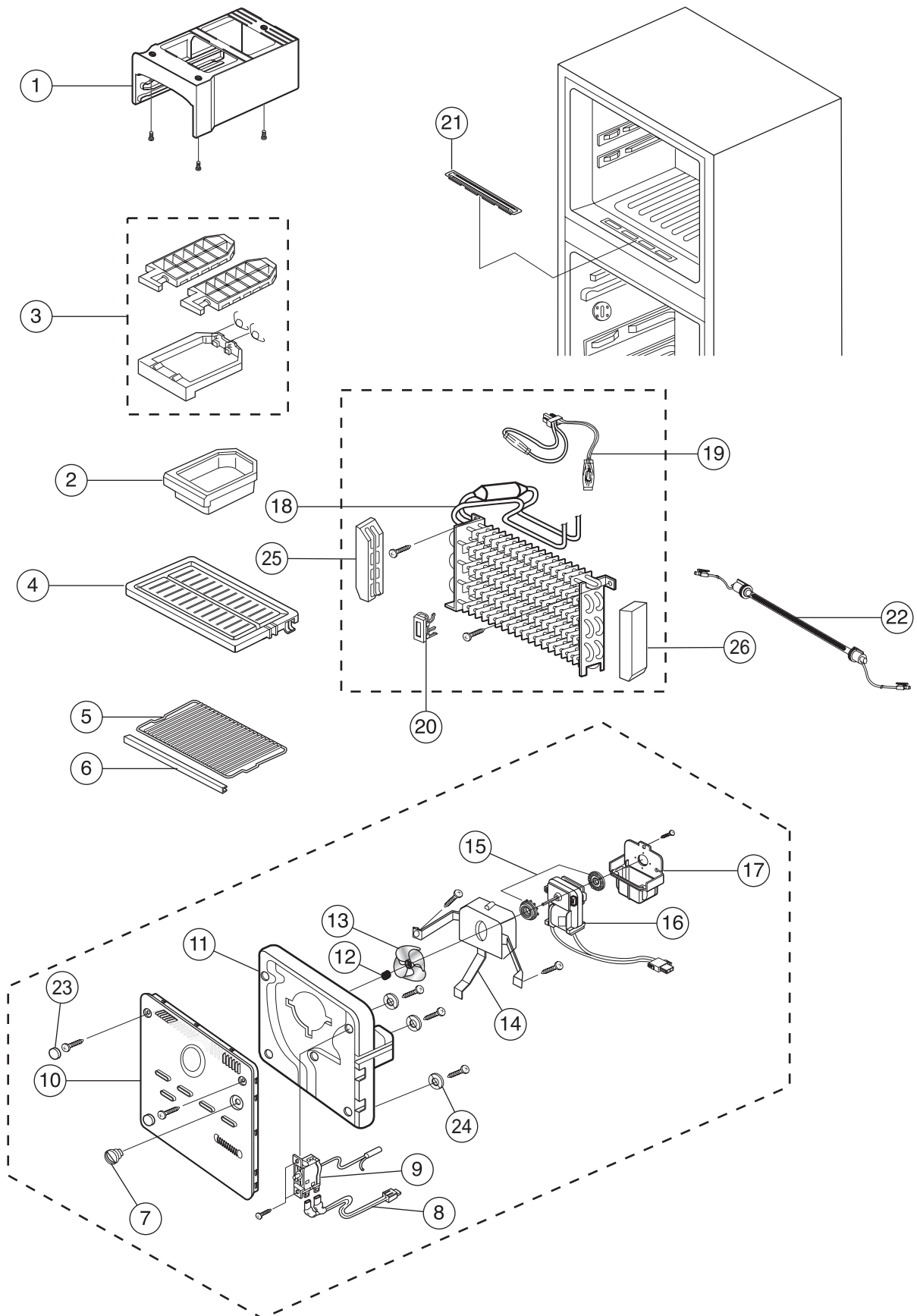


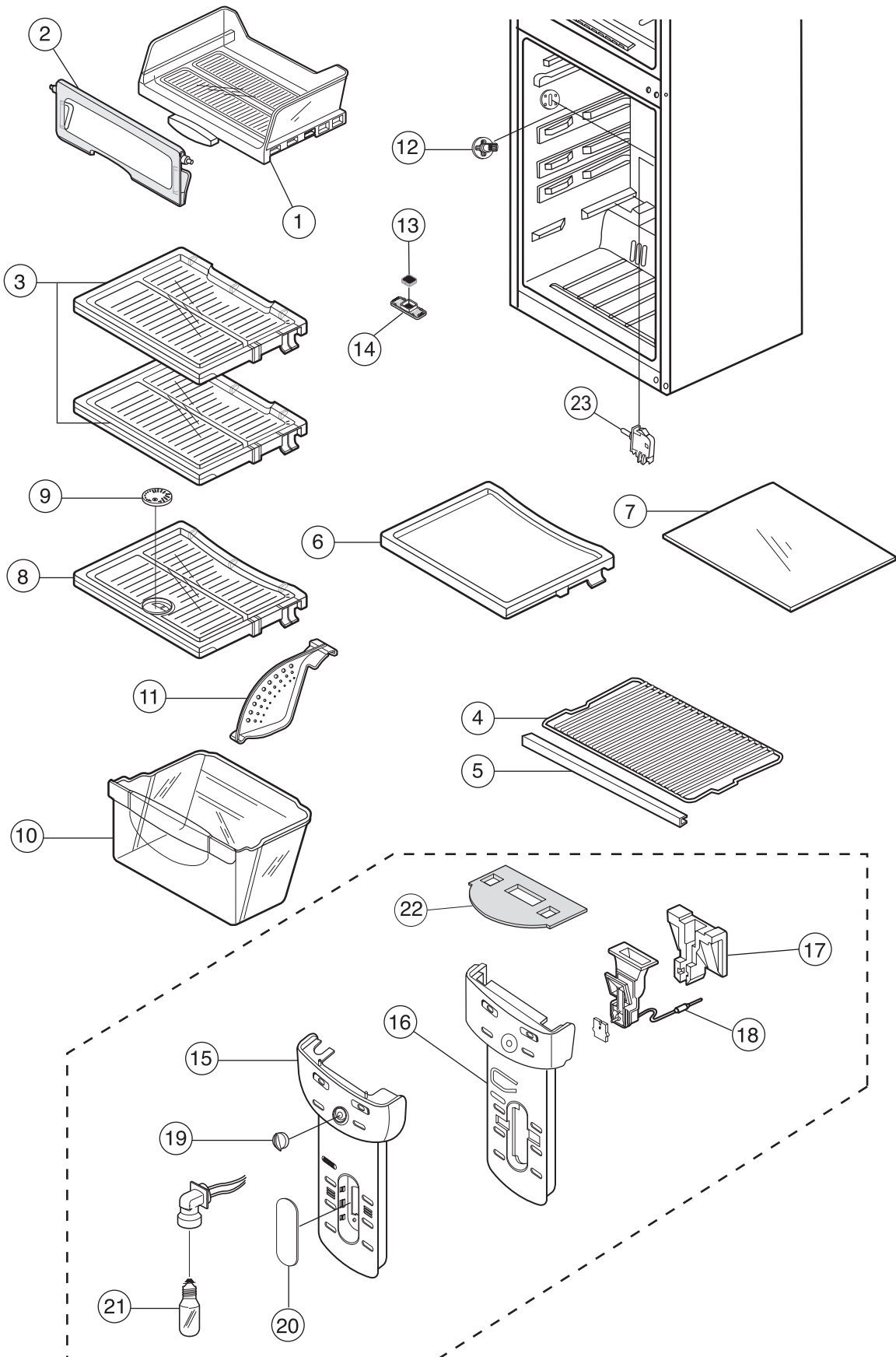
11. Exploded View & Parts List

11-1. Freezing compartment



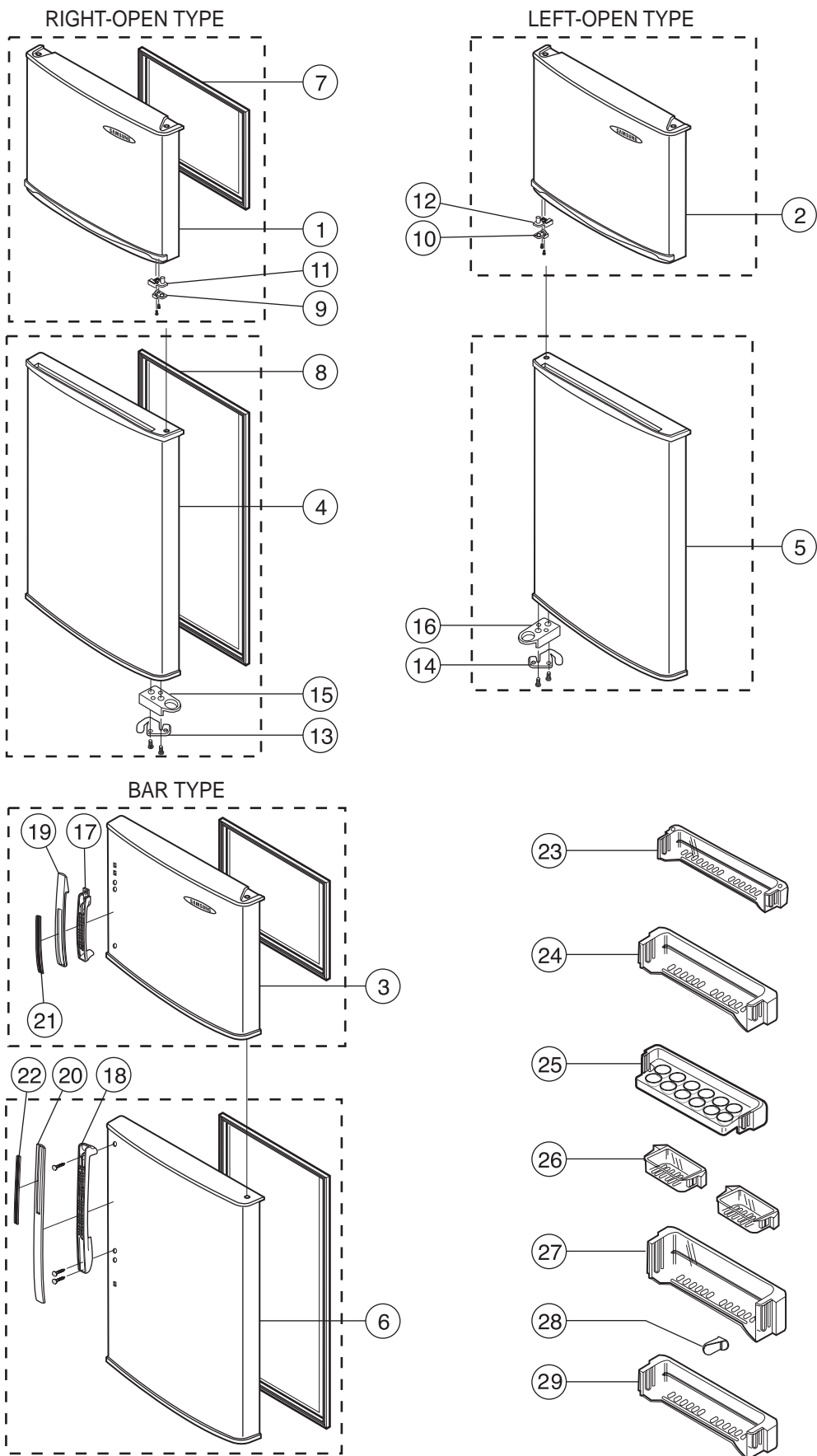
No	Code-no	Items	Specifications	110/60Hz			127V/60Hz			220V/50~60Hz			240V/50Hz		
				RT-30	RT-34	RT-37	RT-30	RT-34	RT-37	RT-30	RT-34	RT-37	RT-30	RT-34	RT-37
1	DA61-00740A	SUPT-TRAY ICE	HIPS	1	1	1	1	1	1	1	1	1	1	1	1
2	DA67-40328A	TRAY-ICE CUBE	GPPS	1	1	1	1	1	1	1	1	1	1	1	1
3	DA67-00469C	CASE-TRAY ICE ASSY	RT-30-37	1	1	1	1	1	1	1	1	1	1	1	1
4	DA67-00677A	SHELF-FRE	GPPS,RT-30/34	1	1	-	1	1	-	1	1	-	1	1	-
	DA67-00678A	SHELF-FRE	GPPS,RT-37	-	-	1	-	-	1	-	-	1	-	-	1
5	DA67-00679A	SHELF-WIRE FRE	MSWR10,RT-30/34	1	1	-	1	1	-	1	1	-	1	1	-
	DA67-00679C	SHELF-WIRE FRE	MSWR10,RT-37	-	-	1	-	-	1	-	-	1	-	-	1
6	DA64-00588A	TRIM-SHELF FRE	PVC	1	1	1	1	1	1	1	1	1	1	1	1
7	DA64-00581A	KNOB-TEMP CONTROL	ABS	1	1	1	1	1	1	1	1	1	1	1	1
8	DA39-20410A	WIRE-HARNESS THERMO	110V240V	1	1	1	1	1	1	1	1	1	1	1	1
9	DA47-10107R	F-THERMO	RT-30-37,PFN-C174S-03E B	1	1	1	1	1	1	1	1	1	1	1	1
10	DA63-01117A	COVER-EVAP FRONT	PP	1	1	1	1	1	1	1	1	1	1	1	1
11	DA62-00193A	COVER-EVAP REAR	FOAM-PS	1	1	1	1	1	1	1	1	1	1	1	1
12	DA61-20149A	SPRING-FAN	STS27WR	1	1	1	1	1	1	1	1	1	1	1	1
13	DA31-20138A	FAN	ABS	1	1	1	1	1	1	1	1	1	1	1	1
14	DA71-50233A	BRACKET-MOTOR	ABS	1	1	1	1	1	1	1	1	1	1	1	1
15	DA63-40289A	GROMMET-FAN MOTOR	NBR	2	2	2	2	2	2	2	2	2	2	2	2
16	DA31-10109H	MOTOR-FAN	110-127V/60Hz,IS-3210SNH6A	1	1	1	1	1	1	-	-	-	-	-	-
	DA31-10109G	MOTOR-FAN	220V/50-60Hz,IS-3210SNF7A	-	-	-	-	-	-	1	1	1	-	-	-
	DA31-10109J	MOTOR-FAN	240V/50Hz,IS-3210SNL5A	-	-	-	-	-	-	-	-	-	1	1	1
17	DA63-11051A	COVER-MOTOR	PP	1	1	1	1	1	1	1	1	1	1	1	1
18	DA59-00263A	EVAPAPORTOR	RT-30-37	1	1	1	1	1	1	1	1	1	1	1	1
19	DA47-10150E	THERMO-BIMETAL ASSY	125/250V,EXP	1	1	1	1	1	1	1	1	1	1	1	1
20	DA71-20265A	FIXER-THERMO FUSE	PP	1	1	1	1	1	1	1	1	1	1	1	1
21	DA63-01128A	COVER-AIR COLD	PP	1	1	1	1	1	1	1	1	1	1	1	1
22	DA47-00109D	HEATER-DEFROST	110V,GLASS	1	1	1	-	-	-	-	-	-	-	-	-
	DA47-00109C	HEATER-DEFROST	127V,GLASS	-	-	-	1	1	1	-	-	-	-	-	-
	DA47-00109B	HEATER-DEFROST	220V,GLASS	-	-	-	-	-	-	1	1	1	-	-	-
	DA47-00109A	HEATER-DEFROST	240V,GLASS	-	-	-	-	-	-	-	-	-	1	1	1
23	DA67-00668A	CAP-SCREW	PP	2	2	2	2	2	2	2	2	2	2	2	2
24	DA60-00050A	FASTENER-WASHER	RD-PVC	3	3	3	3	3	3	3	3	3	3	3	3
25	DA62-00268A	INS-SIDE EVAP,L	FOAM-PS	1	1	1	1	1	1	1	1	1	1	1	1
26	DA62-00269A	INS-SIDE EVAP,R	FOAM-PS	1	1	1	1	1	1	1	1	1	1	1	1

11-2. Refrigerating compartment



No	Code-no	Items	Specifications	110/60Hz			127V/60Hz			220V/50~60Hz			240V/50Hz		
				RT-30	RT-34	RT-37	RT-30	RT-34	RT-37	RT-30	RT-34	RT-37	RT-30	RT-34	RT-37
1	DA63-01127A	TRAY-CHILLED ROOM	GPPS	1	1	1	1	1	1	1	1	1	1	1	1
2	DA63-01131A	COVER-CHILLED ROOM	GPPS	1	1	1	1	1	1	1	1	1	1	1	1
3	DA67-00674A	SHELF-REF	GPPS,RT-30/34	2	2	-	2	2	-	2	2	-	2	2	-
	DA67-00675A	SHELF-REF	GPPS,RT-37	-	-	2	-	-	2	-	-	2	-	-	2
4	DA67-00679B	SHELF-WIRE REF	MSWR10,RT-30/34	2	2	-	2	2	-	2	2	-	2	2	-
	DA67-00679D	SHELF-WIRE REF	MSWR10,RT-37	-	-	2	-	-	2	-	-	2	-	-	2
5	DA67-00588B	TRIM-SHELF REF	PVC	2	2	2	2	2	2	2	2	2	2	2	2
6	DA67-00808A	SHELF-GLASS REF	GLASS, RT-30/34	2	2	-	2	2	-	2	2	-	2	2	-
	DA67-00809A	SHELF-GLASS REF	GLASS,RT-37	-	-	2	-	-	2	-	-	2	-	-	2
7	DA64-00777A	GLASS SHELF	GPPS,RT-30/34	2	2	-	2	2	-	2	2	-	2	2	-
	DA64-00777B	GLASS SHELF	GPPS,RT-37	-	-	2	-	-	2	-	-	2	-	-	2
8	DA67-00676A	SHELF-REF LOW	GPPS,RT-30/34	1	1	-	1	1	-	1	1	-	1	1	-
	DA67-00681A	SHELF-REF LOW	GPPS,RT-37	-	-	1	-	-	1	-	-	1	-	-	1
9	DA64-00582A	KNOB-MOIS CONTROL	PP	1	1	1	1	1	1	1	1	1	1	1	1
10	DA61-00593A	CASE-VEGETABLE	GPPS,RT-30/34	1	1	-	1	1	-	1	1	-	1	1	-
	DA61-00594A	CASE-VEGETABLE	GPPS,RT-37	-	-	1	-	-	1	-	-	1	-	-	1
11	DA61-00582A	GUIDE-VEGETABLE	PP	1	1	1	1	1	1	1	1	1	1	1	1
12	DA63-01122A	COVER-SIDE AIR	ABS	2	2	2	2	2	2	2	2	2	2	2	2
13	DA02-90106K	CATALYST-LTC	LTC,SS-400	1	1	1	1	1	1	1	1	1	1	1	1
14	DA63-01119A	COVER-PURIFIER	PP	1	1	1	1	1	1	1	1	1	1	1	1
15	DA63-01118A	COVER-DAMPER REF	PP	1	1	1	1	1	1	1	1	1	1	1	1
16	DA62-00201A	INS-DAMPER A	FOAM-PS	1	1	1	1	1	1	1	1	1	1	1	1
17	DA62-00202A	INS-DAMPER B	FOAM-PS	1	1	1	1	1	1	1	1	1	1	1	1
18	DA67-10264B	CASE-THERMO ASSY	D705-E9C(PCC)	1	1	1	1	1	1	1	1	1	1	1	1
19	DA64-00581A	KNOB-TEMP CONTROL	ABS	1	1	1	1	1	1	1	1	1	1	1	1
20	DA63-01121A	COVER-LAMP REF	GPPS+HIPS	1	1	1	1	1	1	1	1	1	1	1	1
21	4713-000213	LAMP-INCANDESENT	220~240V,15W	-	-	-	-	-	-	1	1	1	1	1	1
	4713-001035	LAMP-INCANDESENT	110~130V,15W	1	1	1	1	1	1	-	-	-	-	-	-
22	DA62-00297C	SEAL-DAMPER AIR	OJC3000,GRAY,T10	1	1	1	1	1	1	1	1	1	1	1	1
23	DA34-10108D	SWITCH-DOOR	300V/125V,SSD-5	1	1	1	1	1	1	1	1	1	1	1	1

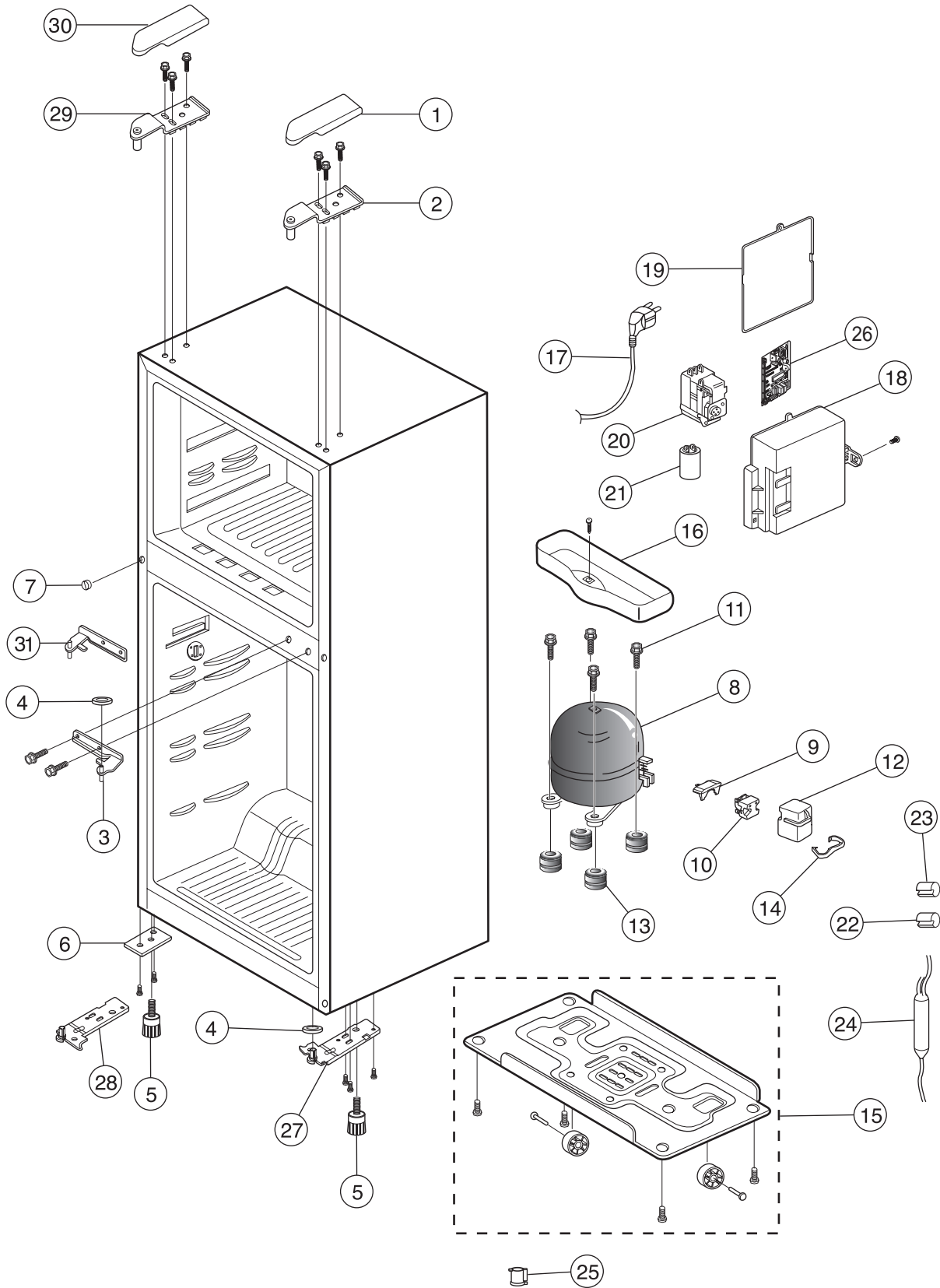
11-3. Door parts



No	Code-no	Items	Specifications	RT-30				RT-34				RT-37			
				S/W	M/G	S/S	S/B	S/W	M/G	S/S	S/B	S/W	M/G	S/S	S/B
1	DA91-01637A	ASSY-DOOR FOAM FRE(H)	RT-30-37,R-TYPE,S/W	1	-	-	-	1	-	-	-	1	-	-	-
	DA91-01637B	ASSY-DOOR FOAM FRE(H)	RT-30-37,R-TYPE,M/G	-	1	-	-	-	1	-	-	-	1	-	-
	DA91-01637C	ASSY-DOOR FOAM FRE(H)	RT-30-37,R-TYPE,S/S	-	-	1	-	-	-	1	-	-	-	1	-
	DA91-01637D	ASSY-DOOR FOAM FRE(H)	RT-30-37,R-TYPE,S/B	-	-	-	1	-	-	-	1	-	-	-	1
2	DA91-01637E	ASSY-DOOR FOAM FRE(H)	RT-30-37,L-TYPE,S/W	1	-	-	-	1	-	-	-	1	-	-	-
	DA91-01637F	ASSY-DOOR FOAM FRE(H)	RT-30-37,L-TYPE,M/G	-	1	-	-	-	1	-	-	-	1	-	-
	DA91-01637G	ASSY-DOOR FOAM FRE(H)	RT-30-37,L-TYPE,S/S	-	-	1	-	-	-	1	-	-	-	1	-
	DA91-01637H	ASSY-DOOR FOAM FRE(H)	RT-30-37,L-TYPE,S/B	-	-	-	1	-	-	-	1	-	-	-	1
3	DA91-01637J	ASSY-DOOR FOAM FRE(V)	RT-30-37,S/W	1	-	-	-	1	-	-	-	1	-	-	-
	DA91-01637K	ASSY-DOOR FOAM FRE(V)	RT-30-37,M/G	-	1	-	-	-	1	-	-	-	1	-	-
	DA91-01637L	ASSY-DOOR FOAM FRE(V)	RT-30-37,S/S	-	-	1	-	-	-	1	-	-	-	1	-
	DA91-01637M	ASSY-DOOR FOAM FRE(V)	RT-30-37,S/B	-	-	-	1	-	-	-	1	-	-	-	1
4	DA91-01637N	ASSY-DOOR FOAM REF(H)	RT-30,R-TYPE,S/W	1	-	-	-	-	-	-	-	-	-	-	-
	DA91-01637P	ASSY-DOOR FOAM REF(H)	RT-30,R-TYPE,M/G	-	1	-	-	-	-	-	-	-	-	-	-
	DA91-01637Q	ASSY-DOOR FOAM REF(H)	RT-30,R-TYPE,S/S	-	-	1	-	-	-	-	-	-	-	-	-
	DA91-01637R	ASSY-DOOR FOAM REF(H)	RT-30,R-TYPE,S/B	-	-	-	1	-	-	-	-	-	-	-	-
	DA91-01637W	ASSY-DOOR FOAM REF(H)	RT-34/37,R-TYPE,S/W	-	-	-	-	1	-	-	-	1	-	-	-
	DA91-01637X	ASSY-DOOR FOAM REF(H)	RT-34/37,R-TYPE,M/G	-	-	-	-	-	1	-	-	-	1	-	-
	DA91-01637Y	ASSY-DOOR FOAM REF(H)	RT-34/37,R-TYPE,S/S	-	-	-	-	-	-	1	-	-	-	1	-
	DA91-01637Z	ASSY-DOOR FOAM REF(H)	RT-34/37,R-TYPE,S/B	-	-	-	-	-	-	-	1	-	-	-	1
5	DA91-01637S	ASSY-DOOR FOAM REF(H)	RT-30,L-TYPE,S/W	1	-	-	-	-	-	-	-	-	-	-	-
	DA91-01637T	ASSY-DOOR FOAM REF(H)	RT-30,L-TYPE,M/G	-	1	-	-	-	-	-	-	-	-	-	-
	DA91-01637U	ASSY-DOOR FOAM REF(H)	RT-30,L-TYPE,S/S	-	-	1	-	-	-	-	-	-	-	-	-
	DA91-01637V	ASSY-DOOR FOAM REF(H)	RT-30,L-TYPE,S/B	-	-	-	1	-	-	-	-	-	-	-	-
	DA91-01638A	ASSY-DOOR FOAM REF(H)	RT-34/37,L-TYPE,S/W	-	-	-	-	1	-	-	-	1	-	-	-
	DA91-01638B	ASSY-DOOR FOAM REF(H)	RT-34/37,L-TYPE,M/G	-	-	-	-	-	1	-	-	-	1	-	-
	DA91-01638C	ASSY-DOOR FOAM REF(H)	RT-34/37,L-TYPE,S/S	-	-	-	-	-	-	1	-	-	-	1	-
	DA91-01638D	ASSY-DOOR FOAM REF(H)	RT-34/37,L-TYPE,S/B	-	-	-	-	-	-	-	1	-	-	-	1
6	DA91-01638E	ASSY-DOOR FOAM REF(V)	RT-30,S/W	1	-	-	-	-	-	-	-	-	-	-	-
	DA91-01638F	ASSY-DOOR FOAM REF(V)	RT-30,M/G	-	1	-	-	-	-	-	-	-	-	-	-
	DA91-01638G	ASSY-DOOR FOAM REF(V)	RT-30,S/S	-	-	1	-	-	-	-	-	-	-	-	-
	DA91-01638H	ASSY-DOOR FOAM REF(V)	RT-30,S/B	-	-	-	1	-	-	-	-	-	-	-	-
	DA91-01638J	ASSY-DOOR FOAM REF(V)	RT-34/37,S/W	-	-	-	-	1	-	-	-	1	-	-	-
	DA91-01638K	ASSY-DOOR FOAM REF(V)	RT-34/37,M/G	-	-	-	-	-	1	-	-	-	1	-	-
	DA91-01638L	ASSY-DOOR FOAM REF(V)	RT-34/37,S/S	-	-	-	-	-	-	1	-	-	-	1	-

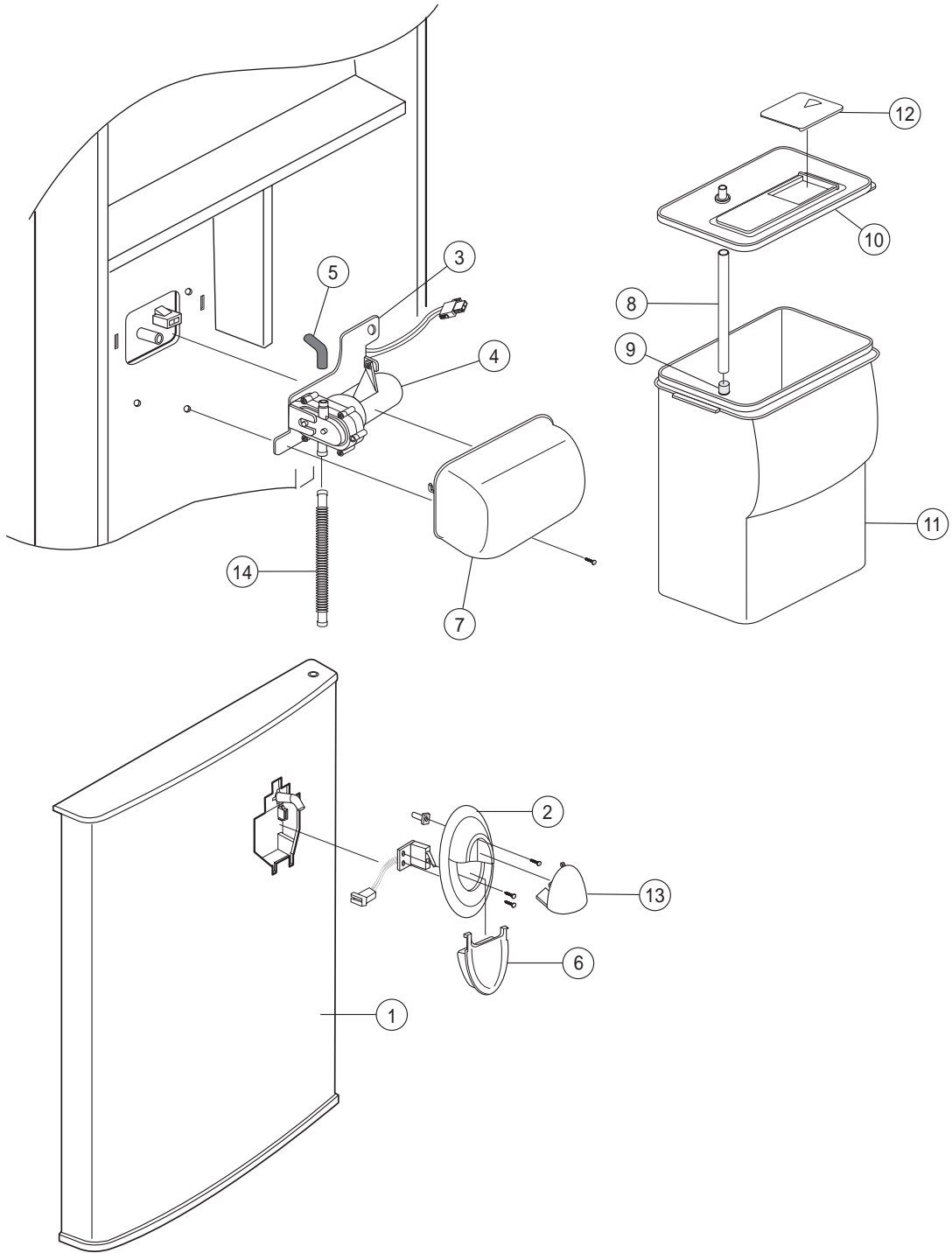
No	Code-no	Items	Specifications	RT-30				RT-34				RT-37			
				S/W	M/G	S/S	S/B	S/W	M/G	S/S	S/B	S/W	M/G	S/S	S/B
6	DA91-01638M	ASSY-DOOR FOAM REF(V)	RT-34/37,STAINLESS BLUE	-	-	-	-	-	-	-	1	1	-	-	1
7	DA63-30256D	GASKET-DOOR FRE	RT-30-37	1	1	1	1	1	1	1	1	1	1	1	1
8	DA63-30256F	GASKET-DOOR REF	RT-30	1	1	1	1	-	-	-	-	-	-	-	1
	DA63-30256E	GASKET-DOOR REF	SR-34/37	-	-	-	-	1	1	1	1	1	1	1	1
9	DA71-40185A	STOPPER-DOOR,C(R)	SCP1	1	1	1	1	1	1	1	1	1	1	1	1
10	DA61-40185B	STOPPER-DOOR,C(L)	SCP1	1	1	1	1	1	1	1	1	1	1	1	1
11	DA71-40186A	STOPPER-DOOR FRE,A(R)	POM	1	1	1	1	1	1	1	1	1	1	1	1
12	DA61-00588A	STOPPER-DOOR FRE,A(L)	POM	1	1	1	1	1	1	1	1	1	1	1	1
13	DA61-00589A	STOPPER-DOOR LOW,A(R)	POM	1	1	1	1	1	1	1	1	1	1	1	1
14	DA61-00590A	STOPPER-DOOR LOW,A(L)	POM	1	1	1	1	1	1	1	1	1	1	1	1
15	DA61-00576A	STOPPER-DOOR LOW B(R)	SCP1	1	1	1	1	1	1	1	1	1	1	1	1
16	DA61-00577A	STOPPER-DOOR LOW B(L)	SCP1	1	1	1	1	1	1	1	1	1	1	1	1
17	DA61-00738B	BASE-HANDLE FRE	ABS,SNOW WHITE	1	1	1	1	1	1	1	1	1	1	1	1
	DA61-00738A	BASE-HANDLE FRE	ABS,METAL MID GRAY	1	1	1	1	1	1	1	1	1	1	1	1
	DA61-00738C	BASE-HANDLE FRE	ABS,STAINLESS SILVER	1	1	1	1	1	1	1	1	1	1	1	1
	DA61-00738D	BASE-HANDLE FRE	ABS,STAINLESS BLUE	1	1	1	1	1	1	1	1	1	1	1	1
18	DA61-00739B	BASE-HANDLE REF	ABS,SNOW WHITE	1	1	1	1	1	1	1	1	1	1	1	1
	DA61-00739A	BASE-HANDLE REF	ABS,METAL MID GRAY	1	1	1	1	1	1	1	1	1	1	1	1
	DA61-00739C	BASE-HANDLE REF	ABS,STAINLESS SILVER	1	1	1	1	1	1	1	1	1	1	1	1
	DA61-00739D	BASE-HANDLE REF	ABS,STAINLESS BLUE	1	1	1	1	1	1	1	1	1	1	1	1
19	DA67-00741B	CAP-HANDLE FRE	ABS,SNOW WHITE	1	1	1	1	1	1	1	1	1	1	1	1
	DA67-00741A	CAP-HANDLE FRE	ABS,METAL MID GRAY	1	1	1	1	1	1	1	1	1	1	1	1
	DA67-00741C	CAP-HANDLE FRE	ABS,STAINLESS SILVER	1	1	1	1	1	1	1	1	1	1	1	1
	DA67-00741D	CAP-HANDLE FRE	ABS,STAINLESS BLUE	1	1	1	1	1	1	1	1	1	1	1	1
20	DA67-00742B	CAP-HANDLE REF	ABS,SNOW WHITE	1	1	1	1	1	1	1	1	1	1	1	1
	DA67-00742A	CAP-HANDLE REF	ABS,METAL MID GRAY	1	1	1	1	1	1	1	1	1	1	1	1
	DA67-00742C	CAP-HANDLE REF	ABS,STAINLESS SILVER	1	1	1	1	1	1	1	1	1	1	1	1
	DA67-00742D	CAP-HANDLE REF	ABS,STAINLESS BLUE	1	1	1	1	1	1	1	1	1	1	1	1
21	DA64-00645A	TRIM-HANDLE FRE	ABS,A-HDL,ALL	1	1	1	1	1	1	1	1	1	1	1	1
22	DA64-00646A	TRIM-HANDLE REF	ABS,A-HDL,ALL	1	1	1	1	1	1	1	1	1	1	1	1
23	DA63-01126A	GUARD-FRE UPP	GPPS	1	1	1	1	1	1	1	1	1	1	1	1
24	DA63-01125A	GUARD-FRE LOW	GPPS	1	1	1	1	1	1	1	1	1	1	1	1
25	DA63-01130A	GUARD-EGG	GPPS	1	1	1	1	1	1	1	1	1	1	1	1
26	DA63-01124A	GUARD-VARIETY	GPPS	2	2	2	2	2	2	2	2	2	2	2	2
27	DA63-01123A	GUARD-BOTTLE	GPPS	1	1	1	1	1	1	1	1	1	1	1	1
28	DA61-00585A	GUIDE-BOTTLE	GPPS	1	1	1	1	1	1	1	1	1	1	1	1
29	DA63-00125B	GUARD-FRE LOW	GPPS	1	1	1	1	1	1	1	1	1	1	1	1

11-4. Cabinet Parts & Unit



No	Code-no	Items	Specifications	110/60Hz				127V/60Hz				220V/50~60Hz				240V/50Hz			
				S/W	M/G	S/S	S/B	S/W	M/G	S/S	S/B	S/W	M/G	S/S	S/B	S/W	M/G	S/S	S/B
1	DA63-11046D	CAP-HINGE UPP	HIPS,S/W,DISPENSER	1	-	-	-	1	-	-	-	1	-	-	-	1	-	-	-
	DA63-11046A	CAP-HINGE UPP	HIPS,M/G,DISPENSER	-	1	-	-	-	1	-	-	-	1	-	-	-	1	-	-
	DA67-00360E	CAP-HINGE UPP	HIPS,S/S,DISPENSER	-	-	1	-	-	-	1	-	-	-	1	-	-	-	1	-
	DA67-00360F	CAP-HINGE UPP	HIPS,S/B,DISPENSER	-	-	-	1	-	-	-	1	-	-	-	1	-	-	-	1
2	DA61-00219A	HINGE-UPP ASSY	RT-30~37	1	1	1	1	1	1	1	1	1	1	1	1	1	1	1	1
3	DA61-00220A	HINGE-MID ASSY	RT-30~37	1	1	1	1	1	1	1	1	1	1	1	1	1	1	1	1
4	DA60-40127A	WASHER	NY88	2	2	2	2	2	2	2	2	2	2	2	2	2	2	2	2
5	DA61-00583A	FOOT-FRONT	PP	2	2	2	2	2	2	2	2	2	2	2	2	2	2	2	2
6	DA61-00567A	SUPPORT-FOOT	SHP1	1	1	1	1	1	1	1	1	1	1	1	1	1	1	1	1
7	DA67-00668A	CAP-SCREW	PP,SNOW WHITE	1	-	-	-	1	-	-	-	1	-	-	-	1	-	-	-
	DA67-00668B	CAP-SCREW	PP,METAL MID GRAY	-	1	-	-	-	1	-	-	-	1	-	-	-	1	-	-
	DA67-00668C	CAP-SCREW	PP,STAINLESS SILVER	-	-	1	-	-	-	1	-	-	-	1	-	-	-	1	-
	DA67-00668D	CAP-SCREW	PP,STAINLESS BLUE	-	-	-	1	-	-	-	1	-	-	-	1	-	-	-	1
8	DA59-00276A	COMPRESSOR	SK170K-T1U/T3,220V/50Hz	-	-	-	-	-	-	-	-	1	1	1	1	-	-	-	-
	DA59-00277A	COMPRESSOR	DK172Q-L1U/T3,240V/50Hz	-	-	-	-	-	-	-	-	-	-	-	-	1	1	1	1
	DA59-00279A	COMPRESSOR	SD162H-L1U/T3,220V/50~60Hz	-	-	-	-	-	-	-	-	1	1	1	1	-	-	-	-
	DA59-00280A	COMPRESSOR	SD162P-L1U/T3,127V/60Hz	-	-	-	-	1	1	1	1	-	-	-	-	-	-	-	-
	DA59-00278A	COMPRESSOR	SD162C-L1U/T3,115V/60Hz	1	1	1	1	-	-	-	-	-	-	-	-	-	-	-	-
9	DA34-10003V	O/L PROTECTOR	220V/50~60Hz,4TM265RHBYY-53	-	-	-	-	-	-	-	-	-	-	-	-	1	1	1	1
	DA34-10003K	O/L PROTECTOR	240V/50Hz,4TM232SHBYY-53	-	-	-	-	-	-	-	-	1	1	1	1	-	-	-	-
	DA34-10004G	O/L PROTECTOR	127V/60Hz,4TM419NHBYY-53	-	-	-	-	1	1	1	1	-	-	-	-	-	-	-	-
	DA34-10003R	O/L PROTECTOR	115V/60Hz,4TM427PHBYY-53	1	1	1	1	-	-	-	-	-	-	-	-	-	-	-	-
10	DA35-10013B	RELAY-PTC	220~240V,J531Q35E330M385-2	-	-	-	-	-	-	-	-	1	1	1	1	1	1	1	1
	DA35-10013N	RELAY-PTC	115~127V,J531Q33E100M200-2	1	1	1	1	1	1	1	1	-	-	-	-	-	-	-	-
11	DA60-20008A	BOLT-HEX	SM30C,L42.6	4	4	4	4	4	4	4	4	4	4	4	4	4	4	4	4
12	DA63-10352A	COVER-RELAY	PP,HOOK-TYPE	1	1	1	1	1	1	1	1	1	1	1	1	-	-	-	-
	DA63-10722A	COVER-RELAY	PP,V451	-	-	-	-	-	-	-	-	1	1	1	1	1	1	1	1
13	DA63-40004A	GROMMET-COMP	NBR,BLACK	4	4	4	4	4	4	4	4	4	4	4	4	4	4	4	4
14	DA65-20113A	CLAMP-COVER RELAY	SK,T0.5	1	1	1	1	1	1	1	1	1	1	1	1	-	-	-	-
15	DA64-00592A	CHASSIS-COMP ASSY	SBHG1, ASSY	1	1	1	1	1	1	1	1	1	1	1	1	1	1	1	1
16	DA91-01511X	T/D WATER ASSY	RT-30~37, ASSY	1	1	1	1	1	1	1	1	1	1	1	1	1	1	1	1
17	DA39-10110D	CBF-POWER	UCP2	-	-	-	-	-	-	-	-	-	-	-	-	1	1	1	1
	DA39-10164E	CBF-POWER	BF3	-	-	-	-	-	-	-	-	-	-	-	-	1	1	1	1
	DA39-10102E	CBF-POWER	EP2	1	1	1	1	1	1	1	1	1	1	1	1	-	-	-	-
	DA39-10165D	CBF-POWER	SPT3	1	1	1	1	1	1	1	1	-	-	-	-	-	-	-	-

11-5. Assy-water dispenser parts



No	Code-no	Items	Specifications	RT-30				RT-34				RT-37			
				S/W	M/G	S/S	S/B	S/W	M/G	S/S	S/B	S/W	M/G	S/S	S/B
1	DA91-01638N	ASSY-DOOR FOAM REF(H)	RT-30,R-TYPE,S/W,DISPENSER	1	-	-	-	-	-	-	-	-	-	-	-
	DA91-01638P	ASSY-DOOR FOAM REF(H)	RT-30,R-TYPE,M/G,DISPENSER	-	1	-	-	-	-	-	-	-	-	-	-
	DA91-01638Q	ASSY-DOOR FOAM REF(H)	RT-30,R-TYPE,S/S,DISPENSER	-	-	1	-	-	-	-	-	-	-	-	-
	DA91-01638R	ASSY-DOOR FOAM REF(H)	RT-30,R-TYPE,S/B,DISPENSER	-	-	-	1	-	-	-	-	-	-	-	-
	DA91-01638S	ASSY-DOOR FOAM REF(H)	RT-34,R-TYPE,S/W,DISPENSER	-	-	-	-	1	-	-	-	-	-	-	-
	DA91-01638T	ASSY-DOOR FOAM REF(H)	RT-34,R-TYPE,M/G,DISPENSER	-	-	-	-	-	1	-	-	-	-	-	-
	DA91-01638U	ASSY-DOOR FOAM REF(H)	RT-34,R-TYPE,S/S,DISPENSER	-	-	-	-	-	-	1	-	-	-	-	-
	DA91-01638V	ASSY-DOOR FOAM REF(H)	RT-34,R-TYPE,S/B,DISPENSER	-	-	-	-	-	-	-	1	-	-	-	-
	DA91-01638W	ASSY-DOOR FOAM REF(V)	RT-30,S/W,DISPENSER	1	-	-	-	-	-	-	-	-	-	-	-
	DA91-01638X	ASSY-DOOR FOAM REF(V)	RT-30,M/G,DISPENSER	-	1	-	-	-	-	-	-	-	-	-	-
	DA91-01638Y	ASSY-DOOR FOAM REF(V)	RT-30,S/S,DISPENSER	-	-	1	-	-	-	-	-	-	-	-	-
	DA91-01638Z	ASSY-DOOR FOAM REF(V)	RT-30,S/B,DISPENSER	-	-	-	1	-	-	-	-	-	-	-	-
	DA91-01639A	ASSY-DOOR FOAM REF(V)	RT-34,S/W,DISPENSER	-	-	-	-	1	-	-	-	-	-	-	-
	DA91-01639B	ASSY-DOOR FOAM REF(V)	RT-34,M/G,DISPENSER	-	-	-	-	-	1	-	-	-	-	-	-
	DA91-01639C	ASSY-DOOR FOAM REF(V)	RT-34,S/S,DISPENSER	-	-	-	-	-	-	1	-	-	-	-	-
	DA91-01639D	ASSY-DOOR FOAM REF(V)	RT-34,S/B,DISPENSER	-	-	-	-	-	-	-	-	1	-	-	-
2	DA63-01037D	COVER-DISPENSER	ABS,S/W	1	-	-	-	1	-	-	-	-	-	-	-
	DA63-01037A	COVER-DISPENSER	ABS,M/G	-	1	-	-	-	1	-	-	-	-	-	-
	DA63-01037B	COVER-DISPENSER	ABS,S/S	-	-	1	-	-	-	1	-	-	-	-	-
	DA63-01037C	COVER-DISPENSER	ABS,S/B	-	-	-	1	-	-	-	1	-	-	-	-
3	DA61-00468A	BRACKET-MOTOR	SBHG1	1	1	1	1	1	1	1	1	-	-	-	-
4	DA66-00123A	PUMP-WATER DISPENSER	ABS,DC12V	1	1	1	1	1	1	1	1	-	-	-	-
5	DA67-00619A	HOSE-CONNECT MOTOR	NBR	1	1	1	1	1	1	1	1	-	-	-	-
6	DA66-00154A	LEVER-DISPENSER	ABS,CR-PLATING	1	1	1	1	1	1	1	1	-	-	-	-
7	DA63-01038D	COVER-MOTOR	HIPS,WHITE	1	1	1	1	1	1	1	1	-	-	-	-
8	DA67-00410A	HOSE-WATER LINE,C	PE	1	1	1	1	1	1	1	1	-	-	-	-
9	DA62-00026A	FILTER	ABS,PT360	1	1	1	1	1	1	1	1	-	-	-	-
10	DA63-01039A	COVER-WATER TANK	PE,WHITE	1	1	1	1	1	1	1	1	-	-	-	-
11	DA67-00762A	CASE-WATER TANK	PE,WHITE	1	1	1	1	1	1	1	1	-	-	-	-
12	DA67-00615A	CAP-WATER TANK	PE,WHITE	1	1	1	1	1	1	1	1	-	-	-	-
13	DA67-00614A	CAP-DISPENSER	ABS	1	1	1	1	1	1	1	1	-	-	-	-
14	DA67-00611F	HOSE-WATER TANK,B	RT-34,PE,WHITE	-	-	-	-	1	1	1	1	-	-	-	-
	DA67-00611B	HOSE-WATER TANK,B	RT-30,PE,WHITE	1	1	1	1	-	-	-	-	-	-	-	-