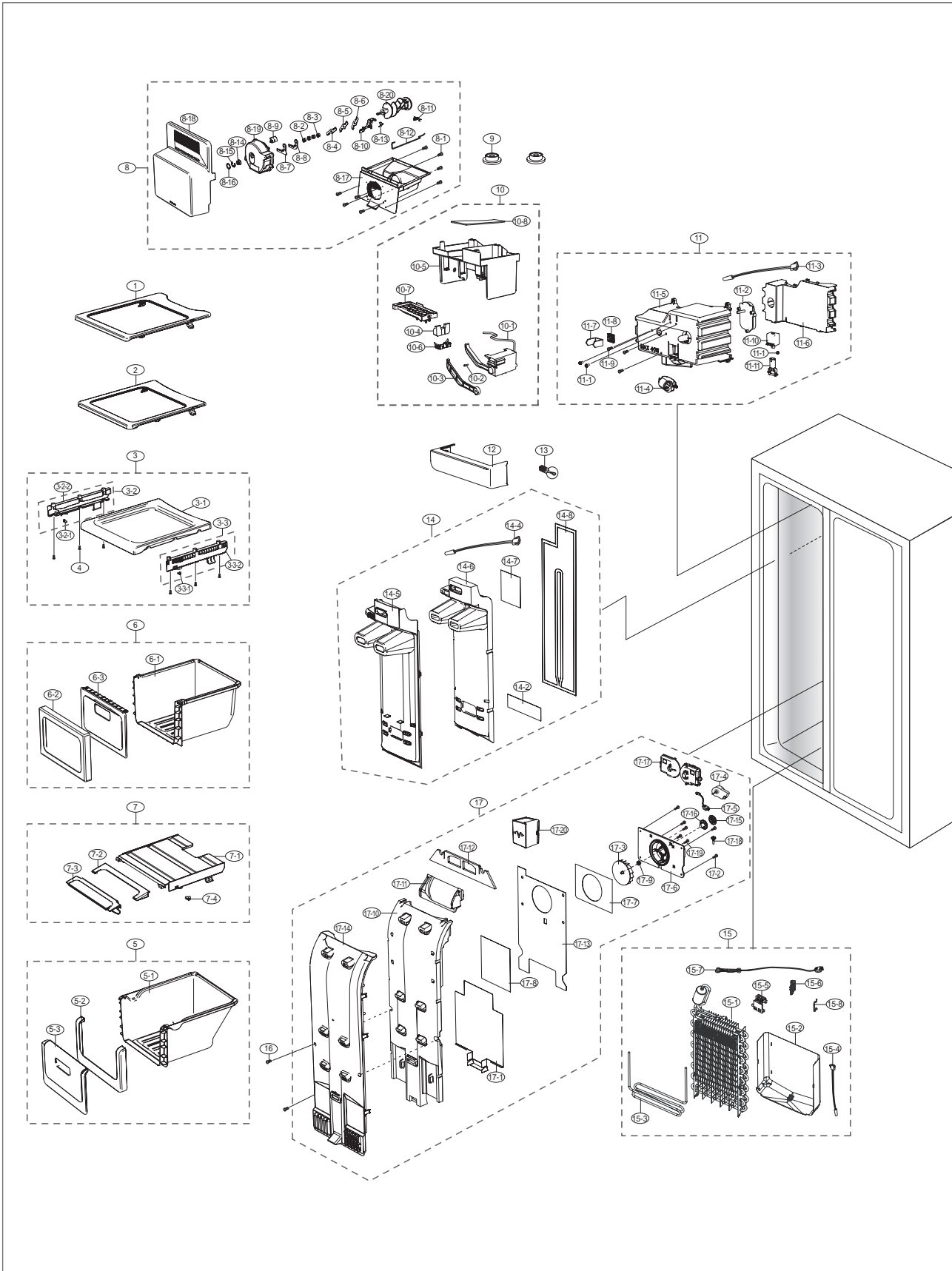


5. EXPLODED VIEW & PART LIST

5-1) Freezer (RSJ1/RS21/23H)	79
5-2) Fridge (RSJ1/RS21/23H)	83
5-3) Cabinet & Unit (RSJ1/RS21/23H)	88
5-4) Freezer Door (RSJ1)	94
5-5) Fridge Door (RSJ1)	98
5-6) Freezer Door (RS21/23H)	102
5-7) Fridge Door (RS21/23H)	109
5-8) Freezer (RS21/23H Basic)	115
5-9) Fridge (RS21/23H Basic)	118
5-10) Cabinet & Unit (RS21/23H Basic)	121
5-11) Freezer Door (RS21/23H Basic)	126
5-12) Fridge Door (RS21/23H Basic)	132
5-13) Freezer Door (RS21H*L* TRIMKIT)	136
5-14) Fridge Door (RS21H*L* TRIMKIT)	141
5-15) Fridge Door (RS21H*L* TRIMKIT Basic)	145
5-16) Freezer Door (RS21H*L* TRIMKIT Basic)	148

EXPLODED VIEW & PART LIST

5-1) Freezer (RSJ1/RS21/23H)



EXPLODED VIEW & PART LIST

■ Parts List of Freezer (RSJ1/RS21/23H)

NO	CODE NO	PART NAME	Spec	Quantity	Remark	SA/SNA
1	DA67-02107A	SHELF FRE-TOP	HERMES-PJT,PP+GLASS,W307,L360,SC-02740R	1	RS21H/23H	SA
	DA67-02107B		HERMES-PJT,PP+GLASS,W307,L360,SC-02740R,PRINTING	1	RSJ1	
2	DA67-02106A	SHELF FRE-MID	HERMES-PJT,PP+GLASS,W308,L325,SC-02740R	1	RS21H/23H	SA
	DA67-02106B		HERMES-PJT,PP+GLASS,W308,L325,SC-02740R,PRINTING	1	RSJ1	
3	DA97-06927A	ASS'Y-SHELF FRE LOW	HERMES-PJT	1		SA
3-1	DA67-02110A	SHELF-FRE LOW	HERMES-PJT,HIPS,SC-02740R	1		SA
3-2	DA97-05233B	ASSY RAIL-BOX L	HERMES-PJT,T2.0,W17,L260	1		SA
3-2-1	DA63-00202C	GROMMET-RAIL	NY-6	1		SA
3-2-2	DA61-03413B	RAIL-BOX L	HERMES-PJT,TALC PP,NATURAL	1		SA
3-3	DA97-05234B	ASSY RAIL-BOX R	HERMES-PJT,T2.0,W17,L260	1		SA
3-3-1	DA63-00202C	GROMMET-RAIL	NY-6	1		SA
3-3-2	DA61-03412B	RAIL-BOX R	HERMES-PJT,TALC PP,NATURAL	1		SA
4	6001-000725	SCREW-TAPPING	TH,+,-,M4,L16,ZPC(WHT),SWRCH18A,UP,-	4		SA
5	DA97-05046B	ASSY CASE-BASKET LOW	HERMES,GPPS+HIPS	1	RSJ1,RS21HK/J,RS23H	SA
	DA97-05336B		HERMES,SAN+TAPE ETC PE,W60	1	RS21HF/D/B/N	
5-1	DA61-03373B	CASE-BASKET LOW	HERMES,GPPS,TRP,2-PIECE, SE-1014	1		SA
5-2	DA63-03549A	COVER-BASKET FRONT LOW B	HERMES,HIPS,WHITE	1		SA
5-3	DA63-03547B	COVER-BASKET FRONT LOW A	HERMES,GPPS,TRP,SE-1008	1		SA
6	DA97-05047B	ASSY CASE-BASKET HIGH	HERMES,GPPS+HIPS	1	RSJ1,RS21HK/J,RS23H	SA
	DA97-05335B		HERMES,SAN+TAPE ETC PE,W60	1	RS21HF/D/B/N	
6-1	DA61-03372B	CASE-BASKET HIGH	HERMES,GPPS,TRP,2-PIECE, SE-1014	1		SA
6-2	DA63-03551A	COVER-BASKET FRONT HIGH A	HERMES,HIPS,WHITE	1		SA
6-3	DA63-03552B	COVER-BASKET FRONT HIGH B	HERMES,GPPS,TRP,SE-1008	1		SA
7	DA97-05049A	ASS'Y-COVER SLIDE BASKET	HERMES,3-PIECE,SAN+HIPS	1	RSJ1,RS21HK/J,RS23H	SA
	DA97-05103C		HERMES,1PIECE,GPPS	1	RS21HF/D/B/N	
7-1	DA63-03569A	COVER BASKET-LOW	HERMES,ABS,TRP	1		SA
7-2	DA63-03570A	COVER-SLIDE BASKET A	HERMES,HIPS,WHITE	1		SA
7-3	DA63-03571A	COVER-SLIDE BASKET B	HERMES,ABS,TRP	1		SA
7-4	DA63-00202C	GROMMET-RAIL	NY-6	2		SA
8	DA97-05081D	ASSY TRAY-ICE BUCKET	HERMES,CRUSH	1	RSJ1,RS21HK/J/F/D,RS23HK/F/D	SA
8-1	6002-000473	SCREW-TAPPING	TH,+,-,1,M4,L14,PASS,STS304	8		SA
8-2	DA72-60314A	SEAL-POM	SR-S7184,POM,W9236E DELRIN500LC	2		SNA
8-3	DA72-60313A	SEAL-POM	SR-S7183,POM,W9236E DELRIN500LC	2		SNA
8-4	DA61-01662A	BLADE-MOVING A	AD,STS304,T2.0	1		SNA
8-5	DA61-01663A	BLADE-MOVING B	AD,STS304,T2.0	1		SNA
8-6	DA61-01664A	BLADE-MOVING C	AD,STS304,T2.0	1		SNA
8-7	DA31-20121B	BLADE-STATIONARY DISP OUT	A-TOP,STS304,T2.0	1		SNA
8-8	DA31-20122B	BLADE-STATIONARY DISP IN	A-TOP,STS304,T2.0	1		SNA
8-9	DA71-20231A	FIXER-GUARD	SR-S7180,POM,DELIN500LC	1		SA
8-10	DA71-70003B	GUIDE-ICE DISPENSER	A-TOP,HIPS,W45.2,NTR,HG-1760S	1		SA
8-11	DA61-20124A	SPRING ETC-DISPENSER	SR-S7180,STS304,PI0.8	1		SA
8-12	DA66-00388A	LEVER-CUBE	ET-VE,MSWR10	1		SA
8-14	DA60-30108A	NUT-HEX	POM	1		SNA
8-15	DA60-90125A	RING	SK-5H	1		SNA
8-16	DA60-40116A	WASHER-PLAIN	ID20 OD28 T0.5 STS430	1		SNA
8-17	DA63-03526A	TRAY ICE-BUCKET	HERMES,PP,WHITE(BJ730)	1		SA
8-18	DA63-03527A	COVER-ICE BUCKET	HERMES,PP,WHITE(BJ730)	1		SA
8-19	DA63-10016B	COVER-CRUSHER DISP	HIPS	1		SA
8-20	DA65-00038A	CLAMPER CORE-HELIX	POM DISP	1		SNA
9	DA61-01797A	FIXER GROMMET-DOOR	T3-PJT,ABS,SC-02740	2	*RSJ1,RS21HK/J/F/D,RS23HK/F/D	SA
10	DA97-05071B	ASSY ICE MAKER-MECH	NEXT700SD	1	RSJ1,RS21HK/J/F/D,RS23HK/F/D	SA
10-1	DA59-00294A	ICE MAKER-ASSY	NTGN,DC12V,	1		SA
10-2	DA60-10132A	SCREW-TAPPING	PH,PI3,L15STS430	1		SA
10-3	DA61-00954B	GUIDE-ICE FULL	AW,ABS,NTR	1		SA

EXPLODED VIEW & PART LIST

■ Parts List of Freezer (RSJ1/RS21/23H)

NO	CODE NO	PART NAME	Spec	Quantity	Remark	SA/SNA
10-4	DA61-01800A	FIXER-SENSOR(ICE MAKER)	AD,URETHANE	1		SA
10-5	DA61-03352A	SUPPORT-ICE MAKER	HERMES,HIPS,WHITE	1		SA
10-6	DA63-02183A	COVER-SENSOR	PP,T1.0,WHITE,	1		SA
10-7	DA63-02284B	TRAY ICE	PP,NTR,BJ73SLW180	1		SA
10-8	DA62-01465A	SEAL-SUPPORT ICE MAKER	FOAM-PE, T3,	1		SNA
11	DA97-05068E	ASSY CASE-AUGER MOTOR	HERMES,220~240V,CRUSH	1	220~240V	SA
	DA97-05068F		HERMES,110~127V,CRUSH	1	110~127V	
11-1	DA60-00001B	SCREW-SPECIAL	HEX,L8.3,PASS,STS304	3		SA
11-2	DA31-00105C	MOTOR GEARD-AUGER	15rpm,50Hz,220-240V,1.0A,40T,ISG-3240SSH	1	220~240V	SA
	DA31-00105A		18rpm,60Hz,110-127V,2.3A,40T,SPG,ISG3240SSI	1	110~127V	
11-3	DA96-00036M	ASSY-WIRE HARNESS SUB(EM)	HERMES-PJT,100~240V	1		SA
11-4	DA47-40001C	ASS'Y-LAMP HOLDER	E26,1A,PBT(5VA),UL SPEC	1		SA
11-5	DA61-03351A	CASE-AUGER MOTOR	HERMES,PP,WHITE(BJ730)	1		SA
11-6	DA63-03528A	COVER-AUGER MOTOR	HERMES,PP,WHITE(BJ730)	1		SA
11-7	DA70-20017A	PLATE-D/AUGER DISP	STS304,L127XD14.4	1		SNA
11-8	DA71-00163A	FIXER-NUT	STS420,T1,CLIP,STS420-	1		SNA
11-9	6002-001335	SCREW-TAPPING	BH,+,-,1,M4,L12,DACRO,SWRCH18A	3		SA
11-10	DA74-40151F	VALVE-SOLENOID	SR-S6586B,CUBE-SN2,220-240[V]	1	220~240V	SA
	DA74-40151G		SR-S6586B,CUBE-SN1,110-127[V]42	1	110~127V	
11-11	DA66-90003A	GEAR-SOLENOID	POM,SC-93438R	1		SNA
12	DA63-03604A	COVER LAMP-FRE	HERMES,PP,DISP	1	RSJ1,RS21HK/J/F/D,RS23HK/F/D	SA
	DA63-03603A		HERMES,PP,BASIC	1	RS21HB/N,RS23HN	
13	4713-001201	LAMP-INCANDESCENT	230V,0mA,40W	1	220~240V	SA
	4713-001206		120V,340mA,40W,FROST	1	110~127V	
14	DA97-05063C	ASSY COVER-MULTI FRE	HERMES,DISP	1	RSJ1,RS21HK/J/F/D,RS23HK/F/D	SA
	DA97-05334C		HERMES,BASIC,230V	1	RS21HB/N,RS23HN	
	DA97-05334D		HERMES,BASIC,120V	1	RS21HB/N,RS23HN	
14-2	DA61-03360A	PLATE-MULTI FRE REAR LOW	HERMES,PP,T1.0,NTR	1		SA
14-4	DA32-10105V	SENSOR-ASSY	PBT CAP,L200->L300	1		SA
14-5	DA63-03595A	COVER-MULTI FRE	HERMES,PP,COOL WHT,DISP	1		SA
14-6	DA62-01444A	INSULATION-MULTI FRE	HERMES,FOAM PS,WHT,DISP	1		SA
14-7	DA61-03393B	PLATE-MULTI FRE REAR HIGH	HERMES,PP	1		SNA
14-8	DA62-01438A	SEAL COVER MULTI FRE REAR	NITRONG PAPER T2.0	1	DISP	SNA
	DA62-01491A	SEAL COVER MULTI FRE REAR	NITRONG PAPER T2.0	1	BASIC	
15	DA96-00380S	ASSY EVAP-FRE	HERMES-PJT,Al+Cu,230W,SHEATH-HEATER 2ROW	1	230V	SA
	DA96-00380T		HERMES-PJT,Al+Cu,230W,SHEATH-HEATER 2ROW	1	120V	
15-1	DA75-00205F	EVAP FRE	A1050P-H16,SHEATH-HEATER 2ROW,AL+CU	1		SNA
15-2	DA47-00246G	HEATER-METAL SHEATH(FRE)	HERMES-PJT,230W,230V,230.0Ω±7%,F-ROOM	1	230V	SA
	DA47-00246L		HERMES-PJT,230W,120V,52.6Ω±7%,F-ROOM	1	120V	
15-3	DA61-03362A	PLATE-DRAIN FRE	HERMES,GALVANUME,T0.3	1		SNA
15-4	DA32-00029A	SENSOR ASSY-REF	DTN-SAU003S,-40~110°C,5V,DEF-SENSOR,WHT,400MM	1		SA
15-5	DA61-00603A	FIXER-SENSOR	PP	1		SA
15-6	DA61-05160A	FIXER-FUSE	PP,BJ-730,NTR	1		SA
15-7	DA47-00301C	THERMO FUSE-ASSY	120V/250V,15A/10A,109~110°C,270mm	1		SA
15-8	DA61-02526A	FIXER-EVAP FRE,SUB	AL, 2.0	1		SA
16	6002-000215	SCREW-TAPPING	TH,1,M4.0,L16,ZPC(YEL)	9		SA
17	DA97-05052E	ASSY COVER EVAP-FRE	BLDC	1		SA
17-1	DA61-03357A	PLATE-EVAP HEATER FRE	HERMES,GALVANUME,T0.3	1		SNA
17-2	6002-000215	SCREW-TAPPING	TH,1,M4.0,L16,ZPC(YEL)	4		SA
17-3	DA31-00053A	FAN-BACKWARD(FRE)	ABS,16Wing	1		SA
17-4	DA31-00146E	MOTOR FAN-BLDC	DREP5020LB,BLDC Motor,0.2	1		SA
17-5	DA39-00060B	WIRE HARNESS-MOTOR	F-FAN	1		SA
17-6	DA61-00417A	CASE MOTOR	ABS SCRAP,WHT	1		SA
17-7	DA61-00411A	PLATE-FAN MOTOR,FRE	HIPS,T1.0	1		SNA
17-8	DA61-03359A	PLATE-INS EVAP FRE HIGH	HERMES,PP,T1.0,NTR	1		SNA

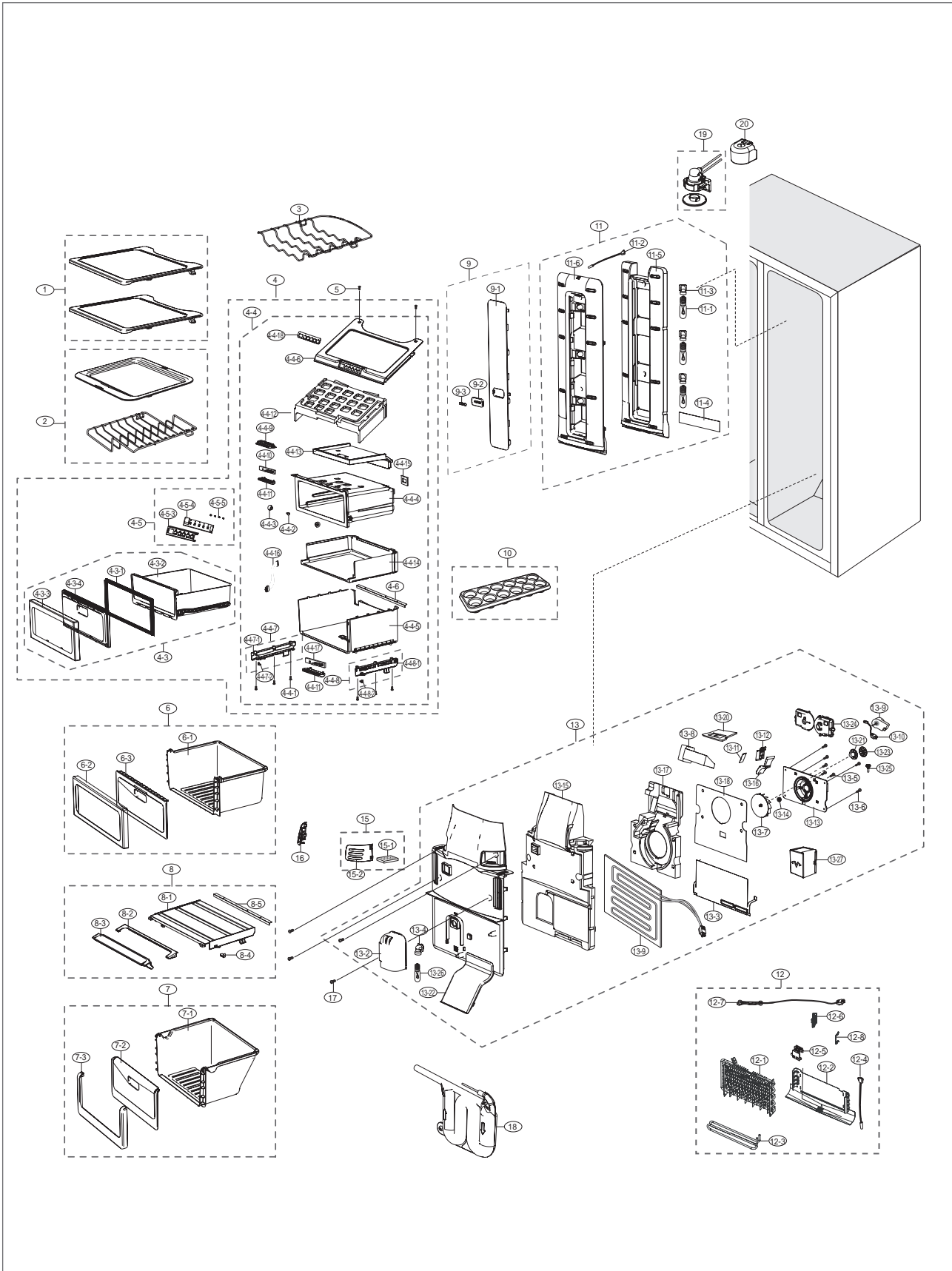
EXPLODED VIEW & PART LIST

■ Parts List of Freezer (RSJ1/RS21/23H)

NO	CODE NO	PART NAME	Spec	Quantity	Remark	SA/SNA
17-9	DA61-20128A	SPRING ETC-FAN	STS304,PI7.8,OD1.0	1		SA
17-10	DA62-01440A	INSULATION EVAP-FRE A	HERMES,FOAM PS,WHITE	1		SA
17-11	DA62-01441A	INSULATION EVAP-FRE B	HERMES,FOAM PS,WHT	1		SA
17-12	DA62-01436A	SEAL-COVER EVAP FRE HIGH	HERMES,OJC,WHITE,T7.0	1		SNA
17-13	DA62-01435B	SEAL-COVER EVAP FRE AL	HERMES,FOAM-PE+AL,BLACK,T2	1		SNA
17-14	DA63-03592A	COVER EVAP-FRE	HERMES,PP,COOL WHT	1		SA
17-15	DA63-01146A	GROMMET-MOTOR,REAR	NBR,ID6.5	1		SA
17-16	DA63-01808A	GROMMET-MOTOR,FRONT	BLDC,NBR,BLACK	1		SA
17-17	DA63-01809A	COVER MOTOR-BLDC	BLDC-NEW,PP,NTR	1		SA
17-18	DA63-40167A	GROMMET-COVER CHIL	T3.0,SILICON,	1		SA
17-19	6002-000213	SCREW-TAPPING	TH,1,M4,L12,ZPC(YEL),S	4		SA
17-20	DA63-04657A	COVER-FIXER HOUSING,V	HERMES,SAZCC,T0.3	1		SA

EXPLODED VIEW & PART LIST

5-2 Fridge (RSJ1/RS21/23H)



EXPLODED VIEW & PART LIST

■ Parts List of Fridge (RSJ1/RS21/23H)

NO	CODE NO	PART NAME	Spec	Quantity	Remark	SA/SNA
1	DA67-01694A	SHELF REF-TOP	HERMES-PJT,PP+GLASS,T2.0,W443,L386,SC-02740R	2	RS21H/23H	SA
	DA67-01694B		HERMES-PJT,PP+GLASS,T2.0,W443,L386,SC-02740R,PRINTING	2	RSJ1	
2	DA63-04558B	TRAY-MOVING	HERMES-PJT,ABS,T2.3,SC-02740R,HG0706	1	OPTION	SA
	DA67-01693D	SHELF-WIRE REF	HERMES-PJT,STS204,6.0, 4.0,W338,L439	1		
3	DA75-00203B	RACK-WINE	HERMES-PJT,STS204, ϕ 5.0	1		
4	DA97-05061L	ASSY-CONVERTIBLE	HERMES	1		SA
	DA97-05061M		HERMES, Photosynthesis LED	1		
	DA97-05061N		HERMES, Photosynthesis LED	1		
	DA97-07704A		HERMES09, Photosynthesis LED	1	RS21HK/J/Z/Y	
	DA97-07704B		HERMES09,EN	1	RS21/23H	
	DA97-07704C		HERMES09,EN,Photosynthesis LED	1	RA21H**XSH	
4-1	DA62-01139X	SEAL-CUTT	OJC,T7,W30	0.37		SNA
4-2	DA62-01504A	SEAL-CONVERTIBLE SIDE	HERMES, OJC, T10, W180	1		SNA
4-3	DA97-05057B	ASSY-TRAY CONVERTIBLE	HERMES,HIPS	1		SA
	DA97-05057A		HERMES,HIPS	1	RS21HK/J/Z/Y	
4-3-1	DA63-01783G	GASKET-CONVERTIBLE	HERMES,SF-PVC,SC-97527R,CONVERTIBLE	1		SA
4-3-2	DA63-03525B	TRAY-CONVERTIBLE	HERMES,GPPS,TRP	1		SA
	DA63-03525A		HERMES,SF-PVC	1	RS21HK/J/Z/Y	
4-3-3	DA63-03523A	COVER-TRAY CONVERTIBLE A	HERMES,HIPS,WHITE	1		SA
4-3-4	DA63-03524B	COVER-TRAY CONVERTIBLE B	HERMES,GPPS,TRP	1		SA
	DA63-03524A		HERMES,HIPS,WHITE	1	RS21HK/J/Z/Y	
4-4	DA97-05055J	ASSY-CASE CONVERTIBLE SUB	HERMES	1		SA
	DA97-07701A		HERMES09	1	RS21HK/J/Z/Y	
	DA97-07701B		HERMES09,English	1	RS21/23H	
	DA97-07701C		HERMES09,English,Photosynthesis LED	1	RA21H**XSH	
4-4-1	6002-000215	SCREW-TAPPING	TH,1,M4.0,L16,ZPC(YEL)	4		SA
4-4-2	6009-001293	SCREW-SPECIAL	TWH,M4,L9(6),PASS,STS304	2		SA
4-4-3	DA66-00151A	ROLLER FRONT	POM	2		SA
4-4-4	DA61-03337A	CASE-CONVERTIBLE A	HERMES,HIPS,WHITE	1		SA
4-4-5	DA61-03340B	CASE-CONVERTIBLE B	HERMES,HIPS,NATURAL	1		SA
	DA61-03340A		HERMES,HIPS,WHITE	1	RS21HK/J/Z/Y	
4-4-6	DA61-03343A	CASE-CONVERTIBLE C	HERMES,HIPS,WHITE	1		SA
	DA61-05295A		HM09,HIPS,WHITE	1	RS21HK/J/Z/Y	
4-4-7	DA97-05233B	ASSY RAIL-BOX L	HERMES-PJT,T2.0,W17,L260	1		SA
4-4-7-1	DA61-03413B	RAIL-BOX L	HERMES-PJT,TALC PP,NATURAL	1		SA
4-4-7-2	DA63-00202C	GROMMET-RAIL	NY-6	1		SA
4-4-8	DA97-05234B	ASSY RAIL-BOX R	HERMES-PJT,T2.0,W17,L260	1		SA
4-4-8-1	DA61-03412B	RAIL-BOX R	HERMES-PJT,TALC PP,NATURAL	1		SA
4-4-8-2	DA63-00202C	GROMMET-RAIL	NY-6	1		SA
4-4-9	DA61-03345A	CASE-PBA ROOM LAMP	HERMES,PP,WHITE	1		SA
4-4-10	DA41-00241B	PBA-ROOM LAMP	FR-1,85*15	1		SA
	DA41-00241E		HERMES,R-ROOM,FR-1,85*15,WHITE 1EA,12V,DC	1	RS21HK/J/Z/Y	
4-4-11	DA63-03056A	COVER-LED	GPPS	1		SA
	DA63-03056A		GPPS	2	RS21HK/J/Z/Y,CHINA	
4-4-12	DA62-01428A	INSULATION-CONVERTIBLE HIGH	HERMES,FOAM-PS,CONVERTIBLE	1		SA
	DA62-02201A		HM09,FOAM-PS,WHITE	1	RS21HK/J/Z/Y	
4-4-13	DA62-01429A	INSULATION-CONVERTIBLE MID	HERMES,FOAM-PS,CONVERTIBLE	1		SA
4-4-14	DA62-01430A	INSULATION-CONVERTIBLE LOW	HERMES,FOAM-PS,CONVERTIBLE	1		SA
	DA62-02202A		HM09,FOAM-PS,WHITE	1	RS21HK/J/Z/Y	
4-4-15	DA62-01546A	SEAL-CONVERTIBLE	HERMES,FOAM-LEX,T3.0,ADHESIVE,DINKING TYPE	1		SNA
	DA62-00585A		ET-PJT 03,OJC-3000,T5	1	RS21HK/J/Z/Y	
4-4-16	DA96-00370A	ASSY W/HARNESS-CONVERTIBLE	DC	1		SA
4-4-17	DA41-00377D	PBA-ROOM LAMP	ullinan,R-ROOM,FR-1,85*15,UV(3), Blue(2),12V,DC	1		RS21HK/J/Z/Y
4-4-18	DA64-02984A	INLAY-CONVERTIBLE	HERMES09,PC,T0.4,GRAY,HAIR LINECHINA	1		SNA

EXPLODED VIEW & PART LIST

■ Parts List of Fridge (RSJ1/RS21/23H)

NO	CODE NO	PART NAME	Spec	Quantity	Remark	SA/SNA
4-4-18	DA97-05054B	INLAY-CONVERTIBLE	HERMES09,PC,T0.4,GRAY,HAIR LINE,English	1	RS21HK/J/Z/Y	SNA
4-5	DA97-05054B	ASSY-PBA CONVERTIBLE	HERMES,DISPLAY	1	RS*1K/J	SA
	DA97-05054C		DISPLAY,ABS,CHINA	1	RS*1K/J,CHINA	
	DA97-05054D		DISPLAY,ABS,TAIWAN	1	RS*1K/J,TAIWAN	
	DA97-07694A		HERMES09,DISPLAY,ABS,CHINA	1	RS21HK/J/Z/Y,CHINA	
4-5-1	DA64-02117A	BUTTON-CONVERTIBLE	HERMES,ABS,WHITE	1		SA
4-5-2	DA63-03535A	GROMMET-KNOB CONVERTIBLE	HERMES,SILICON,CONVERTIBLE	1		SA
4-5-3	DA61-03346A	CASE-PBA DISPLAY CONVERTIBLE	HERMES,ABS,WHITE	1	RS*1K/J	SA
	DA61-03346B		HERMES,ABS,WHITE,CHINA	1	RS*1K/J,CHINA	
	DA61-03346C		HERMES,ABS,WHITE,TAIWAN	1	RS*1K/J,TAIWAN	
	DA61-05294A		HM09,ABS,WHITE,CHINA	1	RS21HK/J/Z/Y,CHINA	
4-5-4	DA41-00457A	PBA-DISPLAY CONVERTIBLE	PBA	1		SA
	DA41-00632A		HERMES09-PJT,PBA_C-ROOM,FR-1,28*142*1.6	1	RS21HK/J/Z/Y,CHINA	
4-5-5	6002-000466	SCREW-TAPPING	PH,2S,M3.0,L8,ZPC(WHT),MSWR10	2		SA
	6002-000466		PH,2S,M3.0,L8,ZPC(WHT),MSWR10	4	RS21HK/J/Z/Y,CHINA	
4-5-6	DA64-02118A	WINDOW-DISPLAY CONVERTIBLE	HERMES,GPPS,TRP	1		SA
4-5-7	DA63-03724A	COVER-LED CONVERTIBLE	HERMES, GPPS, TRP	1		SA
5	6002-000215	SCREW-TAPPING	TH,1,M4.0,L16,ZPC(YEL)	2		SA
6	DA97-05045B	ASSY-CASE VEG HIGH	HERMES,GPPS+HIPS	1	RSJ1,RS21HK/J,RS23H	SA
	DA97-05045C		HERMES,GPPS+HIPS,CHINA	1		
	DA61-05041A		HERMES,GPPS,TRP,1-PIECE,SE-1014	1	RS21HF/D/B/N	
6-1	DA61-03371B	CASE-VEG HIGH	GPPS,TRP,2-PIECE	1		SA
	DA61-03371C		GPPS,TRP,2-PIECE,CHINA	1		
6-2	DA63-03543A	COVER-VEG FRONT HIGH,A	HIPS	1		SA
6-3	DA63-03548B	COVER-VEG FRONT HIGH,B	HERMES,GPPS,TRP,SE-1008	1		SA
7	DA97-05044B	ASSY-CASE VEG LOW	HERMES,GPPS+HIPS	1	RSJ1,RS21HK/J,RS23H	SA
	DA61-05042A		HERMES,GPPS,TRP,1-PIECE,SE-1014	1	RS21HF/D/B/N	
7-1	DA61-03370B	CASE-VEG LOW	HERMES,GPPS,TRP,2-PIECE,SE-1014	1		SA
7-2	DA63-03550B	COVER-VEG FRONT LOW B	HERMES,GPPS,TRP	1		SA
7-3	DA63-03546A	COVER-VEG FRONT LOW A	HERMES,HIPS,WHITE	1		SA
8	DA97-05048B	ASS'Y-COVER SLIDE VEG	HERMES,SAN+HIPS	1	RSJ1,RS21HK/J,RS23H	SA
	DA97-05100E		HERMES,1PIECE,GPPS	1	RS21HF/D/B/N	
8-1	DA63-03566A	COVER VEG-LOW	HERMES,ABS,TRP	1		SA
8-2	DA63-03567A	COVER-SLIDE VEG A	HERMES,HIPS,WHITE	1		SA
8-3	DA63-03568A	COVER-SLIDE VEG B	HERMES,ABS,TRP	1		SA
8-4	DA63-00202C	GROMMET-RAIL	NY-6	2		SA
9	DA97-05064C	ASS'Y-COVER LAMP REF	HERMES	1		SA
9-1	DA63-03608A	COVER LAMP-REF	HERMES,PP	1		SA
9-2	DA63-03609A	COVER SENSOR	HERMES,ABS,COOL WHT	1		SA
10	DA67-40322A	TRAY-EGG	GPPS	1		SA
11	DA97-05062A	ASSY COVER-MULTI REF	HERMES,LAMP-3EA,230V	1		SA
	DA97-05062C		HERMES,LAMP-3EA,120V	1		
	DA97-05062E		HERMES09,LAMP-3EA,230V	1		
	DA97-05062G		HERMES09,LAMP-3EA,120V	1		
11-1	4713-001189	LAMP-INCANDESCENT	240V,30W,,25x84	3	240V	SA
	4713-001145		130V,30W,25T*84L	3	130V	
11-2	DA32-10105H	SENSOR-ASSY	502AT10~35,5V,5KOHM	1		SA
11-3	DA47-00291A	LAMP HOLDER	E14,240V,75W,PBT	3	K,J OPTION	SA
	DA47-00291D		E14,240V,75W,PBT	3	K,J OPTION	
11-4	DA61-03361A	PLATE-MULTI REF REAR	PP,T1.0	1		SNA
11-5	DA62-01445A	INSULATION-MULTI REF	HERMES,FOAM PS,WHT	1		SA
11-6	DA63-03596C	COVER-MULTI REF	HERMES,PP,COOL WHT	1	RSJ1	SA
	DA63-03596D		HERMES-PJT,PP,COOL WHT,NO lamp hole	1	RS21H/23H	

EXPLODED VIEW & PART LIST

■ Parts List of Fridge (RSJ1/RS21/23H)

NO	CODE NO	PART NAME	Spec	Quantity	Remark	SA/SNA
12	DA96-00379S	ASSY EVAP-REF	HERMES-PJT,Al+Cu,140W,SHEATH-HEATER 2ROW	1	230V	SA
	DA96-00379T		HERMES-PJT,Al+Cu,140W,SHEATH-HEATER 2ROW	1	120V	
12-1	DA75-00204G	EVAP REF	A1050P-H16,SHEATH-HEATER 2ROW,AL+CU	1		SNA
12-2	DA61-03358A	PLATE-DRAIN EVAP REF	HERMES,GALVANUME,T0.3	1		SNA
12-3	DA47-00247K	HEATER-METAL SHEATH(REF)	HERMES-PJT,140W,230V,377.8 Ω \pm 7%,R-ROOM	1	230V	SA
	DA47-00247N		HERMES-PJT,140W,120V,86.4 Ω \pm 7%,R-ROOM	1	120V	
12-4	DA32-00029B	SENSOR TEMP	DTN-SAU003S,5V	1		SA
12-5	DA61-00453A	FIXER-SENSOR	EVAP,PP,NTR,ALL	1		SA
12-6	DA61-05160A	FIXER-FUSE	PP,BJ-730,NTR	1		SA
12-7	DA47-00301B	THERMO FUSE-ASSY	120V/250V,15A/10A,109~110 $^{\circ}$ C,600mm	1		SA
12-8	DA61-02526A	FIXER-EVAP FRE,SUB	AL, ϕ 2.0	1		SA
13	DA97-05053K	ASSY COVER EVAP-REF	HERMES, DISP, CONVERTIBLE, 230V	1	RSJ1K/J,RS21HK/J,RS23HK,230V	SA
	DA97-05053J		HERMES, DISP, CONVERTIBLE, 120V	1	RSJ1K/J,RS21HK/J,RS23HK,120V	
	DA97-05053N		HERMES09, COVNNVERTIBLE, 230V	1	RS21HZ/Y,RS21HK/J,230V	
	DA97-05053P		HERMES09, COVNNVERTIBLE, 120V	1	RS21HZ/Y,RS21HK/J,120V	
	DA97-05247S		HERMES, DISP, 230V	1	RS21HF/D,RS23HF/D,230V	
	DA97-05247T		HERMES, DISP, 120V	1	RS21HF/D,RS23HF/D,120V	
	DA97-05247U		JM, DISP, 230V	1	RSJ1F,230V	
	DA97-05247V		JM, DISP, 120V	1	RSJ1F,120V	
	DA97-05247S		HERMES, BASIC	1	RS21HB/N,RS23HN	
DA97-07621A		HERMES09,V,S OPTION,120V	1	V/S OPTION		
13-1	DA61-03582A	PLATE-DRAIN INS	HERMES,AL,T0.6	1		SNA
	DA61-05279A	EVAP REF	HERMES 09,AL,T0.3	1		
13-2	DA63-03607A	COVER LAMP-REF LOW	HERMES,PP	1		SA
13-3	DA61-03356A	PLATE EVAP HEATER REF	GALVANUM,T0.3	1		SNA
13-4	DA47-00265A	LAMP HOLDER(VEG)	14BASE,L850	1		SA
	DA47-00292C		14BASE,L850	1	HM09	
13-5	6002-000213	SCREW-TAPPING	TH,1,M4,L12,ZPC(YEL),S	4		SA
13-6	6002-000215	SCREW-TAPPING	TH,1,M4.0,L16,ZPC(YEL)	4		SA
13-7	DA31-00123A	FAN-BACKWARD	ABS,13Wing	1		SA
13-8	DA31-00043D	MOTOR-DAMPER	DC 12V,Max 60mA,CULLINAN-PJT	1		SA
13-9	DA31-00146E	MOTOR FAN-BLDC	DREP5020LB,BLDC Motor,0.2	1		SA
13-10	DA39-00060B	WIRE HARNESS-MOTOR	F-FAN	1		SA
13-11	DA61-00327A	PLATE-AIR GUIDE	SILICON,T1.5,W65,L348,COV	1		SA
13-12	DA61-00413A	FIXER-AIR GUIDE	PP,PREMIUM	1		SA
13-13	DA61-00417A	CASE MOTOR	ABS SCRAP,WHT,SBS	1		SA
13-14	DA61-20128A	SPRING ETC-FAN	STS304,PI7.8,OD1.0,	1		SA
13-15	DA62-01442A	INSULATION EVAP-REF A	HERMES,FOAM PS,WHT	1		SA
13-16	DA67-01672A	CAP-INS EVAP REF B	HIPS,NTR	1		SA
	DA67-01672B		HERMES,TALC PP,NTR	1		
13-17	DA62-01443A	INSULATION EVAP-REF B	HERMES,FOAM PS,WHT	1		SA
13-18	DA62-01437A	SEAL COVER EVAP REF AL	FOAM PE+AL,T1.5,코배울	1	230V	SNA
13-19	DA47-00258A	HEATER-WATER TANK	230V,5W	1	120V	SA
	DA47-00258B		120V,5W	1		
13-20	DA62-01434A	SEAL COVER EVAP REF HIGH	OJC,T7.0,WHITE	1		SNA
13-21	DA63-01146A	GROMMET-MOTOR,REAR	NBR,ID6.5	1		SA
13-22	DA63-03593A	COVER EVAP-REF	HERMES,PP,COOL WHT,CONV	1	RSJ1F	SA
	DA63-03594B		HERMES-PJT,PP,COOL WHT	1		
13-23	DA63-01808A	GROMMET-MOTOR,FRONT	BLDC,NBR,BLACK	1		SA
13-24	DA63-01809A	COVER MOTOR-BLDC	BLDC-NEW,PP,NTR	1		SA
13-25	DA63-40167A	GROMMET-COVER CHIL	T3.0,SILICON,	1	RSJ1,RS21HK/J,RS23HK,230V	SA
13-26	4713-001189	LAMP-INCANDESCENT	240V,30W,25x84mm	1	RSJ1,RS21HK/J,RS23HK,120V	SA
	4713-001145		130V,30W,25T*84L	1		

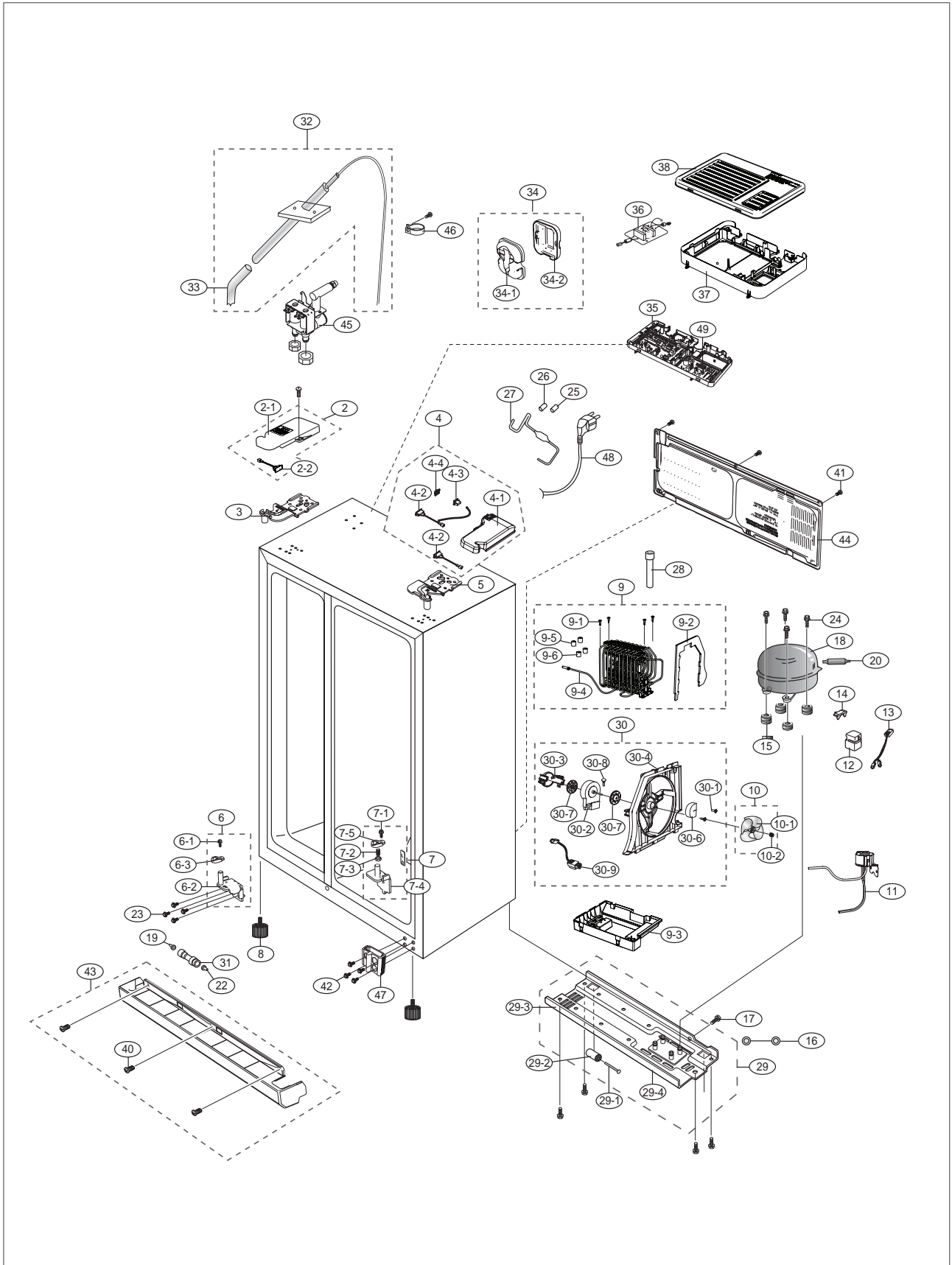
EXPLODED VIEW & PART LIST

■ Parts List of Fridge (RSJ1/RS21/23H)

NO	CODE NO	PART NAME	Spec	Quantity	Remark	SA/SNA
13-27	DA63-04657A	COVER-FIXER HOUSING,V	SAZCC,T0.3	1		SA
15	DA97-05065B	ASSY COVER-DEODORIZER R	HERMES	1	RSJ1,RS21HK/J,RS23HK	SA
15-1	DA02-90106P	CATALYST	SS64-10-1,T7,W40,L40	1		SA
15-2	DA63-03606A	COVER-DEODORIZER R	HERMES,PP,COOL WHT	1	RS21HF/D/B/N,RS23HF/D/N	SA
16	DA63-03605A	COVER-DEODORIZER L	HERMES,PP,COOL WHT	1		SA
17	6002-000215	SCREW-TAPPING	TH,1,M4.0,L16,ZPC(YEL)	9		SA
18	DA97-06938B	ASSY TANK WATER	HERMES,HDPE	1		SA
19	DA97-06317A	ASSY CASE-FILTER	AW	1		SA
20	DA63-04427A	COVER-FILTER	GUGGENHEIM,HIPS,T2.0	1		SA

EXPLODED VIEW & PART LIST

5-3) Cabinet & Unit (RSJ1/RS21/23H)



EXPLODED VIEW & PART LIST

■ Parts List of Cabinet (RSJ1/RS21/23H)

NO	CODE NO	PART NAME	Spec	Quantity	Remark	SA/SNA
1	DA90-3673A	ASSY-CABINET FOAM	HERMES	1		SNA
2	DA97-04980H	ASSY COVER HINGE-UPP L	HERMES, SNOW WHITE	1	RS****SV/SW	SA
	DA97-04980J		HERMES, I-BLACK	1	RS****BP	
	DA97-04980K		HERMES, TITAN GRAY	1	RS****PS/PE	
	DA97-04980D		HERMES, MANHATTAN SILVER	1	RS****MH	
	DA97-04980L		HERMES, NOBLE STS	1	RS****RS	
	DA97-04980F		HERMES, INOX	1	RS****IS	
	DA97-05663B		HERMES-T/K, BRILLIANT GOLD	1	RS****AW/PM	
	DA97-05663G		HERMES-T/K, SNOW WHITE	1	RS****FH	
	DA97-05663A		HERMES-T/K, ,I-BLACK,TK	1	RS****MR/BG/FB	
	DA97-05663C		HERMES-T/K, NOBLE STS,TK	1	RS****NA	
2-1	DA63-03529H	COVER HINGE-UPP L	HIPS, T2.5, SNOW WHITE	1	RS****SV/SW	SA
	DA63-03529J		HIPS, T2.5, I-BLACK	1	RS****BP	
	DA63-03529K		HIPS, T2.5, TITAN GRAY	1	RS****PS/PE	
	DA63-03529D		ABS, T2.5, MANHATTAN SILVER	1	RS****MH	
	DA63-03529L		HIPS, T2.5, NOBLE STS	1	RS****RS	
	DA63-03529F		ABS, T2.5, INOX	1	RS****IS	
	DA63-03896B		HERMES-T/K, BRILLIANT GOLD	1	RS****AW/PM	
	DA63-03896G		HERMES-T/K, SNOW WHITE	1	RS****FH	
	DA63-03896A		HERMES-T/K, ,I-BLACK,TK	1	RS****MR/BG/FB	
	DA63-03896C		HERMES-T/K, NOBLE STS,TK	1	RS****NA	
2-2	DA34-00043A	SWITCH REED ASSY	200VDC,1.5	1		SA
3	DA61-03354A	HINGE-UPP L	HERMES,SHP1,T3.0,BLACK	1		SA
	DA97-02278D	ASSY HINGE UPP-L	HERMES-T/K	1		SA
4	DA97-04979H	ASSY COVER HINGE-UPP R	HERMES, SNOW WHITE	1	RS****SW	SA
	DA97-04979J		HERMES, I-BLACK	1	RS****BP	
	DA97-04979K		HERMES, TITAN GRAY	1	RS****PE	
	DA97-04979D		HERMES, MANHATTAN SILVER	1	RS****MH	
	DA97-04979L		HERMES, NOBLE STS	1	RS****RS	
	DA97-04979F		HERMES, INOX	1	RS****IS	
	DA97-04979Q		HERMES, VANILLA BEIGE		RS****VB	
	DA97-05662B	ASSY COVER HINGE-UPP R	HERMES-T/K, BRILLIANT GOLD	1	RS****AW/PM	
	DA97-05662G		HERMES-T/K, SNOW WHITE	1	RS****FH	
	DA97-05662A		HERMES, I-BLACK,R600a	1		
	DA97-05662C		HERMES-T/K,NOBLE GRAY	1		
	DA97-07894A	ASSY COVER HINGE-UPP R (BASIC S/W)	HERMES, NOBLE GRAY,R600a	1	RS21/23H****	
	DA97-07894B		HERMES, SNOW WHT,R600a	1	RS21/23H****	
	DA97-07894C		HERMES, TITAN GRAY,R600a	1	RS21/23H****	
	DA97-07894D		HERMES, I-BLACK,R600a	1	RS21/23H****	
	DA97-07894E		HERMES, VANILLA BEIGE,R600a	1		
	DA97-07895A	ASSY COVER HINGE-UPP R (T/K S/W)	HERMES, SNOW WHITE,R600a	1	RS21H*L**	
	DA97-07895B		HERMES-T/K, BRILLIANT GOLD,R600a	1	RS21H*L**	
	DA97-07895C		HERMES, I-BLACK,R600a	1	RS21H*L**	
DA97-07895D	HERMES-T/K,NOBLE GRAY		1			
4-1	DA63-03530H	COVER HINGE-UPP R	HIPS, T2.5, SNOW WHITE	1	RS****SW	SA
	DA63-03530J		HIPS, T2.5, I-BLACK	1	RS****BP	
	DA63-03530K		HIPS, T2.5, TITAN GRAY	1	RS****PE	
	DA63-03530D		ABS, T2.5, MANHATTAN SILVER	1	RS****MH	
	DA63-03530L		HIPS, T2.5, NOBLE STS	1	RS****RS	
	DA63-03530F		ABS, T2.5, INOX	1		
	DA63-03530P		HERMES, VANILLA BEIGE	1	RS****IS	
	DA63-03897B	COVER HINGE-UPP R (T/K)	HERMES-T/K, BRILLIANT GOLD	1	RS****AW/PM	
	DA63-03897G			HERMES-T/K, SNOW WHITE	1	

EXPLODED VIEW & PART LIST

■ Parts List of Cabinet (RSJ1/RS21/23H)

NO	CODE NO	PART NAME	Spec	Quantity	Remark	SA/SNA
4-1	DA63-03897A	COVER HINGE-UPP R (T/K)	HERMES, I-BLACK,R600a	1		SA
	DA63-03897C		HERMES-T/K,NOBLE GRAY	1		
	DA63-05154B	COVER HINGE-UPP R (T/K S/W)	HM09,ABS,BRILLIANT GOLD(SC-05149R)	1		
	DA63-05154A		HM09,ABS,SNOW WHITE(SC-97527R)	1		
	DA63-05154C		HM09,ABS,I-BLACK(SC-00477R)	1		
	DA63-05154D	COVER HINGE-UPP R (BASIC S/W)	HM09,ABS,NOBLE GRAY(SC-02008R)	1	RS****FH	
	DA63-05153A		HM09,HIPS,NOBLE GRAY(SC-02008R)	1		
	DA63-05154B		HM09,HIPS,SNOW WHITE(SC-97527R)	1		
	DA63-05155C		HM09,HIPS,TITAN GRAY(SC-03186R)	1		
	DA63-05156D		HM09,HIPS,I-BLACK(SC-00477R)	1	RS****FH	
DA63-05156E	HERMES, VANILLA BEIGE,R600a		1			
4-2	DA34-00043A	SWITCH REED ASSY	200VDC,1.5	1		SA
	DA34-00043F	SWITCH REED ASSY		1		SA
4-3	3402-000165	SWITCH-ROCKER	125/250V	1		SA
4-4	DA63-05170A	GROMMET-COVER SWITCH	SLICONE	1		SA
5	DA61-03355A	HINGE-UPP R	HERMES,SHP1,T3.0,BLACK	1		SA
	DA97-02279D	ASSY HINGE UPP-R	HERMES-T/K	1		SA
6	DA97-04107A	ASSY HINGE LOW-L	HERMES BASIC	1		SA
	DA97-04355B	ASSY HINGE LOW-L	HERMES-T/K			
6-1	6003-001435	SCREW-TAPTITE	HWH,S,M5,L12.7,ZPC(WHT),SWRCH18A	1		SA
6-2	DA61-02891A	HINGE-LOW FRE	SHP1,T4.5,W54.6,L57	1		SA
6-3	DA66-00343A	CAM-RISER	TH,+,WT,TC,M4,L10,ZPC(YEL)	2		SNA
7	DA97-04354A	ASSY HINGE LOW R	BASIC,10.5 Gasket	1		SA
7-1	6003-001435	SCREW-TAPTITE	HWH,M5,L12.7,ZPC(WHT),SWRCH18A	1		SA
7-2	6011-001442	BOLT-SOCKET	M8,L15,ZPC(BLK),SCM435	1		SNA
7-3	6021-001125	NUT-HEXAGON	3,M8, P1.25,ZPC(BLK),SWRCH10	1		SNA
7-4	DA61-02966A	HINGE-LOW REF	10.5mm,SCP1,T4.5,T3.0,	1		SA
7-5	DA66-00401A	CAM-RISER	NY-66(2110R),BLACK	1		SNA
8	DA61-00805A	FOOT-FRONT	PP,PI44,NTR,H65.8,BOLT(MSWR10/ZPC2-Y)	2		SA
9	DA97-03869E	ASSY TRAY-DRAIN WATER	HERMES-PJT,W242.3,L320.5	1		SA
9-1	6009-001252	SCREW-SPECIAL	PH,M4.0,L20(12),ZPC	4		SA
9-2	DA97-05564A	SEAL-SUB CONDENSER	FOAM-PE	1		SNA
9-3	DA63-03069B	TRAY DRAIN-WATER	PP SCRAP,T2.0	1		SA
9-4	DA97-03962C	ASSY PIPE-SPIRAL COND	HERMES-PJT	1		SA
9-5	DA63-40128A	GROMMET-SUB COND	NBR	2		SA
9-6	DA63-40171B	GROMMET-SUCT PIPE A	NBR,OD20,ID4,L20	2		SA
10	DA31-00010F	FAN-ASS'Y	150	1		SA
10-1	DA31-00015C	FAN-TURBO	ABS+GLASS FIBER 10%,GR-4010	1		SA
10-2	DA61-03139A	SPRING ETC-FAN	STS304,PI7.8,OD1.0	1		SA
11	DA97-07070B	ASSY MOTOR-STEP VALVE	JM-PJT	1	RSJ1	SNA
12	2301-001695	C-FILM,LEAD	10nF,10%,630V,BK,16.5x9.5x5.7xmm,-	1	230V,50Hz	SA
	2301-001837		12000nF,-5/10%,250V,Bulk,50x25x36		110~127V,60Hz	
	2301-001848		5000nF,-5/10%,450V,Bulk,50x25x36		220~240V,50Hz	
13	DA96-00174A	ASS'Y-HARNESS,COMP	EPEL,WIRE-HARNESS MAIN,A	1	230V,50Hz	SA
	DA96-00174C		AW-PJT,AWG 18		110~127V,60Hz	
	DA96-00174D	AW-PJT,AWG #18				
	DA39-00154C	WIRE HARNESS-COMP	INVERTER,WIRE HARNESS COMP		INVERTER	
14	DA96-00270A	ASS'Y-RELAY,PTC	12SP18A265RF330,130°C/61°C,33Ω	1	230V,50Hz	SA
	DA96-00270C		12SP16A435RF100,135/61°C,10Ω	1	110~127V,60Hz	
	DA96-00270D		12SP17A317RH220,130/69°C,22Ω	1	220~240V,50Hz	
	DA96-00496G		37265RHY330SCF1, 130/69°C, 33ohm, SM-COMBO	1		
	DA96-00496H		12SP16A435RF100, 135/61°C, 10Ω	1		
	DA34-00004C	RELAY PROTECTOR O/L	4TM319SFBYY-82,BK190HL2X,S/T_13.0A,U/T_3.10A,135,61	1	INVERTER_230V,60Hz	
DA34-00004B	RELAY PROTECTOR O/L	4TM308RFBYY-82,BK190HL2X,S/T_11.4A,U/T_2.57A,130°C,61	1	INVERTER,110~127V,60Hz		

EXPLODED VIEW & PART LIST

Parts List of Cabinet (RSJ1/RS21/23H)

NO	CODE NO	PART NAME	Spec	Quantity	Remark	SA/SNA
14	DA34-10003V	RELAY PROTECTOR O/L	4TM265RHBY-53,ST9.4,UT2.06,69,130	1		SA
15	DA63-02017A	GROMMET-COMP	EPDM	4		SA
	DA63-02617A	GROMMET-COMP	EPDM	4		SA
16	DA39-20389L	W/HARNESS EARTH	TMF/LMF,AWG #18,150mm	1	INVERTER	SA
17	DA60-10143A	SCREW-EARTH	BH,M4,L10,PASS,BS	2		SA
18	MK4A5QR1U/E10	COMPRESSOR	220-240V°C 50HZ,RSCR,STATIC	1	230V,50Hz,R600a	SA
	MK190GL2U/E08		9.08CC,200/220-50,220-60,RSCR	1	220~240V,50Hz,R134a	
	MK172DR2U/E08		115-127V~60HZ,RSCR,FAN	1	110-127V,INVERTER,R600a	
	EQ4A5QL2X/E01		15.31CC,BLDC,R-600A	1	220-240V,INVERTER,R600a	
	EU4A5CL2X/E01		15.31CC,115V/60HZ,BLDC,R-600A	1	110-127V,INVERTER,R600a	
	EU4A5QL2XA/E01		15.31CC,200-220V/50-60HZ,BLDC,R-600A,FAN COOLING,AL	1	220-240V,INVERTER,R600a	
	MK183CS2U/E08		8.19CC, 115V-60HZ,RSCR	1	115V,60HZ	
	MK190QL2U/E18		220/240V~50HZ,RSCR,FAN	1	220-240V,50HZ	
19	DA71-20207A	FIXER-VALVE WATER A	NY-6,OD7.8	1		SA
20	DA62-01514A	DRYER-ASSY	C1220T,OD18.70,L114 ,HM CYCLE	1		SNA
	DA62-01514B		TDM CYCLE			
22	DA71-20208A	FIXER-VALVE WATER B	NY-6,OD6.1	1		SA
23	6011-001656	BOLT-HEX	HWH,M6,L16,ZPC(WHT),SWRCH18A	4		SA
24	DA60-20008A	BOLT-HEX	S25C,L42.6	4		SA
25	DA63-40171B	GROMMET-SUCT PIPE A	NBR,OD20,ID4,L20	1		SA
26	DA63-40171D	GROMMET-SUCT PIPE B	RAIL L19.5,NR,OD20	2		SA
27	DA97-06085A	ASSY PIPE CONNECT-SUCTION	SUCTION	1		SNA
28	DA97-04045A	ASSY TUBE-DRAIN	SOFT-PVC	2		SNA
29	DA97-03971E	ASSY CHASSIS-COMP	SBHG1,T1.2	1		SNA
29-1	DA60-90146A	PIN-CASTER	MSWR10,OD6.0,L40,ZPC2	2		SA
29-2	DA61-40126B	CASTER-REAR	PP,PI 44,NTR,W22	2		SA
29-3	DA64-01808E	CHASSIS COMP	SBHG1,T1.2,W255.5,L895.2	1		SNA
30	DA97-03870B	ASSY SUPPORT-CIRCUIT MOTOR	ET/A-TOP_VE	1		SA
30-1	6003-000003	SCREW-TAPTITE	BH,B,M4,L10,ZPC(BLK)	2		SA
30-2	DA31-00146B	MOTOR DC-BLDC SENSOR	DRCP5030LA,230mA	1		SA
30-3	DA61-02355B	BRACKET-CIRCUIT MOTOR	ABS,WHI	1		SA
30-4	DA61-02788A	SUPPORT-CIRCUIT MOTOR	ET/A-TOP_VE,ABS,T2	1		SA
30-5	DA62-01297A	SEAL-SUPPORT MOTOR	FOAM PE,T15,	1		SNA
30-6	DA63-01146A	GROMMET-MOTOR,REAR	NBR,ID6.5	2		SA
30-7	DA63-40167A	GROMMET-COVER CHIL	T3.0,SILICON	1		SA
30-8	DA96-00042A	ASSY-W/HARNESS MOTOR	W/HARNESS	1		SA
31	DA62-01627A	TUBE-FITTING-B	POM	1		SA
32	DA97-05070A	ASSY PIPE-WATER FRE	240V,10W	1	240V	SA
	DA97-05070B		120V	1	120V	
33	DA63-03629A	GROMMET-WATER PIPE FILL IN	HERMES,SILICON,ICE/MAKER	1		SA
34	DA97-00979C	ASSY-COVER PIPE WATER	HERMES	1		SA
34-1	DA63-00476B	COVER-PIPE-WATER	PP SCRAP,NATURAL	1		SA
34-2	DA72-00228C	SEAL-WATER PIPE	FOAM-PE,-,T10,L80,W70	1		SA
35	DA41-00449A	PBA MAIN	JM-PJT, TOP OF REF,FR-1,247*197, 1.6T,DISPENSER+C_ROOM,230V,50HZ	1	RSJ1K/J,R600a	SA
	DA41-00449B		JM-PJT, TOP OF REF,FR-1,247*197, 1.6T,DISPENSER,230V,50HZ	1	RSJ1F,R600a	
	DA41-00449C		JM-PJT(HERMES),TOP OF REF,FR-1,247*197, 1.6T,R134a, D+C, AC COMP, 'C,110/230,50/60'	1	RSJ1K/J,R134a	
	DA41-00451A		HERMES-PJT, TOP OF REF,FR-1,247*197, 1.6T,DISPENSER+C_ROOM,230V,50HZ	1	RS21HK/J,RS23HK,R600a	
	DA41-00451B		HERMES-PJT, TOP OF REF,FR-1,247*197, 1.6T,DISPENSER,230V,50HZ	1	RS21HF/D,RS23HF/D,R600a	
	DA41-00451C		HERMES-PJT, TOP OF REF,FR-1,247*197, 1.6T,R134a, D+C, AC COMP, 'C,110/230,50/60'	1	RS21HK/J,RS23HK,R134a	
	DA41-00451D		HERMES-PJT, TOP OF REF,FR-1,247*197, 1.6T,R134a, DISPENSER, AC COMP, 'C,110/230,50/60'	1	RS21HF/D,RS23HF/D,R134a	
	DA41-00451E		HERMES-PJT, TOP OF REF,FR-1,247*197, 1.6T,R600a, D+C, INV COMP, 'C,230,50'	1	RS21HZ,R600a,INVERTER	
	DA41-00641A		09 HERMES-PJT, TOP OF REF,FR-1,247*197, 1.6T,Z Option , R600a, TDM, ISO, 'C,230,50,N	1	RS21HZ, R600a, INVERTER	

EXPLODED VIEW & PART LIST

Parts List of Cabinet (RSJ1/RS21/23H)

NO	CODE NO	PART NAME	Spec	Quantity	Remark	SA/SNA
35	DA41-00641B	PBA MAIN	09 HM-PJT, TOP OF REF.FR-1,247*197, 1.6TZY Option, R600a, HM, ISO, 'C,230 V,50 Hz,N	1	RS21HZ/Y, R600a, INVERTER	SA
	DA41-00641C		09 HM-PJT, TOP OF REF.FR-1,247*197, 1.6TK/J Option, R600a, HM, ISO, 'C,230 V,50 Hz,N	1	RS21HK/J, R600a	
	DA41-00641D		09 HM-PJT, TOP OF REF.FR-1,247*197, 1.6TK Option, R134a, HM, ISO-T, 'C, Y, SMPS, TOP246YN	1	RS21HK, R134a	
	DA41-00641E		09 HM-PJT, TOP OF REF.FR-1,247*197, 1.6T,F/D Option, R600a, HM, ISO, 'C, Y, SMPS, TOP246YN	1	RS21HF/D, R600a	
	DA41-00641F		09 HM-PJT, TOP OF REF.FR-1,247*197, 1.6T,F/D Option, R134a, HM, ISO-T, 'C, Y, SMPS, TOP246YN	1	RS21HF/D, R134a	
	DA41-00449G		09 HM-PJT(JM), TOP OF REF.FR-1,247*197, 1.6T, INVERTER, TDM, ISO-T, DISPENSER, C-ROOM, H/BZ-OPTION, 230V, 50Hz, N	1	RSJ1Z, R600a, INVERTER	
	DA41-00449H		09 HM-PJT(JM), TOP OF REF.FR-1,247*197, 1.6T, INVERTER, TDM, ISO-T, DISPENSER, H/BIP-OPTION, 230V, 50Hz, N	1	RSJ1P, R600a, INVERTER	
36	DA27-00019A	COIL FILTER-EMI FILTER	HERMES-PJT, 20mH, 40mΩ, 33±1.82*60, TPS2008-I01, -25~+85°C	1		SA
	DA27-00019D		20mH, 40mΩ, 33±1.82*60, -, -, -, -25 ~ +85°C, -	1		
37	DA61-03003H	CASE PCB-PANEL	USP, ABS, (V-0), SNOW WHITE, SC-99347R	1	RS****SW/MG, R600a	SA
	DA61-03003G		USP, ABS, (V-0), NEO-VICTORY GRAY, SC-02684R	1	RS****BP/PE/ MH/RS/IS, R600a	
	DA61-03363A		HERMES, N-PP, CP, NONFLAMMABLE	1	R134a	
38	DA63-04565A	ASSY COVER-PBA MAIN	HERMES, SBHG1, T0.35	1	R134a	SA
	DA63-03276B		SBHG1, T0.35	1	R600a	
39	6001-000541	SCREW-MACHINE	PH, +, M4, L6, ZPC(YEL), SWRCH1	2		SA
40	6002-000213	SCREW-TAPPING	TH, 1, M4, L12, ZPC(YEL), S	9		SA
41	6002-000470	SCREW-TAPPING	TH, M4, L10, ZPC(YEL), S	3		SA
42	6011-001656	BOLT-HEX	HWH, M6, L16, ZPC(WHT), SWRCH18A	6		SA
43	DA63-04559A	COVER LEG-FRONT	PP, T1.8, SNOW WHITE	1	RS****SW	SA
	DA63-03531B		PP, T1.8, I-BLACK	1	RS****BP	
	DA63-03531C		PP, T1.8, TITAN GRAY	1	RS****PE	
	DA63-03531D		PP, T1.8, MANHATTAN SILVER	1	RS****MH	
	DA63-03531E		PP, T1.8, NOBLE STS	1	RS****RS	
	DA63-03531F		PP, T1.8, INOX	1	RS****IS	
	DA63-04559G		PP, T1.8, BRILLIANT GOLD	1	RS****AW	
	DA63-05031A		HM09, PP, PLATINUM SILVER, 55MM	1	RS21H**FH/SW	
	DA63-05031B		HM09, PP, EVE FLOWER WINE, 55MM	1	RS21H**PM	
	DA63-05031C		HM09, PP, STS-KP, 55MM	1	RS21H**PN	
	DA63-05031D		HM09, PP, I-BLACK, 55MM	1	RS21H**BP	
	DA63-05031E		HM09, PP, INOX, 55MM	1	RS21H**IS	
	DA63-05031F		HM09, PP, DAISY BEGIE	1	RS****	
	DA63-05031G		HM09, PP, TITAN GRAY(SC-03186R), 55MM	1		
	DA63-05031H		HM09, PP, VANILLA BEIGE, 55MM	1	RS21H**VB	
DA63-05031J	HM09, PP, BRILLIANT GOLD(SC-05149R), 55MM	1				
DA63-05031K	HM09, PP, PLATINUM SILVER, 55MM	1	RS21H**TS			
44	DA97-05202E	ASSY COVER-COMP	HERMES-PJT, SBHG1, T0.3	1		SA
45	DA97-02682A	ASSY WATER-VALVE	220~240V, 1.0~8.0	1	240V	SA
	DA97-02682B		110~127V, 1.0~8.0	1	120V	
46	DA61-01181A	FIXER HOSE-REAR FRAME	ABS BLACK	1		SA
47	DA61-03298C	BRACKET-HINGE LOW	AL(6063), T2.9, W55.4, L42.1, 1.5mm	1		SA
	DA61-03614B		HERMES	1		
	DA61-03036D		AT06	1		
48	DA39-00057C	CBF-POWER CORD	BP-3(SA16A), HOUSING TYPE	1	XFA	SA
	DA39-00059B		SP-3, HOUSING TYPE	1	SWS	
	DA39-10003E		EP-2(125V/12A), HOUSING TYPE	1	SCL	
	DA39-10106F		AP-3, HOUSING TYPE	1	RAD, XSA	
	DA39-10115D		UCP-2, 250V, 10/16A, L2100, VDE, 300, 3, 1	1	BULB WITH USER, H/AC/VAG/VEE/REF/REG/VEH/VEU/REP/RES/SG/USE	
	DA39-10127D		WS-013, HOUSING TYPE	1	G	
	DA39-10139D		WS-013, HOUSING TYPE	1	XME	
	DA39-10139E		BF-3(APPROVED, BK168), HOUSING TYPE	1	XSS	
	DA39-10164E		BF-3(BSI), HOUSING TYPE	1	XEU	
	DA39-10165C		SPT-3, HOUSING TYPE	1	XAP, XEM	

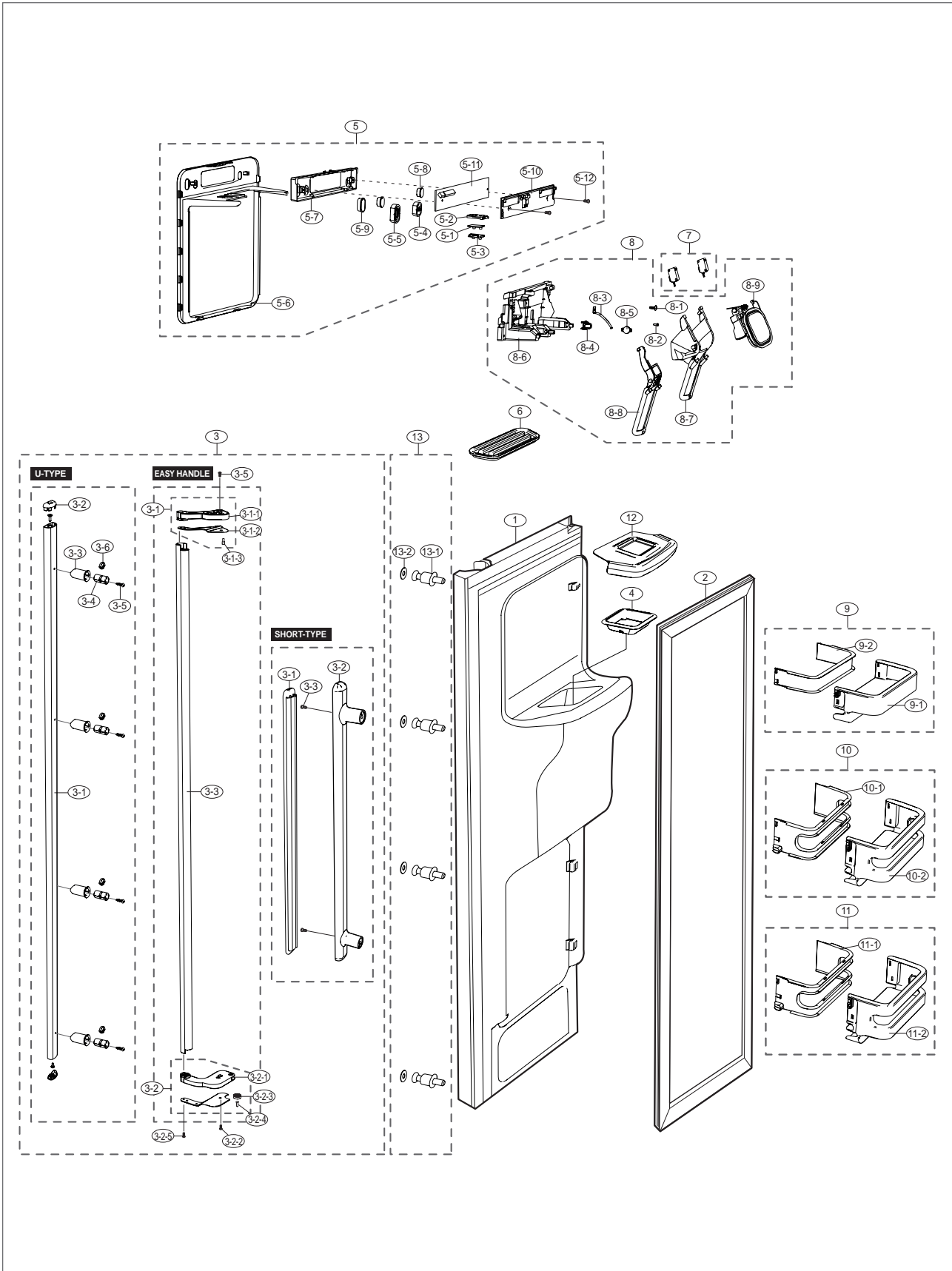
EXPLODED VIEW & PART LIST

■ Parts List of Cabinet (RSJ1/RS21/23H)

NO	CODE NO	PART NAME	Spec	Quantity	Remark	SA/SNA
48	3903-000153	CBF-POWER CORD	EP-2(250V/12A),HOUSING TYPE	1	SAM,XTC	SA
	3903-000310		TP2,HOUSING TYPE	1	XST	
	3903-000161		EP2,HOUSING(2P),125V,11A,BLK	1	XTW	
49	DA41-00442Q	PBA SUB-INVERTER	HERMES-PJT,TOP,FR-1,1.6	1	XSC	SA

EXPLODED VIEW & PART LIST

5-4) Freezer Door (RSJ1)



EXPLODED VIEW & PART LIST

Parts List of Freezer Door(RSJ1)

NO	CODE NO	PART NAME	Spec	Quantity	Remark	SA/SNA
1	DA91-02459A	ASSY-DOOR FOAM FRE	JM,55mm, EASY HANDLE	1		SNA
2	DA97-04567C	ASSY-GASKET DOOR FRE	SF-PVC	1		SA
3	EASY HANDLE			1	RSJ1*E**	
3-1	DA97-05173A	ASSY-CAP-HANDLE-FRE-UPP	HERMES, SNOW WHITE	1	RSJ1*ESV	SA
	DA97-05173B		HERMES, I-BLACK	1	RSJ1*EBP	
	DA97-05173C		HERMES, TITAN GRAY	1	RSJ1*EPS	
	DA97-05173D		HERMES, MANHATTAN SILVER	1	RSJ1*EMH	
	DA97-05173E		HERMES, NOBLE STS	1	RSJ1*ERS	
3-1-1	DA67-01684A	CAP-HANDLE-FRE-UPP	JM,PC-ABS,WHITE	1	RSJ1*ESV	SNA
	DA67-01684B		JM,PC-ABS,I-BLACK	1	RSJ1*EBP	
	DA67-01684C		JM,PC-ABS,TITAN GRAY,PLATINUM-SILVER(SC-05010S)	1	RSJ1*EPS	
	DA67-01684D		JM,PC-ABS,MANHATTAN SILVER,MANHATTAN SILVER(SC-06036S)	1	RSJ1*EMH	
	DA67-01684E		JM,PC-ABS,NOBLE STS,VERSAILLES STS(SC-05061S)	1	RSJ1*ERS	
3-1-2	DA61-03407A	REINF-HANDLE-FRE-UPP	SHP1,T2.0,ZPC3-W	1	RSJ1*E**	SA
3-1-3	6006-001170	SCREW-TAPPING	TH,M4,L12,ZPC(WHT)	1		SA
3-2	DA97-05175A	ASSY-CAP-HANDLE-FRE-LOW	HERMES, SNOW WHITE	1	RSJ1*ESV	SA
	DA97-05175B		HERMES, I-BLACK	1	RSJ1*EBP	
	DA97-05175C		HERMES, TITAN GRAY	1	RSJ1*EPS	
	DA97-05175D		HERMES, MANHATTAN SILVER	1	RSJ1*EMH	
	DA97-05175E		HERMES, NOBLE STS	1	RSJ1*ERS	
3-2-1	DA67-01685A	CAP-HANDLE-FRE-LOW	JM,PC-ABS,WHITE	1	RSJ1*ESV	SNA
	DA67-01685B		JM,PC-ABS,I-BLACK	1	RSJ1*EBP	
	DA67-01685C		JM,PC-ABS,TITAN GRAY,PLATINUM-SILVER(SC-05010S)	1	RSJ1*EPS	
	DA67-01685D		JM,PC-ABS,MANHATTAN SILVER,MANHATTAN SILVER(SC-06036S)	1	RSJ1*EMH	
	DA67-01685E		JM,PC-ABS,NOBLE STS,VERSAILLES STS(SC-05061S)	1	RSJ1*ERS	
3-2-2	6006-001170	SCREW TAPPING	TH,M4,L12,ZPC(WHT)	1		SA
3-2-3	DA66-00448A	ROLLER LEVER LINK,A	CULLINAN,POM,NEO-VICTORY GRAY(SC-02684R),EASY-OPEN	1	RSJ1*E**	SNA
3-2-4	DA81-01304A	PIN ROLLER EASY	SCP1	1	RSJ1*E**	SNA
3-2-5	DA61-03408A	REINF-HANDLE-FEF-LOW	SHP1,T2.0,ZPC3-W	1	RSJ1*E**	SA
3-3	DA64-02691A	HANDLE-BAR	JM,GRAY,SPRAY(VICTORY SILVER : SC-016459)	1	RSJ1*EPS	SA
	DA64-02691D		JM,AL(A6063),SC-07018T(BALLENTINE BLACK)	1	RSJ1*EBP	
	DA64-02691B		JM,AL(A6063),SC-05016T(SNOW WHITE)	1	RSJ1*ESV	
	DA64-02691C		JM,AL(A6063),SC-06034T(INOX)	1		
3-4	6002-001227	SCREW-TAPPING	TH,+,-,1,M4,L25,ZPC(WHT),SWRCH18A	1	RSJ1*E	SA
3-5	6001-000715	SCREW-MACHINE	TH,M5,L16,ZPC(WHT),SWRCH18A	1	RSJ1*E	SA
3	U TYPE HANDLE			1	RSJ1*U**	
3-1	DA64-02152A	HANDLE-BAR(U TYPE HANDLE)	JM,AL(A6063),HALF CIRCLES, HAIRLINE, LONG	1	RSJ1*USV	SA
	DA64-02152C		"JM,AL(A6063),1609,NATURAL SILVER,HALF CIRCLES, HAIRLINE, LONG"	1	RSJ1*UPS	
	DA64-02152E		JM,AL(A6063),1609,INOX,HALF CIRCLES, HAIRLINE, LONG	1	RSJ1*UMH/RS	
	DA64-02152F		"JM,AL(A6063),1609,Ballentine Black,HALF CIRCLES, HAIRLINE, LONG"	1	RSJ1*UBP	
3-2	DA67-01669B	CAP-HANDLE	JM,ABS,SILVER	1		SA
	DA67-01669C		JM,ABS,NEO VICTORY GRAY	1		SA
3-3	DA67-01809B	CAP-SUPPORT HANDLE	JM,ABS,SC-00477R(I-BLACK),ONE TOUCH	4	RSJ1*UBP	SA
	DA67-01809C		JM,ABS,SC-05010S(PLATINUM-SILVER),ONE TOUCH	4	RSJ1*UPS/SV	
	DA67-01673G		JM,ABS,SC-06036S(MANHATTAN SILVER),ONE TOUCH	4	RSJ1*UMH/RS	
3-4	DA61-03726A	SUPPORT-HANDLE	HERMES,NY66,NTR	4		SA
3-5	6009-001512	SCREW-SPECIAL	BH,+,-,M4,L16,ZPC(WHT),SWRCH18A	4		SA
3-6	DA61-03636A	STOPPER-HANDLE	CULLINAN,SK5	4		SA
3	SHORT TYPE			1	RSJ1*S**	
3-1	DA64-02150B	HANDLE-FRONT	"JM,AL(A6063),SC-07018T(Ballentine Black),SHORT, HAIRLINE"	1	RSJ1*SBP	SA
	DA64-02150C		JM,AL(A6063),SC-06147T(Natural Silver),SHORT, HAIRLINE	1	RSJ1*SSV/PS	
	DA64-02150E		JM,AL(A6063),SC-06034T(INOX),SHORT, HAIRLINE	1	RSJ1*SMH/RS	
3-2	DA64-02133B	HANDLE-BASE	JM,AL(A6063),SC-06034T(INOX),SHORT, HAIRLINE	1		
	DA64-02133C		JM,ABS,T3.0,SC-00477R(I-BLACK),SHORT	1		

EXPLODED VIEW & PART LIST

■ Parts List of Freezer Door(RSJ1)

NO	CODE NO	PART NAME	Spec	Quantity	Remark	SA/SNA
3-2	DA64-02133D	HANDLE-BASE	JM,ABS,T3.0,SC-06036S(MANHATTAN SILVER),SHORT	1	RSJ1*SMH/RS	SA
3-3	6001-000716	SCREW-MACHINE	TH,+,-,M5,L16,ZPC(WHT),MSWR10	2		SA
4	DA67-01667A	CAP-CHUTE ICE	HERMES,ABS,T1.8,SC-02740R(COOL-WHITE),DISP, 55mm	1		SA
5	DA97-05024U	ASSY-COVER DISPENSER	JM-PJT,SNOW-WHITE	1	RSJ1**SV	SA
	DA97-05024V		JM,SC-00477R(I-BLACK)	1	RSJ1**BP	
	DA97-05024W		JM,SC-05010S(PLATINUM-SILVER)	1	RSJ1**PS	
	DA97-05024X		JM,SC-06036S(MANHATTAN SILVER)	1	RSJ1**MH	
	DA97-05024Y		JM,SC-05061S(VERSAILLES STS)	1	RSJ1**RS	
5-1	DA41-00217A	ASS'Y-LAMP,PBA(NEXT)	AD,DOOR FRE,FR-1,31*17,DISPENSER LAMP,12V,60HZ	1		SNA
5-2	DA67-01012G	CAP-LAMP,PCB	AD,ABS,T1.8,NTR	1		SNA
5-3	DA63-03914A	GASKET-LAMP,PCB	AD,SILICON,T0.5,NTR,DISP,LED 1EA	1		SNA
5-4	DA63-03589A	GROMMET-BUTTON CONTROL A	JM,SILICON,T1.5,BLACK,DISP, 40°Δ	1		SA
5-5	DA63-03590A	GROMMET-BOTTON CONTROL B	JM,SILICON,T1.5,BLACK,DISP, 40°Δ	2		SA
5-6	DA63-03587F	COVER-DISPENSER	JM,ABS,T2.0,SC-07057S(JM HALF WHITE),DISP	1	RSJ1**SV	SA
	DA63-03587G		JM,ABS,T2.0,SC-07040S(HALF BLACK),DISP	1	RSJ1**BP	
	DA63-03587C		JM,ABS,T2.0,SC-05010S(PLATINUM-SILVER),DISP	1	RSJ1**PS	
	DA63-03587D		JM,ABS,T2.0,SC-06036S(MANHATTAN SILVER),DISP	1	RSJ1**MH	
	DA63-03587E		JM,ABS,T2.0,SC-05061S(VERSAILLES STS),DISP	1	RSJ1**RS	
5-7	DA63-03591B	COVER-CONTROL WINDOW FRE	JM,ABS,T2.0,NTR,DISP	1		SA
5-8	DA64-02129F	BUTTON-CONTROL A	JM,ABS,SC-07057S(JM HALF WHITE),DISP	1	RSJ1**SV	SA
	DA64-02129G		JM,ABS,SC-07040S(HALF BLACK),DISP	1	RSJ1**BP	
	DA64-02129C		JM,ABS,SC-05010S(PLATINUM-SILVER),DISP	1	RSJ1**PS	
	DA64-02129D		JM,ABS,SC-06036S(MANHATTAN SILVER),DISP	1	RSJ1**MH	
	DA64-02129E		JM,ABS,SC-05061S(VERSAILLES STS),DISP	1	RSJ1**RS	
5-9	DA64-02130G	BUTTON-CONTROL B	JM,ABS,SC-07057S(JM HALF WHITE),DISP	2	RSJ1**SV	SA
	DA64-02130H		JM,ABS,SC-07040S(HALF BLACK),DISP	2	RSJ1**BP	
	DA64-02130C		JM,ABS,SC-05010S(PLATINUM-SILVER),DISP	2	RSJ1**PS	
	DA64-02130D		JM,ABS,SC-06036S(MANHATTAN SILVER),DISP	2	RSJ1**MH	
	DA64-02130E		JM,ABS,SC-05061S(VERSAILLES STS),DISP	2	RSJ1**RS	
	DA64-02130F		JM,ABS,SC-06148R(JM BLUE),DISP	2	RSJ1	
5-10	DA63-03578B	COVER-PBA PANEL	JM,PP,T1.8,NTR,DISP	1		SA
5-11	DA41-00454A	PBA DISPLAY-LED PANEL PBA	JM-PJT	1		SA
5-12	6002-000630	SCREW-TAPPING	TH3*8	2		SA
6	DA63-03586G	TRAY DISPENSER	JM,ABS,T2.5,(SC-07057S)JM HALF WHITE,DISP	1	RSJ1**SV	SA
	DA63-03586H		JM,ABS,T2.5,(SC-07040S)HALF BLACK,DISP	1	RSJ1**BP	
	DA63-03586C		JM,ABS,T2.5,SC-05010S(PLATINUM-SILVER),DISP	1	RSJ1**PS	
	DA63-03586D		JM,ABS,T2.5,SC-06036S(MANHATTAN SILVER),DISP	1	RSJ1**MH	
	DA63-03586E		JM,ABS,T2.5,SC-05061S(VERSAILLES STS),DISP	1	RSJ1**RS	
7	DA34-00011B	SWITCH-MICRO	MICRO,250V,15A,	2		SA
8	DA97-05028D	ASSY-COVER PBA PANEL REAR	HERMES-PJT,LEVER(INSET)	1		SA
8-1	6002-000213	SCREW-TAPPING	TH,+,-,1,M4,L12	1		SA
8-2	6002-000630	SCREW-TAPPING	PH,+,-,2S,M3,L8,ZPC(YEL)	1		SA
8-3	DA61-03643A	SPRING ETC-LEVER DISP WATER	HERMES,STS 304 3/4H	1		SA
8-4	DA61-01868B	BRACKET-OIL DAMPER	ABS,AD,NTR	1		SA
8-5	DA61-01869A	OIL DAMPER	POM,120g/Cm,OD15	1		SA
8-6	DA63-03588A	COVER-PBA PANEL REAR	JM,ABS,T2.0,WHITE,DISP	1		SA
8-7	DA66-00453A	LEVER DISPENSER-ICE	JM,PC,T2.5,CRYSTAL,DISP	1		SNA
8-8	DA66-00454A	LEVER DISPENSER-WATER	JM,PC,T2.5,CRYSTAL,DISP	1		SNA
8-9	DA97-04131H	ASSY COVER-ICE ROUTE	HERMES-PJT,NATURAL	1		SA
9	DA97-04969B	ASSY GUARD FRE-TOP	HERMES PJT,JM	1		SA
9-1	DA63-03557B	GUARD FRE-TOP	HIPS	1		SA
9-2	DA63-03559B	COVER-GUARD FRE TOP	ABS	1		SA
10	DA97-04970A	ASSY GUARD-FRE MID	HERMES PJT,JM	1		SA
10-1	DA63-03556A	GUARD-FRE MID	ABS	1		SA
10-2	DA63-03558A	COVER-GUARD FRE LOW	ABS	1		SA

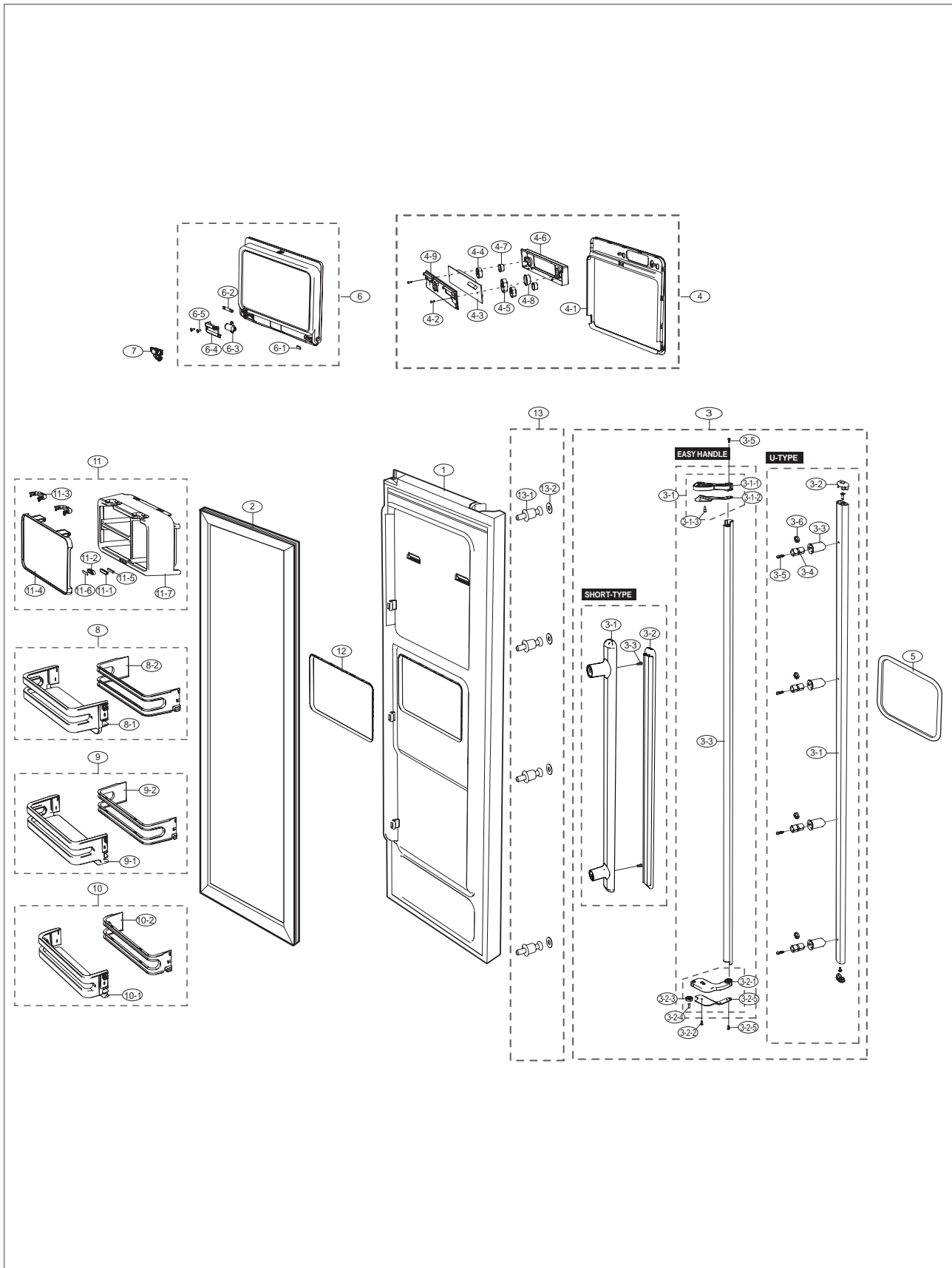
EXPLODED VIEW & PART LIST

■ Parts List of Freezer Door(RSJ1)

NO	CODE NO	PART NAME	Spec	Quantity	Remark	SA/SNA
11	DA97-04971B	ASSY GUARD FRE-LOW	HERMES PJT,JM	1		SA
11-1	DA63-03555B	GUARD-FRE LOW	HIPS	1		SA
11-2	DA63-03558A	COVER-GUARD FRE LOW	ABS	1		SA
12	DA63-03729C	GUARD-FRE SUB	HERMES,PP	1		SA
13	DA97-05529C	ASSY-BRACKET HANDLE	HREMES-PJT,SWCH10A	4		SA
13-1	DA61-03725B	BRACKET-HANDLE	HERMES,SWCH10A,L31	4		SA
13-2	DA63-03840A	GROMMET-HANDLE	HERMES,SILICON,T1,NTR,DISP, 40°	4		SA

EXPLODED VIEW & PART LIST

5-5) Fridge Door (RSJ1)



EXPLODED VIEW & PART LIST

■ Parts List of Fridge Door(RSJ1)

NO	CODE NO	PART NAME	Spec	Quantity	Remark	SA/SNA
1	DA91-02458A	ASSY DOOR FOAM REF	JM,55mm, EASY HANDLE	1		SNA
2	DA97-04567C	ASSY-GASKET DOOR REF	SF-PVC	1		SA
3	EASY HANDLE			1	RSJ1*E**	
3-1	DA97-05174A	ASSY-CAP-HANDLE-REF-UPP	HERMES, SNOW WHITE	1	RSJ1*ESV	SA
	DA97-05174B		HERMES, I-BLACK	1	RSJ1*EBP	
	DA97-05174C		HERMES, TITAN GRAY	1	RSJ1*EPS	
	DA97-05174D		HERMES, MANHATTAN SILVER	1	RSJ1*EMH	
	DA97-05174E		HERMES, NOBLE STS	1	RSJ1*ERS	
3-1-1	DA67-01682A	CAP-HANDLE-REF-UPP	JM,PC-ABS,WHITE	1	RSJ1*ESV	SNA
	DA67-01682B		JM,PC-ABS,I-BLACK	1	RSJ1*EBP	
	DA67-01682C		JM,PC-ABS,TITAN GRAY,PLATINUM-SILVER(SC-05010S)	1	RSJ1*EPS	
	DA67-01682D		JM,PC-ABS,MANHATTAN SILVER,MANHATTAN SILVER(SC-06036S)	1	RSJ1*EMH	
	DA67-01682E		JM,PC-ABS,NOBLE STS,VERSAILLES STS(SC-05061S)	1	RSJ1*ERS	
3-1-2	DA61-03405A	REINF-HANDLE-REF-UPP	SHP1,T2.0,ZPC3-W	1	RSJ1*E**	SA
3-1-3	6006-001170	SCREW-TAPPING	TH,M4,L12,ZPC(WHT)	1		SA
3-2	DA97-05176A	ASSY-CAP-HANDLE-REF-LOW	HERMES, SNOW WHITE	1	RSJ1*ESV	SA
	DA97-05176B		HERMES, I-BLACK	1	RSJ1*EBP	
	DA97-05176C		HERMES, TITAN GRAY	1	RSJ1*EPS	
	DA97-05176D		HERMES, MANHATTAN SILVER	1	RSJ1*EMH	
	DA97-05176E		HERMES, NOBLE STS	1	RSJ1*ERS	
3-2-1	DA67-01683A	CAP-HANDLE-REF-LOW	JM,PC-ABS,WHITE	1	RSJ1*ESV	SNA
	DA67-01683B		JM,PC-ABS,I-BLACK	1	RSJ1*EBP	
	DA67-01683C		JM,PC-ABS,TITAN GRAY,PLATINUM-SILVER(SC-05010S)	1	RSJ1*EPS	
	DA67-01683D		JM,PC-ABS,MANHATTAN SILVER,MANHATTAN SILVER(SC-06036S)	1	RSJ1*EMH	
	DA67-01683E		JM,PC-ABS,NOBLE STS,VERSAILLES STS(SC-05061S)	1	RSJ1*ERS	
3-2-2	6006-001170	SCREW TAPPING	TH,M4,L12,ZPC(WHT)	1		SA
3-2-3	DA66-00448A	ROLLER LEVER LINK,A	CULLINAN,POM,NEO-VICTORY GRAY(SC-02684R),EASY-OPEN	1	RSJ1*E**	SNA
3-2-4	DA81-01304A	PIN ROLLER EASY	SCP1	1	RSJ1*E**	SNA
3-2-5	DA61-03406A	REINF-HANDLE-REF-LOW	SHP1,T2.0,ZPC3-W	1	RSJ1*E**	SA
3-3	DA64-02142A	HANDLE-BAR	JM,GRAY,SPRAY(VICTORY SILVER : SC-016459)	1	RSJ1*EPS	SA
	DA64-02142B		JM,AL(A6063),SC-07018T(BALLEENTEINE BLACK)	1	RSJ1*EBP	
	DA64-02691B		JM,AL(A6063),SC-05016T(SNOW WHITE)	1	RSJ1*ESV	
	DA64-02142E		JM,AL(A6063),SC-06034T(INOX)	1	RSJ1*EMH/RS	
3-4	6002-001227	SCREW-TAPPING	TH,+,-,1,M4,L25,ZPC(WHT),SWRCH18A	1	RSJ1*E	SA
3-5	6001-000715	SCREW-MACHINE	TH,M5,L16,ZPC(WHT),SWRCH18A	1	RSJ1*E	SA
3	U TYPE HANDLE			1	RSJ1*U**	
3-1	DA64-02152A	HANDLE-BAR(U TYPE HANDLE)	JM,AL(A6063),HALF CIRCLES, HAIRLINE, LONG	1	RSJ1*USV	SA
	DA64-02152C		"JM,AL(A6063),1609,NATURAL SILVER,HALF CIRCLES, HAIRLINE, LONG"	1	RSJ1*UPS	
	DA64-02152E		JM,AL(A6063),1609,INOX,HALF CIRCLES, HAIRLINE, LONG	1	RSJ1*UMH/RS	
	DA64-02152F		"JM,AL(A6063),1609,Ballenteine Black,HALF CIRCLES, HAIRLINE, LONG"	1	RSJ1*UBP	
3-2	DA67-01669B	CAP-HANDLE	JM,ABS,SILVER	1		SA
3-3	DA67-01669C	CAP-SUPPORT HANDLE	JM,ABS,NEO VICTORY GRAY	1		SA
	DA67-01809B		JM,ABS,SC-00477R(I-BLACK),ONE TOUCH	4	RSJ1*UBP	
	DA67-01809C		JM,ABS,SC-05010S(PLATINUM-SILVER),ONE TOUCH	4	RSJ1*UPS	
	DA67-01809D		JM,ABS,SC-06036S(MANHATTAN SILVER),ONE TOUCH	4	RSJ1*UMH/R S/SV	
3-4	DA61-03726A	SUPPORT-HANDLE	HERMES,NY66,NTR	4		SA
3-5	6009-001512	SCREW-SPECIAL	BH,+,-,M4,L16,ZPC(WHT),SWRCH18A	4		SA
3-6	DA61-03636A	STOPPER-HANDLE	CULLINAN,SK5	4		SA
3	SHORT TYPE			1	RSJ1*S**	
3-1	DA64-02150B	HANDLE-FRONT	"JM,AL(A6063),SC-07018T(Ballenteine Black),SHORT, HAIRLINE"	1	RSJ1*SBP	SA
	DA64-02150C		JM,AL(A6063),SC-06147T(Natural Silver),SHORT, HAIRLINE	1	RSJ1*SSV/PS	
	DA64-02150E		JM,AL(A6063),SC-06034T(INOX),SHORT, HAIRLINE	1	RSJ1*SMH/RS	
3-2	DA64-02133B	HANDLE-BASE	JM,ABS,T3.0,SC-00477R(I-BLACK),SHORT	1	RSJ1*SBP	SA
	DA64-02133C		JM,ABS,T3.0,SC-05010S(PLATINUM-SILVER),SHORT	1	RSJ1*SSV/PS	

EXPLODED VIEW & PART LIST

■ Parts List of Fridge Door(RSJ1)

NO	CODE NO	PART NAME	Spec	Quantity	Remark	SA/SNA
3-2	DA64-02133D	HANDLE-BASE	JM,ABS,T3.0,SC-06036S(MANHATTAN SILVER),SHORT	1	RSJ1*SMH/RS	SA
3-3	6001-000716	SCREW-MACHINE	TH,+,-,M5,L16,ZPC(WHT),MSWR10	1		SA
4	DA97-05549B	ASSY-COVER BRACKET,FRAME	HERME-PJT,ABS,SNOW-WHITE(SC-97527R),JM-DOOR	1	RSJ1K*SV	SA
	DA97-05549C		HERMES PJT,ABS, I-BLACK(SC-00477R),JM	1	RSJ1K*BP	
	DA97-05549D		HERMES PJT,ABS,T-GRY(SC-03186R),JM,P-SIL(SC-05010S)"	1	RSJ1K*PS	
	DA97-05549E		HERMES PJT,ABS,M-SIL(SC-06036R),JM,M-SIL(SC-06036S)"	1	RSJ1K*MH	
	DA97-05549F		HERMES PJT,ABS,V-ST5(SC-04084R),JM,V-SIL(SC-05061S)"	1	RSJ1K*RS	
	DA97-05549G		HERMES,ABS, S-WHT(SC-97527R),DISPENSER,H/B	1	RSJ1F*SV	
	DA97-05549H		HERMES,ABS,I-BLK(SC-00477R),DISPENSER,H/B	1	RSJ1F*BP	
	DA97-05084H		HERMES,ABS,T-GRY(SC-03186R),P-SIL(SC-05010S),DISPENSER,H/B	1	RSJ1F*PS	
	DA97-05084J		HERMES,ABS,M-SIL(SC-06036R),M-SIL(SC-06036S),DISPENSER,H/B	1	RSJ1F*MH	
	DA97-05549J		HERMES,ABS,V-ST5(SC-04084R),V-SIL(SC-05061S),DISPENSER,H/B	1	RSJ1F*RS	
4-1	DA63-03597F	COVER-BRACKET FRAME	HERME-PJT,ABS,T2.5,JM HALF WHITE(SC-07057S)	1	RSJ1K/F*SV	SA
	DA63-03597G		HERME-PJT,ABS,T2.5,HALF BLACK(SC-07040S)	1	RSJ1K/F*BP	
	DA63-03597C		HERMES,ABS,T2.5,T-GRY,PS_SPRAY	1	RSJ1K/F*PS	
	DA63-03597D		HERMES,ABS,T2.5,M-SIL,M-SIL_SPRAY	1	RSJ1K/F*MH	
	DA63-03597E		HERMES,ABS,T2.5,V-ST5,V-SIL_SPRAY	1	RSJ1K/F*RS	
4-2	6002-000466	SCREW-TAPPING	PH,+,-,2S,M3,L8,ZPC(WHT),S	2		SA
4-3	DA41-00453A	PBA DISPLAY-LED	JM-PJT,Europe,FR-4,196*40.5*11.6,R_Door,Dispenser+CoolZone,Vacation,12V,5V,50Hz	1	RSJ1K/J	SA
	DA41-00453B	PANEL PBA	JM-PJT,Europe,FR-4,196*40.5*11.6,R_Door,Dispenser,Vacation,12V,5V,50Hz	1	RSJ1F	
4-4	DA63-03589A	GROMMET-BUTTON CONTROL_A	SILICON,	1		SA
4-5	DA63-03590A	GROMMET-BUTTON CONTROL_B	SILICON,	2		SA
4-6	DA63-03599B	COVER-CONTROL WINDOW REF	HERMES-PJT,ABS,T2.0,NTR,JM-DOOR	1		SA
4-7	DA64-02129F	BUTTON-CONTROL A	JM,ABS,SC-07057S(JM HALF WHITE),DISP	1	RSJ1**SV	SA
	DA64-02129G		JM,ABS,SC-07040S(HALF BLACK),DISP	1	RSJ1**BP	
	DA64-02129C		JM,ABS,SC-05010S(PLATINUM-SILVER),DISP	1	RSJ1**PS	
	DA64-02129D		JM,ABS,SC-06036S(MANHATTAN SILVER),DISP	1	RSJ1**MH	
	DA64-02129E		JM,ABS,SC-05061S(VERSAILLES STS),DISP	1	RSJ1**RS	
4-8	DA64-02130G	BUTTON-CONTROL B	JM,ABS,SC-07057S(JM HALF WHITE),DISP	2	RSJ1**SV	SA
	DA64-02130H		JM,ABS,SC-07040S(HALF BLACK),DISP	2	RSJ1**BP	
	DA64-02130C		JM,ABS,SC-05010S(PLATINUM-SILVER),DISP	2	RSJ1**PS	
	DA64-02130D		JM,ABS,SC-06036S(MANHATTAN SILVER),DISP	2	RSJ1**MH	
	DA64-02130E		JM,ABS,SC-05061S(VERSAILLES STS),DISP	2	RSJ1**RS	
	DA64-02130F		JM,ABS,SC-06148R(JM BLUE),DISP	2		
4-9	DA63-03578B	COVER-PBA PANEL	JM,PP,T1.8,NTR,DISP	1		SA
5	DA63-01584U	GASKET-HOMEBAR	HERMES PJT,SF-PVC,W228,L328,SEMI GRAY	1	RSJ1K/F*SV/PS	SA
	DA63-01584T		HERMES PJT,SF-PVC,W228,L328,LUXURY BLK	1	RSJ1K/F*BP/MH/RS	
6	DA97-05077Y	ASSY-HOME BAR FOAM	HERME-PJT,JM HALF WHT,HALF GLOSSY	1	RSJ1K/F*SV	SA
	DA97-05077Z		HERME-PJT,HALF BLK,HALF GLOSSY	1	RSJ1K/F*BP	
	DA97-06207A		JM-PJT,P-SIL,SC-05010S	1	RSJ1K/F*PS	
	DA97-06207C		JM-PJT,M-SIL,SC-06036S	1	RSJ1K/F*MH	
	DA97-06207B		JM-PJT,V-ST5,SC-05061S	1	RSJ1K/F*RS	
6-1	DA67-00638A	CAP-H/B DOOR IN	A-TOP,SILICON,SC-01625R,CREAM-WHT,A-TOP	1	RSJ1K/F*SV	SA
	DA67-00638L		NEXT-PJT, HOME-BAR,SILICON,I-BLACK,SC-00477R	1	RSJ1K/F*BP	
	DA67-00638C		A-TOP,SILICON,VICTORY-GRAY,SC-01645R	1	RSJ1K/F*PS	
	DA67-00638M		NEXT-PJT, HOME-BAR,SILICON,STAINLESS-PLATINUM,SC-03172R	1	RSJ1K/F*MH/RS	
6-2	DA66-00205C	SHAFT-DMAPER HOMBAR	CULLINAN,STS304,45.6	1		SA
6-3	DA97-03956D	ASSY-DAMPER HOME BAR	HERMES,EXPORT,10TORQUE	1		SA
6-4	DA67-01676A	CAP-OIL DAMPER	HERME-PJT,ABS,T2.5,SNOW-WHITE(SC-97527R)	1	RSJ1K/F*SV	SA
	DA67-01676B		HERME-PJT,ABS,T2.5,I-BLACK(SC-00477R)	1	RSJ1K/F*BP	
	DA67-01676C		HERME-PJT,ABS,T2.5,TITAN GRAY(SC-03186R)	1	RSJ1K/F*PS	
	DA67-01676D		HERME-PJT,ABS,T2.5,MANHATTAN SILVER(SC-06036R)	1	RSJ1K/F*MH	
	DA67-01676E		HERME-PJT,ABS,T2.5,Versailles STS(SC-04084R)	1	RSJ1K/F*RS	
6-5	6002-000213	SCREW-TAPPING	TH,M4,L12,ZPC(WHT)	2		SA
7	DA97-05083B	ASS'Y-LATCH	HERME-PJT,POM, BLK	1		SA

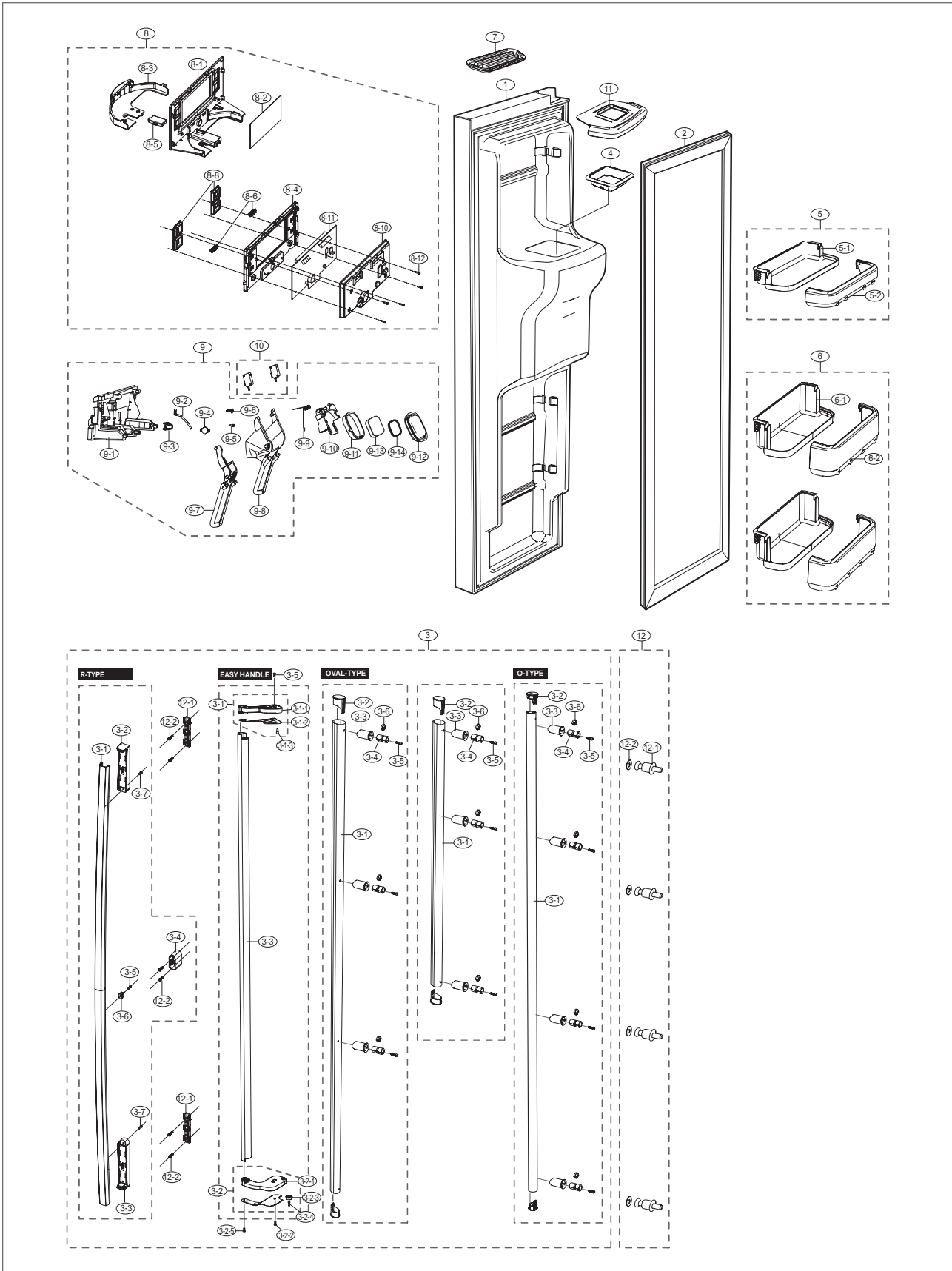
EXPLODED VIEW & PART LIST

■ Parts List of Fridge Door(RSJ1)

NO	CODE NO	PART NAME	Spec	Quantity	Remark	SA/SNA
8	DA97-04972A	ASSY GUARD REF-TOP	HERMES PJT,JM	1	RSJ1K/F	SA
8-1	DA63-03562A	GUARD REF-TOP	ABS	1		SA
8-2	DA63-03560A	COVER-GUARD REF TOP	ABS	1		SA
9	DA97-04973B	ASSY GUARD-REF MID	HERMES PJT,JM	1		SA
9-1	DA63-03563A	GUARD REF-MID	ABS	1		SA
9-2	DA63-03561A	COVER-GUARD REF MID	ABS	1		SA
9-3	DA61-03604A	GUIDE-BOTTLE	STS304,Ø5.5	1		SA
10	DA97-04974A	ASSY GUARD REF-LOW	HERMES PJT,JM	1		SA
10-1	DA63-03564A	GUARD REF-LOW	ABS	1		SA
10-2	DA63-03565A	COVER-GUARD REF LOW	ABS	1		SA
11	DA97-05022F	ASSY CASE-DAIRY	HERMES PJT,COOL WHITE,JM(HIPS)	1		SA
11-1	DA67-01680B	CAP-MAGNET DAIRY CASE	HERMES PJT,ABS,T2.0,COOL WHITE(SC02740R),JM	1		SA
11-2	DA67-01681B	CAP-PLATE DAIRY CASE	HERMES PJT,SAN,T2.0,TRANSPARENCE,JM	1		SA
11-3	DA67-01679B	CAP-SHAFT DAIRY CASE	ABS	2		SA
11-4	DA63-03611C	COVER-DAIRY CASE	HERMES PJT,GPPS,TRANSPARENCE,JM	1		SA
11-5	3302-001333	MAGNET-RARE EARTH	AG,3400GAUSS,1120GAUSS,28MGOE,40X6X5MM	1		SNA
11-6	DA61-03420A	PLATE-DAIRY CASE	HERMES PJT,STS430,T0.6,W5,L40	1		SA
11-7	DA61-03410A	CASE-DAIRY	HERMES PJT,HIPS/HG1760SF,COOL WHITE(SC02740R),JM	1		SA
12	DA64-02139A	TRIM-CASE BRACKET OUT	PP,335.4,COOL-WHITE(SC-02740R),JM-DOOR	1		SA
13	DA97-05529C	ASSY-BRACKET HANDLE	HERMES-PJT,SWCH10A	4		SA
13-1	DA61-03725B	BRACKET-HANDLE	HERMES,SWCH10A,L31	4		SA
13-2	DA63-03840A	GROMMET-HANDLE	HERMES,SILICON,T1,NTR,DISP, 40°	4		SA

EXPLODED VIEW & PART LIST

5-6 Freezer Door (RS21/23H)



EXPLODED VIEW & PART LIST

Freezer Door (RS21/23H)

NO	CODE NO	PART NAME	Spec	Quantity	Remark	SA/SNA
1	DA91-02528A	ASSY-DOOR FOAM FRE	HERMES,55mm,SW,EASY	1	RS21H	SNA
	DA91-02569A		HERMES,85mm,SW,B,T TYPE HANDLE	1	RS23H	
2	DA97-04567C	ASSY-GASKET DOOR FRE	SF-PVC	1		SA
3	EASY HANDLE			1	RS21H*E**	
3-1	DA97-05173A	ASSY-CAP-HANDLE-FRE-UPP	HERMES, SNOW WHITE	1	RS21H*ESW	SA
	DA97-05173B		HERMES, I-BLACK	1	RS21H*EBP	
	DA97-05173C		HERMES, TITAN GRAY	1	RS21H*EPE	
	DA97-05173D		HERMES, MANHATTAN SILVER	1	RS21H*EMH	
	DA97-05173E		HERMES, NOBLE STS	1	RS21H*ERS	
	DA97-05173G		HERMES, CROWN ROYAL	1	RS21H*EIS	
3-1-1	DA67-01684A	CAP-HANDLE-FRE-UPP	JM,PC-ABS,WHITE	1	RS21H*ESW	SNA
	DA67-01684B		JM,PC-ABS,I-BLACK	1	RS21H*EBP	
	DA67-01684C		JM,PC-ABS,TITAN GRAY,PLATINUM-SILVER(SC-05010S)	1	RS21H*EPE	
	DA67-01684D		JM,PC-ABS,MANHATTAN SILVER,MANHATTAN SILVER(SC-06036S)	1	RS21H*EMH	
	DA67-01684E		JM,PC-ABS,NOBLE STS,VERSAILLES STS(SC-05061S)	1	RS21H*ERS	
	DA67-01684G		JM,PC-ABS,CROWN ROYAL(SC-07025S)	4	RS21H*EIS	
3-1-2	DA61-03407A	REINF-HANDLE-FRE-UPP	JM,SHP1,T2.0,ZPC2	2	RS21H*E**	SA
3-1-3	6006-001170	SCREW-TAPPING	TH,M4,L12,ZPC(WHT)	1		SA
3-2	DA97-05175A	ASSY-CAP-HANDLE-FRE-LOW	HERMES, SNOW WHITE	1	RS21H*ESW	SA
	DA97-05175B		HERMES, I-BLACK	2	RS21H*EBP	
	DA97-05175C		HERMES, TITAN GRAY	4	RS21H*EPE	
	DA97-05175D		HERMES, MANHATTAN SILVER	4	RS21H*EMH	
	DA97-05175E		HERMES, NOBLE STS	1	RS21H*ERS	
	DA97-05175M		HERMES, STS GRAY	1	RS21H*EIS	
3-2-1	DA67-01685A	CAP-HANDLE-FRE-LOW	JM,PC-ABS,WHITE	2	RS21H*ESW	SNA
	DA67-01685B		JM,PC-ABS,I-BLACK	1	RS21H*EBP	
	DA67-01685C		JM,PC-ABS,TITAN GRAY,PLATINUM-SILVER(SC-05010S)	4	RS21H*EPE	
	DA67-01685D		JM,PC-ABS,MANHATTAN SILVER,MANHATTAN SILVER(SC-06036S)	4	RS21H*EMH	
	DA67-01685E		JM,PC-ABS,NOBLE STS,VERSAILLES STS(SC-05061S)	1	RS21H*ERS	
	DA67-01685M		JM,PC-ABS,STS GRAY,G31576C	1	RS21H*EIS	
3-2-2	6006-001170	SCREW TAPPING	TH,M4,L12,ZPC(WHT)	1		SA
3-2-3	DA66-00448A	ROLLER LEVER LINK,A	CULLINAN,POM,NEO-VICTORY GRAY(SC-02684R),EASY-OPEN	1	RS21H*E**	SNA
3-2-4	DA81-01304A	PIN ROLLER EASY	MSWR10,°C 5,TRIVALEN CR Coat	2	RS21H*E**	
3-2-5	DA61-03408A	REINF-HANDLE-FRE-LOW	JM,SHP1,T2.0,ZPC2	1	RS21H*E**	SA
3-3	DA64-02142A	HANDLE-BAR	JM,GRAY,SPRAY(VICTORY SILVER : SC-016459)	1	RS21H*EPE	SA
	DA64-02142B		JM,AL(A6063),SC-07018T(BALLENTINE BLACK)	1	RS21H*EBP	
	DA64-02142C		JM,AL(A6063),SC-05016T(SNOW WHITE)	1	RS21H*ESW	
	DA64-02691C		JM,AL,SC-06034T(INOX)	1	RS21H*EMH/RS/IS	
3-4	6002-000548	SCREW-TAPPING	TH,+,2S,M4,L25,ZPC(WHT),STS304	1	RS21H*E	SA
3-5	6001-000716	SCREW-MACHINE	TH,+,M5,L16,ZPC(WHT),MSWR10	1	RS21H*E	SA
O TYPE HANDLE				1	RS21H/23H*B**	
3	DA97-05076S	ASSY-HANDLE BAR FRE	HERMES-PJT,SW(ONE TOUCH)	1	RS21H/23H*BSW	SA
	DA97-05076T		HERMES-PJT,BP(ONE TOUCH)	1	RS21H/23H*BBP	
	DA97-05076Q		HERMES,AL(A6063),L1637,CIRCLES,PLATINUM-SILVER,ONE TOUCH	1	RS21H/23H*BPE	
	DA97-05076R		HERMES-PJT,MH/RS/IS(ONE-TOUCH)	1	RS21H/23H*BMH/RS/IS	
3-1	DA64-02618A	HANDLE-BAR(O TYPE HANDLE)	HERMES,AL,T1.0,-,L1633,-,SC-05016T(SNOW WHITE)	1	RS21H/23H*BSW	SA
	DA64-02618F		HERMES-PJT,AL,T1.0,-,L1633,SC-03106T(Mature-black)	1	RS21H/23H*BBP	
	DA64-02618C		HERMES-PJT,AL,T1.0,L1633,SC-06147T(Natural Silver)	1	RS21H/23H*BPE	
	DA64-02618E		HERMES-PJT,AL,T1.0,L1633,SC-06034T(INOX)	1	RS21H/23H*BMH/RS/IS	
3-2	DA67-02024B	CAP-HANDLE SIDE	CORE,ABS,NTR,SILVER Plating	1	RS21H/23H*B	SA
	DA67-02024D		CORE,ABS,SNOW-WHITE	1	RS21H/23H*B	

EXPLODED VIEW & PART LIST

■ Freezer Door (RS21/23H)

NO	CODE NO	PART NAME	Spec	Quantity	Remark	SA/SNA
3-3	DA67-01810A	CAP-SUPPORT HANDLE	HERMES, SNOW WHITE	4	RS21H/23H*BSW	SA
	DA67-01810B		HERMES, I-BLACK	4	RS21H/23H*BBP	
	DA67-02009B		HERMES, PLATINUM PEARL GRAY,DAC-GR0802	4	RS21H/23H*BPE	
3-3	DA67-02009A	CAP-SUPPORT HANDLE	HERMES, MANHATTAN PEARL GRAY,DAC-GR071	4	RS21H/23H*BMH/RS/IS	
3-4	DA61-03726A	SUPPORT-HANDLE	HERMES,NY66,NTR	4		SA
3-5	6009-001512	SCREW-SPECIAL	BH,+,-,M4,L16,ZPC(WHT),SWRCH18A	4		SA
3-6	DA61-03636A	STOPPER-HANDLE	CULLINAN,SK5	4		SA
OVAL TYPE				1	RS21H/23H**	
3	DA97-05074U	ASSY-HANDLE BAR FRE	HERMES-PJT,SW(ONE-TOUCH)	1	RS21H/23H*BSW	SA
	DA97-05074X		HERMES-PJT,BP(ONE-TOUCH)	1	RS21H/23H*BBP	
	DA97-05074Y		HERMES-PJT,PE(ONE-TOUCH)	1	RS21H/23H*BPE	
	DA97-05074Z		HERMES-PJT,MH/RS/IS(ONE-TOUCH)	1	RS21H/23H*BMH/RS/IS	
3-1	DA64-02442A	HANDLE-BAR(OVAL TYPE HANDLE)	HERMES,AL,1633,SNOW-WHITE	1	RS21H/23H*BSW	SA
	DA64-02442D		HERMES,AL,1633,MATURE-BLACK	1	RS21H/23H*BBP	
	DA64-02442B		HERMES,AL1633,NATURAL-SILVER	1	RS21H/23H*BPE	
	DA64-02442C		HERMES,AL,1633,INOX	1	RS21H/23H*BMH/RS/IS	
3-2	DA67-01913A	CAP-HANDLE	HERMES,ABS,W20.8,L37.3,NEO VICTORY GRAY	1	RS21H/23H**	SA
	DA67-01913B		HERMES,ABS,W20.8,L37.3,SILVER	1	RS21H/23H**	
3-3	DA67-01810A	CAP-SUPPORT HANDLE	HERMES, SNOW WHITE	4	RS21H/23H*BSW	SA
	DA67-01810B		HERMES, I-BLACK	4	RS21H/23H*BBP	
	DA67-02009B		HERMES, PLATINUM PEARL GRAY,DAC-GR0802	4	RS21H/23H*BPE	
	DA67-02009A		HERMES, MANHATTAN PEARL GRAY,DAC-GR071	4	RS21H/23H*BMH/RS/IS	
3-4	DA61-03726A	SUPPORT-HANDLE	HERMES,NY66,NTR	4		SA
3-5	6009-001512	SCREW-SPECIAL	BH,+,-,M4,L16,ZPC(WHT),SWRCH18A	4		SA
3-6	DA61-03636A	STOPPER-HANDLE	CULLINAN,SK5	4		SA
SHORT-TYPE				1	RS21H/23H**	
3	DA97-05974A	ASSY-HANDLE BAR	HERMES,ABS, L928.5, ELLIPSE,SNOW WHITE,ONE TOUCH	1	RS21H/23H*BSW	SA
	DA97-05347H		HERMES,ABS, L928.5, ELLIPSE,I-BLACK,ONE TOUCH	1	RS21H/23H*BBP	
	DA97-05974E		HERMES,ABS, L928.5, ELLIPSE,PLATINUM-SILVER,ONE TOUCH	1	RS21H/23H*BPE	
	DA97-05974F		HERMES,ABS, L928.5, ELLIPSE,MH/RS/IS,ONE-TOUCH	1	RS21H/23H*BMH/RS/IS	
3-1	DA64-02443A	HANDLE-BAR(SHORT TYPE HANDLE)	HERMES,AL,L923.5,SNOW-WHITE	1	RS21H/23H*BSW	SA
	DA64-02234B		HERMES-PJT,ABS,I-BLACK(SC-00477R)	1	RS21H/23H*BBP	
	DA64-02443C		HERMES,AL,L923.5,MATURE-BLACK	1	RS21H/23H*BPE	
	DA64-02443D		HERMES,AL,L923.5,INOX	1	RS21H/23H*BMH/RS/IS	
3-2	DA67-01913B	CAP-HANDLE	HERMES,ABS,W20.8,L37.3,SILVER	2	RS21H/23H**	SA
3-3	DA67-01810A	CAP-SUPPORT HANDLE	HERMES, SNOW WHITE	4	RS21H/23H*BSW	SA
	DA67-01810B		HERMES, I-BLACK	4	RS21H/23H*BBP	
	DA67-02009B		HERMES, PLATINUM PEARL GRAY,DAC-GR0802	4	RS21H/23H*BPE	
	DA67-02009A		HERMES, MANHATTAN PEARL GRAY,DAC-GR071	4	RS21H/23H*BMH/RS/IS	
3-4	DA61-03726A	SUPPORT-HANDLE	HERMES,NY66,NTR	4		SA
3-5	6009-001512	SCREW-SPECIAL	BH,+,-,M4,L16,ZPC(WHT),SWRCH18A	4		SA
3-6	DA61-03636A	STOPPER-HANDLE	CULLINAN,SK5	4		SA
R TYPE HANDLE				1		
3	DA97-07724F	ASSY-HANDLE BAR	HERMES09,AL,SC-06034T(INOX)	1	RS21H/23H*R HANDLE	SA
	DA97-07724B		HERMES09,AL,SC-06147T(Natural Silver)	1	RS21H/23H*R HANDLE	
	DA97-07724C		HM09,AL,SC-06034T(INOX),VERSAILLES STS(SC-05061S)	1	RS21H/23H*R HANDLE	
	DA97-07724D		HM09,AL,SC-97527S(Snow White)	1	RS21H/23H*R HANDLE	
	DA97-07724E		HM09,AL,DAC-BR0901T(Vanilla Beige)	1	RS21H/23H*R HANDLE	

EXPLODED VIEW & PART LIST

Freezer Door (RS21/23H)

NO	CODE NO	PART NAME	Spec	Quantity	Remark	SA/SNA
3-1	DA64-03016E	HANDLE-BAR	HERMES09,AL,SC-06034T(INOX)	1	RS21H/23H*R HANDLE	SA
	DA64-03016B		HERMES09,AL,SC-06147T(Natural Silver)	1	RS21H/23H*R HANDLE	
	DA64-03016C		HM09,AL,SC-97527S(Snow White)	1	RS21H/23H*R HANDLE	
	DA64-03016D		HM09,AL,DAC-BR0901T(Vanilla Beige)	1	RS21H/23H*R HANDLE	
3-2	DA67-02361A	CAP-HANDLE UPP	HERMES09,ABS,MANHATTAN SILVER(SC-06036S)	1	RS21H/23H*R HANDLE	SA
	DA67-02361B		HERMES09,ABS,PLATINUM SILVER(SC-05010S)	1	RS21H/23H*R HANDLE	
	DA67-02361C		HERMES09,ABS,VERSAILLES STS(SC-05061S)	1	RS21H/23H*R HANDLE	
	DA67-02361D		HERMES09,ABS,SNOW WHITE,(SC-97527S)	1	RS21H/23H*R HANDLE	
	DA67-02361E		HERMES09,ABS,Vanilla Beige,(DAC-BRD901R),GLOSSY	1	RS21H/23H*R HANDLE	
3-3	DA67-02360A	CAP-HANDLE LOW	HERMES09,ABS,MANHATTAN SILVER(SC-06036S)	1	RS21H/23H*R HANDLE	SA
3-3	DA67-02360B	CAP-HANDLE LOW	HERMES09,ABS,PLATINUM SILVER(SC-05010S)	1	RS21H/23H*R HANDLE	SA
	DA67-02360C		HERMES09,ABS,VERSAILLES STS(SC-05061S)	1	RS21H/23H*R HANDLE	
	DA67-02360D		HERMES09,ABS,SNOW WHITE,(SC-97527S)	1	RS21H/23H*R HANDLE	
	DA67-02360E		HERMES09,ABS,Vanilla Beige,(DAC-BRD901R),GLOSSY	1	RS21H/23H*R HANDLE	
3-4	DA61-05338A	SUPPORT-HANDLE MID	HERMES09,ABS,MANHATTAN SILVER(SC-06036S)	1	RS21H/23H*R HANDLE	SA
	DA61-05338B		HERMES09,ABS,PLATINUM SILVER(SC-05010S)	1	RS21H/23H*R HANDLE	
	DA61-05338C		HM09,ABS,VERSAILLES STS(SC-05061S)	1	RS21H/23H*R HANDLE	
	DA61-05338D		HM09,ABS,SNOW WHITE(SC-97527R,GLOSSY	1	RS21H/23H*R HANDLE	
	DA61-05338E		HM09,ABS,Vanilla Beige(DAC-BR0901R),GLOSSY	1	RS21H/23H*R HANDLE	
3-5	6002-000215	SCREW-TAPTITE	TH,+,-,1,M4.0,L16,ZPC(WHT),SWRCH18A	1	RS21H/23H*R HANDLE	SA
3-6	DA63-00789A	GROMMET FIXER	EXP,PC-ABS,-,-,-,-,SILVER-GRAY,REAL-STAINLESS	1	RS21H/23H*R HANDLE	SA
3-7	6002-000215	SCREW-TAPTITE	TH,+,-,1,M4.0,L16,ZPC(WHT),SWRCH18A	2	RS21H/23H*R HANDLE	SA
12-1	DA61-05337A	FIXER-HANDLE	HERMES09,NY-66,NTR	2	RS21H/23H*R HANDLE	SA
12-2	6002-000613	SCREW-TAPPING	TH,+,-,2,M5,L16,ZPC(WHT),SWRCH18A	6	RS21H/23H*R HANDLE	SA
4	DA67-01667A	CAP-CHUTE ICE	HERMES,ABS,T1.8,SC-02740R(COOL-WHITE),DISP,55mm	1	RS21HK/J/F/D	SA
	DA67-01668A		HERMES,ABS,T1.8,SC-02740R(COOL-WHITE),DISP,85mm		RS23HK/F/D	
5	DA97-04967B	ASSY GUARD FRE-TOP	2 PIECE TYPE(GPPS+HIPS)	1	RS21HK/J	SA
	DA97-05090A		HERMES PJT,HERMES_85mm		RS23H	
5-1	DA63-03541B	GUARD-FRE TOP	HERMES PJT,ABS,T2.5,COOL WHITE(SC02740R),HERMES,55mm	1	RS21HK/J	SA
	DA63-03642A		HERMES PJT,PP,COOL WHITE,1PIECE	1	RS21HF/D/B/N	
	DA63-03651A		HERMES PJT,HERMES_85mm		RS23H	
5-2	DA63-03542A	COVER-GUARD FRE TOP	HERMES PJT,GPPS/HF2660S,T3.0,TRANSPARENCY,HERMES,55mm	1	RS21HK/J	SA
	DA63-03652A		HERMES PJT,GPPS,T3.0,TRANSPARENCE,HERMES_85mm		RS23H	
6	DA97-04968B	ASSY GUARD FRE-LOW	2 PIECE TYPE(GPPS+HIPS)	2	RS21HK/J	SA
	DA97-05091A		HERMES PJT,HERMES_85mm		RS23H	
6-1	DA63-03554B	GUARD FRE-LOW	HERMES PJT,ABS,T2.5,COOL WHITE(SC02740R),HERMES,55mm	2	RS21HK/J	SA
	DA63-03643A		HERMES PJT,PP,COOL WHITE,1PIECE	2	RS21HF/D/B/N	
	DA63-03654A		HERMES PJT,HERMES_85mm		RS23H	
6-2	DA63-03553A	COVER-GUARD FRE LOW	HERMES PJT,GPPS/HF2660S,T3.0,TRANSPARENCY,HERMES,55mm	2	RS21HK/J	SA
	DA63-03653A		HERMES PJT,GPPS,T3.0,TRANSPARENCE,HERMES_85mm		RS23H	
7	DA63-03580A	TRAY DISPENSER	HERMES,ABS,T2.5,SC-97527R(SNOW-WHITE),DISP	1	RSH**SW	SA
	DA63-03580B		HERMES,ABS,T2.5,SC-00477R(I-BLACK),DISP	1	RSH**BP	
	DA63-03580C		HERMES,ABS,T2.5,SC-05010S(PLATINUM-SILVER),DISP	1	RSH**PE	
	DA63-03580D		HERMES,ABS,T2.5,SC-06036S(MANHATTAN SILVER),DISP	1	RSH**MH	
	DA63-03580E		HERMES,ABS,T2.5,SC-05061S(VERSAILLES STS),DISP	1	RSH**RS/PN	
	DA63-03580G		HERMES,ABS,T2.5,SC-07025S(CROWN ROYAL),DISP	1	RSH**IS	
	DA63-03580J		HERMES,ABS,Tulip red wine(SC-06152R),DISP	1	RSH**AW	
	DA63-03580Q		HM09,ABS,ANDRE WHITE 2	1	RS21H*L*FH	
	DA63-03580R		HM09,ABS,EVE FLOWER WINE	1	RS21H*L*PN	
	DA63-03580S		HM09,ABS,VANILLA BEIGE	1	RS21H**VB	
OPTION						

EXPLODED VIEW & PART LIST

Freezer Door (RS21/23H)

NO	CODE NO	PART NAME	Spec	Quantity	Remark	SA/SNA
8	DA97-05718B	ASSY-COVER DISPENSER	HERMES-PJT,SNOW-WHITE,VACATION	1	RS21HK/J/23HK*SW	SA
	DA97-05718A		HERMES-PJT,SC-00477R(I-BLACK),VACATION	1	RS21HK/J/23HK*BP/PE/MH/RS/IS	
	DA97-05718L		HERMES-PJT,SC-97527R(SNOW WHITE),VACATION	1	RS21H/23HF/D*SW	
	DA97-05718M		HERMES-PJT,SC-00477R(I-BLACK),VACATION	1	RS21H/23HF/D*BP/PE/MH/RS/IS	
	DA97-05023E		HERMES-PJT,SNOW-WHITE,POWER COOL	1	RS21HK/J/23HK*SW	
	DA97-05023F		HERMES-PJT,SC-00477R(I-BLACK),POWER COOL	1	RS21HK/J/23HK*BP/PE/MH/RS/IS	
	DA97-05718N		HERMES-PJT,SC-97527R(SNOW WHITE),POWER COOL	1	RS21H/23HF/D*SW	
	DA97-05718P		HERMES-PJT,SC-00477R(I-BLACK),POWER COOL	1	RS21H/23HF/D*BP/PE/MH/RS/IS	
	DA97-05718D		HERMES-PJT,SC-97527R(SNOW WHITE),CHINA	1	RS21HZ*SW	
	DA97-05718E		HERMES-PJT,SC-00477R(I-BLACK),CHINA	1	RS21HV/S*BP/PE/MH/RS/IS	
DA97-05665S	HERMES-PJT,I-BLACK,F,D,K,TAIWAN	1	RS21HZ*AW			
8-1	DA63-03581A	COVER-DISPENSER	HERMES,ABS,T2.0,SC-97527R(SNOW-WHITE),DISP	1	RSH***SW	SA
	DA63-03581B		HERMES,ABS,T2.0,SC-00477R(I-BLACK)	1	RSH***BP/PE/MH/RS/IS	
8-2	DA63-03573Q	COVER-CONTROL,WINDOW FRE(DISP)	HERMES,ACRYL,T2.0,CRYSTAL,DISP,VACATION	1	RS21HK/J/23HK*SW	SA
	DA63-03573M		HERMES,ACRYL,T2.0,SC-06151R(SMOG),VACATION	1	RS21HK/J/23HK*BP/PE/MH/RS/IS	
	DA63-03573N		HERMES,ACRYL,T2.0,CRYSTAL,DISP,VACATION	1	RS21H/23HF/D*SW	
	DA63-03573P		HERMES,ACRYL,T2.0,SC-06151R(SMOG),VACATION	1	RS21H/23HF/D*BP/PE/MH/RS/IS	
	DA63-03573F		HERMES,ACRYL,T2.0,CRYSTAL,DISP,POWER COOL	1	RS21HK/J/23HK*SW	
8-2	DA63-03573G	COVER-CONTROL,WINDOW FRE(DISP)	HERMES,ACRYL,T2.0,SC-06151R(SMOG),POWER COOL	1	RS21HK/J/23HK*BP/PE/MH/RS/IS	SA
	DA63-03573S		HERMES,ACRYL,T2.0,CRYSTAL,DISP,POWER COOL	1	RS21H/23HF/D*SW	
	DA63-03573T		HERMES,ACRYL,T2.0,SC-06151R(SMOG),POWER COOL	1	RS21H/23HF/D*BP/PE/MH/RS/IS	
	DA63-03573U		HERMES,ACRYL,T2.0,CRYSTAL,DISP,CHINA	1	RS21HZ*SW	
	DA63-03573V		HERMES,ACRYL,T2.0,SC-06151R(SMOG),CHINA	1	RS21HV/S*BP/PE/MH/RS/IS	
	DA63-03573W		HERMES,ACRYL,T2.0,SC-06151R(SMOG),TAIWAN	1	RS21HZ*AW	
8-3	DA67-01012G	CAP-LAMP,PCB	AD,ABS,T1.8,-,-,NTR	1		SNA
8-4	DA41-00217A	PBA-LAMP ASSY	AD,DOOR FRE,FR-1,31*17,DISPENSER LAMP,12V,60HZ	1		SNA
8-5	DA63-03914A	GASKET-LAMP,PCB	AD,SILICON,T0.5,NTR,DISP,LED 1EA	1		SNA
8-6	DA64-02127C	BUTTON-CONTROL A	HERMES,ABS,SC-04120S(EMPIRE SILVER PLUS),DISP	2	RS21H/23H**SW	SA
	DA64-02127B		HERMES,ABS,SC-07010R(HERMES H SMOG),DISP	2	RS21H/23H**BP/PE/MH/RS/IS	
8-7	DA64-02128C	BUTTON-CONTROL B	HERMES,ABS,(SC-04120S)EMPIRE SILVER PLUS,DISP	3	RS21H/23H**SW	SA
	DA64-02128B		HERMES,ABS,SC-07010R(HERMES H SMOG),DISP	3	RS21H/23H**BP/PE/MH/RS/IS	
8-8	DA63-03584A	GROMMET-BUTTON CONTROL A	HERMES,SILICON,T1.5,BLACK,DISP,40°	2		SA
8-9	DA63-03585A	GROMMET-BUTTON CONTROL B	HERMES,SILICON,T1.5,BLACK,DISP,40°	1		SA
8-10	DA63-03576B	COVER-PBA PANEL	HERMES,PPT1.8,NTR,DISP	1		SA
8-11	DA41-00455C	PBA DISPLAY-LED PANEL PBA	HERMES-PJT,R-DOOR,FR-4,200*88.0*11.6,Dispenser+CoolZone,Vacation, °C, Inlay Color:Silver,12V,5V,50Hz	1	RS21HK/J/23HK*SW	SA
	DA41-00455A		HERMES-PJT,Europe,FR-4,200*86.0*11.6,Dispenser,C_room,Vacation, °C,12V,5V,50Hz	1	RS21HK/J/23HK*BP/PE/MH/RS/IS	
	DA41-00455D		HERMES-PJT,R-DOOR,FR-4,200*88.0*11.6,Dispenser,Vacation, °C, Inlay Color:Silver,12V,5V,50Hz	1	RS21H/23HF/D*SW	
	DA41-00455B		HERMES-PJT,Europe,FR-4,200*86.0*11.6,Dispenser,Vacation, °C,12V,5V,50Hz	1	RS21H/23HF/D*BP/PE/MH/RS/IS	
	DA41-00455J		HERMES-PJT,F-DOOR,FR-4,200*88.0*11.6,China,Blue LED,Dispenser+CoolZone, °C, Inlay Color:Black,12V,5V,50Hz	1	RS21HZ*AW(CHINA)	
	DA41-00455K		HERMES-PJT,R-DOOR,FR-4,200*88.0*11.6,China,Dispenser+CoolZone, °C, Inlay Color:Silver,12V,5V,50Hz	1	RS21HZ*SW(CHINA)	
	DA41-00501K		HERMES-PJT,F-DOOR,FR-4,200*88.0*11.6,Taiwan,Blue LED,Dispenser+CoolZone, °C, Inlay Color:Black,12V,5V,50Hz,N	1	RS21HZ*AW(TAIWAN)	
8-12	6002-000630	SCREW-TAPPING	PH,+,-,2S,M3,L8,ZPC(WHT),SWRCH18A	2		SA

HERMES 09

EXPLODED VIEW & PART LIST

Freezer Door (RS21/23H)

NO	CODE NO	PART NAME	Spec	Quantity	Remark	SA/SNA
18	DA97-07768A	ASSY-COVER DISPENSER(BASIC)"	HM09,VERSAILLES STS,CHIAN,BLUE LED	1		SA
	DA97-07768B		HM09,SNOW WHITE,CHIAN,BLUE LED	1		
	DA97-07768C		HM09,VERSAILLES STS,EUROPE,VACATION,Y/G,CONV	1		
	DA97-07768D		HM09,SNOW WHITE,EUROPE,VACATION,Y/G,CONV	1		
	DA97-07768E		HM09,PLATINUM SILVER,EUROPE,VACATION,Y/G,CONV	1		
	DA97-07768F		HM09,MANHATTAN SILVER,EUROPE,VACATION,Y/G,CONV	1		
	DA97-07768G		HM09,CROWN ROYAL,EUROPE,VACATION,Y/G,CONV	1		
	DA97-07768H		HM09,EMPIRE BLACK,EUROPE,VACATION,Y/G,CONV	1		
	DA97-07768J		HM09,VANILLA BEIGE,EUROPE,VACATION,Y/G,CONV	1		
	DA97-07768K		HM09,VERSAILLES STS,EUROPE,POWER COOL,Y/G,CONV	1		
	DA97-07768L		HM09,SNOW WHITE,EUROPE,POWER COOL,Y/G,CONV	1		
	DA97-07768M		HM09,PLATINUM SILVER,EUROPE,POWER COOL,Y/G,CONV	1		
	DA97-07768N		HM09,MANHATTAN SILVER,EUROPE,POWER COOL,Y/G,CONV	1		
	DA97-07768P		HM09,CROWN ROYAL,EUROPE,POWER COOL,Y/G,CONV	1		
	DA97-07768Q		HM09,EMPIRE BLACK,EUROPE,POWER COOL,Y/G,CONV	1		
	DA97-07768R		HM09,VANILLA BEIGE,EUROPE,POWER COOL,Y/G,CONV	1		
	DA97-07768S		HM09,VERSAILLES STS,EUROPE,VACATION,Y/G,DISP	1		
	DA97-07768T		HM09,SNOW WHITE,EUROPE,VACATION,Y/G,DISP	1		
	DA97-07768U		HM09,PLATINUM SILVER,EUROPE,VACATION,Y/G,DISP	1		
	DA97-07768V		HM09,MANHATTAN SILVER,EUROPE,VACATION,Y/G,DISP	1		
	DA97-07768W		HM09,CROWN ROYAL,EUROPE,VACATION,Y/G,DISP	1		
	DA97-07768X		HM09,EMPIRE BLACK,EUROPE,VACATION,Y/G,DISP	1		
	DA97-07768Y		HM09,VANILLA BEIGE,EUROPE,VACATION,Y/G,DISP	1		
	DA97-07768Z		HM09,VERSAILLES STS,EUROPE,POWER COOL,Y/G,DISP	1		
	DA97-07953A		HM09,SNOW WHITE,EUROPE,POWER COOL,Y/G,DISP	1		
	DA97-07953B		HM09,PLATINUM SILVER,EUROPE,POWER COOL,Y/G,DISP	1		
	DA97-07953C		HM09,MANHATTAN SILVER,EUROPE,POWER COOL,Y/G,DISP	1		
	DA97-07953D		HM09,CROWN ROYAL,EUROPE,POWER COOL,Y/G,DISP	1		
DA97-07953E	HM09,EMPIRE BLACK,EUROPE,POWER COOL,Y/G,DISP	1				
DA97-07953F	HM09,VANILLA BEIGE,EUROPE,POWER COOL,Y/G,DISP	1				
18-1	DA63-05054A	COVER-DISPENSER	HM09,ABS,NOBLE GRAY(SC-02008R),VERSAILLES STS(SC-05061S)	1		
	DA63-05054B		HM09,ABS,SNOW WHITE(SC-97527R),GLOSSY,CHIAN	1		
	DA63-05054C		HM09,ABS,VERSAILLES STS,EUROPE,VACATION	1		
	DA63-05054D		HM09,ABS,SNOW WHITE,EUROPE,VACATION	1		
	DA63-05054E		HM09,ABS,PLATINUM SILVER,EUROPE,VACATION	1		
	DA63-05054F		HM09,ABS,MANHATTAN SILVER,EUROPE,VACATION	1		
	DA63-05054G		HM09,ABS,CROWN ROYAL,EUROPE,VACATION	1		
	DA63-05054H		HM09,ABS,EMPIRE BLACK,EUROPE,VACATION	1		
	DA63-05054J		HM09,ABS,VANILLA BEIGE,EUROPE,VACATION	1		
	DA63-05054K		HM09,ABS,VERSAILLES STS,EUROPE, POWER COOL	1		
	DA63-05054L		HM09,ABS,SNOW WHITE,EUROPE, POWER COOL	1		
	DA63-05054M		HM09,ABS,PLATINUM SILVER,EUROPE, POWER COOL	1		
	DA63-05054N		HM09,ABS,MANHATTAN SILVER,EUROPE, POWER COOL	1		
	DA63-05054P		HM09,ABS,CROWN ROYAL,EUROPE, POWER COOL	1		
DA63-05054Q	HM09,ABS,EMPIRE BLACK,EUROPE, POWER COOL	1				
DA63-05054R	HM09,ABS,VANILLA BEIGE,EUROPE, POWER COOL	1				
18-2	DA63-05063B	COVER-CONTROL WINDOW FRE	HM09,ABS,NTR	1		
18-3	DA63-05057A	COVER-DISPENSER SUB	HM09-TK,ABS,ANDRE WHITE	1		
18-4	DA64-02982A	BUTTON-DISPENSER	HM09,ABS,TITAN GRAY(SC-03186R),TRUE SILVER(DAC-GR0813S)	1		
	DA64-02982B		HM09,ABS,TITAN GRAY(SC-03186R),TRUE SILVER(DAC-GR0813S),EUROPE	1		
	DA64-02982C		HM09,ABS,NOBLE GRAY,VERSAILLES STS	1		
18-5	DA97-02847B	ASSY-LAMP DOOR	AW-PJT	1		

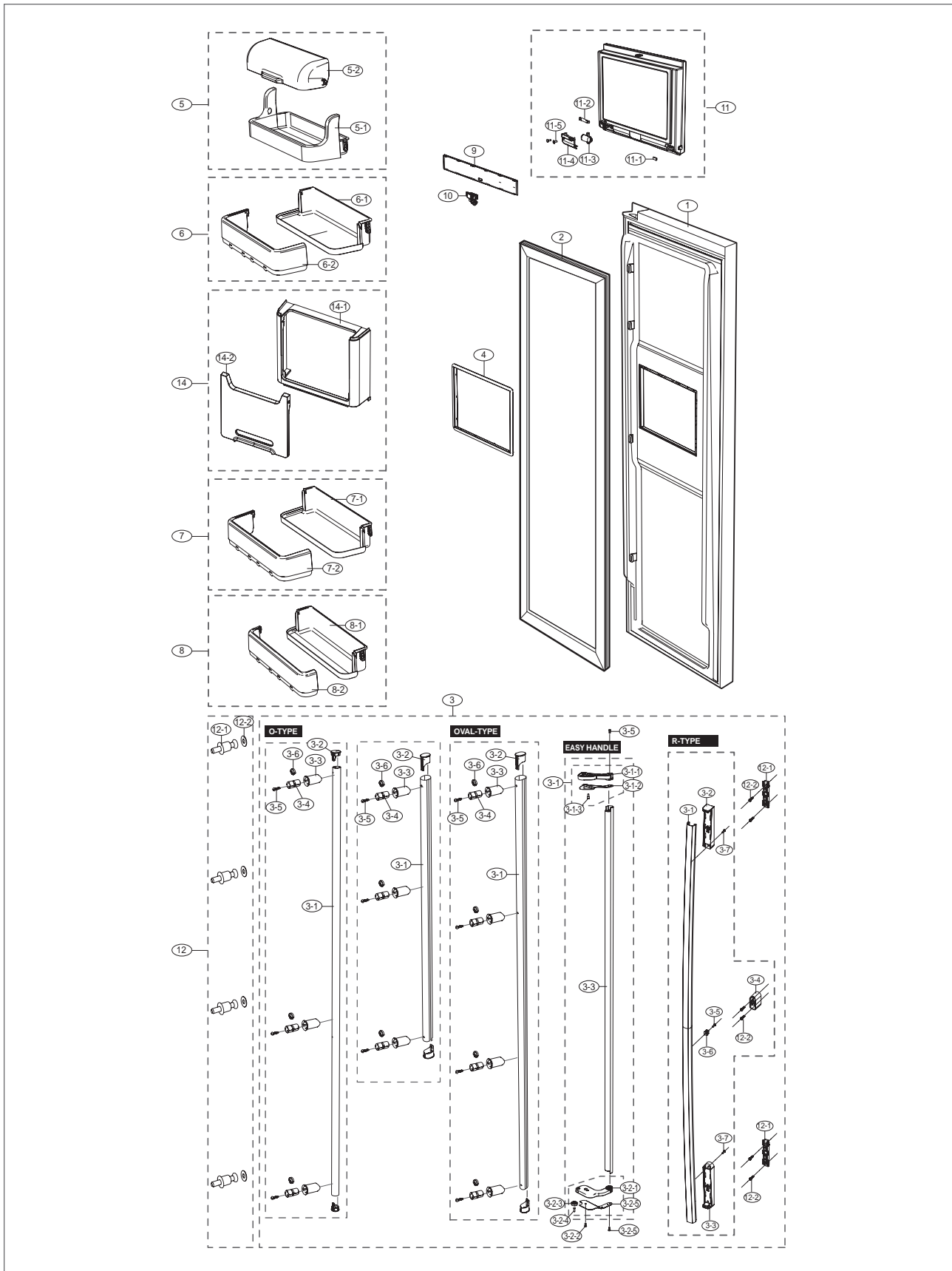
EXPLODED VIEW & PART LIST

Freezer Door (RS21/23H)

NO	CODE NO	PART NAME	Spec	Quantity	Remark	SA/SNA
18-6	DA64-02983A	DECORATION-BUTTON CONTROL	HM09,ABS,NTR,PNC2	2		SA
18-8	DA63-05059A	GROMMET-BUTTON	HM09,SILICON,BLACK	3		SA
18-10	DA63-05058A	COVER-PBA PANEL DISPENSER	HM09,ABS,NTR	1		SA
18-11	DA41-00637A	PBA DISPLAY-LED PANEL PBA	HM09,Blue LED, DISPENSER+CoolSelectZone,Vacation, 'C LED PANEL PBA, Inlay Color:Black	1		SA
	DA41-00637B		HM09,BLUE LED, Dispenser+CoolSelect Zone,Vacation,'C, Inlay Color:Silver,12V,	1		
	DA41-00637C		HM09,BLUE LED, Dispenser+CoolSelect Zone, PowerCool, 'C, Inlay Color:Black,12V	1		
	DA41-00637D		HM09,BLUE LED, Dispenser+CoolSelect Zone,Power Cool,'C, Inlay Color:Silver,12V	1		
	DA41-00637E		HM09,BLUE LED, Dispenser,Vacation,'C, Inlay Color:Black,12V, 5V,50 Hz,N	1		
	DA41-00637F		HM09,BLUE LED, Dispenser,Vacation,'C, Inlay Color:Silver,12V, 5V,50 Hz,N	1		
	DA41-00637G		HM09,BLUE LED, Dispenser,PowerCool,'C, Inlay Color:Black,12V, 5V,50 Hz,N	1		
	DA41-00637H		HM09, BLUE LED, Dispenser,Power Cool,'C, Inlay Color:Silver,12V, 5V,50 Hz,N	1		
	DA41-00637J		HM09,China,BLUE LED, Dispenser+CoolSelect Zone,Vacation,'C, Inlay Color:Black,	1		
	DA41-00645A		HM09,Y/G LED,,DISPENSER+CoolSelectZone,Vacation, 'C , Inlay Color:Black,12V	1		
	DA41-00645B		HM09,Y/G LED,,DISPENSER COOLZONE,PowerCool, 'C , Inlay Color:Black,12V, 5V,50Hz,	1		
	DA41-00645C		HM09,Y/G LED,,DISPENSER,Vcation, 'C , Inlay Color:Black,12V, 5V,50Hz,N	1		
DA41-00645D	HM09,Y/G LED,,DISPENSER,PowerCool, 'C , Inlay Color:Black,12V, 5V,50Hz,N	1				
18-12	6003-000333	SCREW-TAPTITE	RH,+,-,2S,M3,L10,ZPC(WHT),SWRCH18A,-	5		SA
19	DA97-02050L	ASSY-COVER PCB PANEL REAR	A-TOP 06,EXP,I-BLACK	1		SA
	DA97-04950Z		HERMES,ASSY,SAN(LEVER),TRP,One Piece	1		
	DA97-07774A		HM09,ASSY,SAN(LEVER),TRP,One Piece	1		
19-1	DA63-03259A	COVER-PCB PANEL, REAR	A-TOP 06,ABS(HG-0760H),EXP,I-BLACK	1		SA
	DA63-03259C		A-TOP 06,ABS(HG-0760H),-,-,-,-,EXP,NATURAL,-	1		
19-2	DA61-01616A	SPPING-LEVER DISP WATER	SK5,T0.5	2		SA
19-3	DA61-01868A	BRACKET-OIL DAMPER	ABS,SC-93437	4		SA
	DA61-01868B		ABS,AD,-,-,-,NTR,-	4		
19-4	DA61-01869A	DAMPER-OIL	POM,120g/Cm,OD15	4		SA
19-5	6002-000630	SCREW-TAPPING	PH,+,-,2S,M3,L8,ZPC(WHT),SWRCH18A,-	1		SA
19-6	6002-000473	SCREW-TAPPING	TH,+,-,NO,1,M4,L14,PASS,STS304	1		SA
19-7	DA66-00454A	LEVER DISPENSER-WATER	HERMES,SAN,T3.0,62,168.6,-,TRP,One Piece	1		SNA
	DA66-00685A		HM09,SAN,NTR	1		
19-8	DA66-00453A	LEVER DISPENSER-ICE	HERMES,SAN,T3.0,106.5,164.1,-,TRP,One Piece	1		SNA
	DA66-00684A		HM09,SAN,NTR	1		
19-9	DA61-01651A	SPRING-COVER ICE ROUTE	AD,STS304,1.0,6.6	4		SNA
19-10	DA63-01970A	COVER-ICE ROUTE A	AD,ABS,T2.5,BLACK	1		SNA
19-11	DA63-01971A	COVER-ICE ROUTE B	AD,ABS,T1.8,BLACK	1		SNA
	DA63-01971B		AD,ABS,T1.8,NATURAL	1		
19-12	DA63-03375A	GASKET-COVER ICE ROUTE	AD,SILICON,T1.5,-,-,BLACK,-,-	1		SNA
19-13	DA62-00058E	SEAL-COVER ICE,ROUTE	AD,FOAM-LEX,WHITE,T12,64,64,-	1		SNA
19-14	DA62-00058F	SEAL-COVER ICE,ROUTE	AD,FOAM-LEX,WHITE,T5,54.5,54.5,-	1		SNA
10	DA34-00011B	SWITCH-MICRO	MICRO,250V,15A,	1		SA
11	DA63-03729C	GUARD-FRE SUB	HERMES,PP,COOL-WHITE	1		SA
	DA63-03729D		HERMES,PP,COOL-WHITE,CHINESE LABEL(XSC)	1	CHINA	
12	DA97-05529C	ASSY-BRACKET HANDLE	HREMES-PJT,SWCH10A	4		SA
12-1	DA61-03725B	BRACKET-HANDLE	HERMES,SWCH10A,L31	4		SA
12-2	DA63-03840A	GROMMET-HANDLE	HERMES,SILICON,T1,NTR,DISP, 40°	4		SA

EXPLODED VIEW & PART LIST

5-7) Fridge Door (RS21/23H)



EXPLODED VIEW & PART LIST

Parts List of Freezer Door (RS21/23H)

NO	CODE NO	PART NAME	Spec	Quantity	Remark	SA/SNA
1	DA91-02525A	ASSY DOOR FOAM REF	HERMES,EASY,55mm,SW	1	RS21H	SNA
	DA91-02566A		HERMES,SW,B,T,H/B,85mm	1	RS23H	SA
2	DA97-04567D	ASSY-GASKET DOOR REF	SF-PVC	1		
3	EASY HANDLE			1	RS21H*E**	
3-1	DA97-05174A	ASSY-CAP-HANDLE-REF-UPP	HERMES, SNOW WHITE	1	RS21H*ESW	SA
	DA97-05174B		HERMES, I-BLACK	1	RS21H*EBP	
	DA97-05174C		HERMES, TITAN GRAY	1	RS21H*EPE	
	DA97-05174D		HERMES, MANHATTAN SILVER	1	RS21H*EMH	
	DA97-05174E		HERMES, NOBLE STS	1	RS21H*ERS	
	DA97-05174G		HERMES, CROWN ROYAL	1	RS21H*EIS	
3-1-1	DA67-01682A	CAP-HANDLE-REF-UPP	JM,PC-ABS,WHITE	1	RS21H*ESW	SNA
	DA67-01682B		JM,PC-ABS,I-BLACK	2	RS21H*EBP	
	DA67-01682C		JM,PC-ABS,TITAN GRAY,PLATINUM-SILVER(SC-05010S)	1	RS21H*EPE	
	DA67-01682D		JM,PC-ABS,MANHATTAN SILVER,MANHATTAN SILVER(SC-06036S)	1	RS21H*EMH	
	DA67-01682E		JM,PC-ABS,NOBLE STS,VERSAILLES STS(SC-05061S)	1	RS21H*ERS	
	DA67-01682G		JM,PC-ABS,CROWN ROYAL(SC-07025S)	1	RS21H*EIS	
3-1-2	DA61-03405A	REINF-HANDLE-REF-UPP	SHP1,T2.0,ZPC2	1	RS21H*E**	SA
3-1-3	6006-001170	SCREW-TAPPING	TH,M4,L12,ZPC(WHT)	1		SA
3-2	DA97-05176A	ASSY-CAP-HANDLE-REF-LOW	HERMES, SNOW WHITE	1	RS21H*ESW	SA
	DA97-05176B		HERMES, I-BLACK	1	RS21H*EBP	
	DA97-05176C		HERMES, TITAN GRAY	1	RS21H*EPE	
	DA97-05176D		HERMES, MANHATTAN SILVER	1	RS21H*EMH	
	DA97-05176E		HERMES, NOBLE STS	1	RS21H*ERS	
	DA97-05176M		HERMES, STS GRAY	1	RS21H*EIS	
3-2-1	DA67-01683A	CAP-HANDLE-REF-LOW	JM,PC-ABS,WHITE	1	RS21H*ESW	SA
	DA67-01683B		JM,PC-ABS,I-BLACK	1	RS21H*EBP	
	DA67-01683C		JM,PC-ABS,TITAN GRAY,PLATINUM-SILVER(SC-05010S)	1	RS21H*EPE	
	DA67-01683D		JM,PC-ABS,MANHATTAN SILVER,MANHATTAN SILVER(SC-06036S)	1	RS21H*EMH	
	DA67-01683E		JM,PC-ABS,NOBLE STS,VERSAILLES STS(SC-05061S)	1	RS21H*ERS	
	DA67-01683M		JM,PC-ABS,STS GRAY,G31576C	1	RS21H*EIS	
3-2-2	6006-001170	SCREW TAPPING	TH,M4,L12,ZPC(WHT)	1		SA
3-2-3	DA66-00448A	ROLLER LEVER LINK,A	CULLINAN,POM,NEO-VICTORY GRAY(SC-02684R),EASY-OPEN	1	RS21H*E**	SNA
3-2-4	DA81-01304A	PIN ROLLER EASY	MSWR10,°C 5,TRIVALEN CR Coat	1	RS21H*E**	SNA
3-2-5	DA61-03406A	REINF-HANDLE-REF-LOW	SHP1,T2.0,ZPC3-W	1	RS21H*E**	SA
3-3	DA64-02142A	HANDLE-BAR	JM,GRAY,SPRAY(VICTORY SILVER : SC-016459)	1	RS21H*EPE	SA
	DA64-02142B		JM,AL(A6063),SC-07018T(BALLENTINE BLACK)	1	RS21H*EBP	
	DA64-02142C		JM,AL(A6063),SC-05016T(SNOW WHITE)	1	RS21H*ESW	
	DA64-02691C		JM,AL,SC-06034T(INOX)	1	RS21H*EMH/RS/IS	
3-4	6002-000548	SCREW-TAPPING	TH,+,2S,M4,L25,ZPC(WHT),STS304	1	RS21H*E	SA
3-5	6001-000716	SCREW-MACHINE	TH,+,M5,L16,ZPC(WHT),MSWR10	1	RS21H*E	SA
O TYPE HANDLE				1	RS21H/23H*B**	
3	DA97-05075S	ASSY-HANDLE BAR REF	HERMES-PJT,SW(ONE TOUCH)	1	RS21H/23H*BSW	SA
	DA97-05075T		HERMES-PJT,BP(ONE TOUCH)	1	RS21H/23H*BBP	
	DA97-05075Q		HERMES-PJT,PE(ONE-TOUCH)	1	RS21H/23H*BPE	
	DA97-05075R		HERMES-PJT,MH/RS/IS(ONE-TOUCH)	1	RS21H/23H*BMH/RS/IS	
3-1	DA64-02618A	HANDLE-BAR(O TYPE HANDLE)	HERMES,AL,T1.0,-L1633,-,SC-05016T(SNOW WHITE)	1	RS21H/23H*BSW	SA
	DA64-02618F		HERMES-PJT,AL,T1.0,L1633,SC-03106T(Mature-black)	1	RS21H/23H*BBP	
	DA64-02618C		HERMES-PJT,AL,T1.0,L1633,SC-06147T(Natural Silver)	1	RS21H/23H*BPE	
	DA64-02618E		HERMES-PJT,AL,T1.0,L1633,SC-06034T(INOX)	1	RS21H/23H*BMH/RS/IS	
3-2	DA67-02024B	CAP-HANDLE SIDE	CORE,ABS,NTR,SILVER Plating	1	RS21H/23H*B	SA
	DA67-02024D		CORE,ABS,SNOW-WHITE	1	RS21H/23H*B	
3-3	DA67-01810A	CAP-SUPPORT HANDLE	HERMES, SNOW WHITE	1	RS21H/23H*BSW	SA
	DA67-01810B		HERMES, I-BLACK	4	RS21H/23H*BBP	
	DA67-02009B		HERMES, PLATINUM PEARL GRAY,DAC-GR0802	4	RS21H/23H*BPE	

EXPLODED VIEW & PART LIST

Parts List of Freezer Door (RS21/23H)

NO	CODE NO	PART NAME	Spec	Quantity	Remark	SA/SNA
1	DA91-02525A	ASSY DOOR FOAM REF	HERMES,EASY,55mm,SW	1	RS21H	SNA
	DA91-02566A		HERMES,SW,B,T,H/B,85mm	1	RS23H	SA
2	DA97-04567D	ASSY-GASKET DOOR REF	SF-PVC	1		
3	EASY HANDLE			1	RS21H*E**	
3-1	DA97-05174A	ASSY-CAP-HANDLE-REF-UPP	HERMES, SNOW WHITE	1	RS21H*ESW	SA
	DA97-05174B		HERMES, I-BLACK	1	RS21H*EBP	
	DA97-05174C		HERMES, TITAN GRAY	1	RS21H*EPE	
	DA97-05174D		HERMES, MANHATTAN SILVER	1	RS21H*EMH	
	DA97-05174E		HERMES, NOBLE STS	1	RS21H*ERS	
	DA97-05174G		HERMES, CROWN ROYAL	1	RS21H*EIS	
3-1-1	DA67-01682A	CAP-HANDLE-REF-UPP	JM,PC-ABS,WHITE	1	RS21H*ESW	SNA
	DA67-01682B		JM,PC-ABS,I-BLACK	2	RS21H*EBP	
	DA67-01682C		JM,PC-ABS,TITAN GRAY,PLATINUM-SILVER(SC-05010S)	1	RS21H*EPE	
	DA67-01682D		JM,PC-ABS,MANHATTAN SILVER,MANHATTAN SILVER(SC-06036S)	1	RS21H*EMH	
	DA67-01682E		JM,PC-ABS,NOBLE STS,VERSAILLES STS(SC-05061S)	1	RS21H*ERS	
	DA67-01682G		JM,PC-ABS,CROWN ROYAL(SC-07025S)	1	RS21H*EIS	
3-1-2	DA61-03405A	REINF-HANDLE-REF-UPP	SHP1,T2.0,ZPC2	1	RS21H*E**	SA
3-1-3	6006-001170	SCREW-TAPPING	TH,M4,L12,ZPC(WHT)	1		SA
3-2	DA97-05176A	ASSY-CAP-HANDLE-REF-LOW	HERMES, SNOW WHITE	1	RS21H*ESW	SA
	DA97-05176B		HERMES, I-BLACK	1	RS21H*EBP	
	DA97-05176C		HERMES, TITAN GRAY	1	RS21H*EPE	
	DA97-05176D		HERMES, MANHATTAN SILVER	1	RS21H*EMH	
	DA97-05176E		HERMES, NOBLE STS	1	RS21H*ERS	
	DA97-05176M		HERMES, STS GRAY	1	RS21H*EIS	
3-2-1	DA67-01683A	CAP-HANDLE-REF-LOW	JM,PC-ABS,WHITE	1	RS21H*ESW	SA
	DA67-01683B		JM,PC-ABS,I-BLACK	1	RS21H*EBP	
	DA67-01683C		JM,PC-ABS,TITAN GRAY,PLATINUM-SILVER(SC-05010S)	1	RS21H*EPE	
	DA67-01683D		JM,PC-ABS,MANHATTAN SILVER,MANHATTAN SILVER(SC-06036S)	1	RS21H*EMH	
	DA67-01683E		JM,PC-ABS,NOBLE STS,VERSAILLES STS(SC-05061S)	1	RS21H*ERS	
	DA67-01683M		JM,PC-ABS,STS GRAY,G31576C	1	RS21H*EIS	
3-2-2	6006-001170	SCREW TAPPING	TH,M4,L12,ZPC(WHT)	1		SA
3-2-3	DA66-00448A	ROLLER LEVER LINK,A	CULLINAN,POM,NEO-VICTORY GRAY(SC-02684R),EASY-OPEN	1	RS21H*E**	SNA
3-2-4	DA81-01304A	PIN ROLLER EASY	MSWR10,°C 5,TRIVALEN CR Coat	1	RS21H*E**	SNA
3-2-5	DA61-03406A	REINF-HANDLE-REF-LOW	SHP1,T2.0,ZPC3-W	1	RS21H*E**	SA
3-3	DA64-02142A	HANDLE-BAR	JM,GRAY,SPRAY(VICTORY SILVER : SC-016459)	1	RS21H*EPE	SA
	DA64-02142B		JM,AL(A6063),SC-07018T(BALLENTINE BLACK)	1	RS21H*EBP	
	DA64-02142C		JM,AL(A6063),SC-05016T(SNOW WHITE)	1	RS21H*ESW	
	DA64-02691C		JM,AL,SC-06034T(INOX)	1	RS21H*EMH/RS/IS	
3-4	6002-000548	SCREW-TAPPING	TH,+,2S,M4,L25,ZPC(WHT),STS304	1	RS21H*E	SA
3-5	6001-000716	SCREW-MACHINE	TH,+,M5,L16,ZPC(WHT),MSWR10	1	RS21H*E	SA
O TYPE HANDLE				1	RS21H/23H*B**	
3	DA97-05075S	ASSY-HANDLE BAR REF	HERMES-PJT,SW(ONE TOUCH)	1	RS21H/23H*BSW	SA
	DA97-05075T		HERMES-PJT,BP(ONE TOUCH)	1	RS21H/23H*BBP	
	DA97-05075Q		HERMES-PJT,PE(ONE-TOUCH)	1	RS21H/23H*BPE	
	DA97-05075R		HERMES-PJT,MH/RS/IS(ONE-TOUCH)	1	RS21H/23H*BMH/RS/IS	
3-1	DA64-02618A	HANDLE-BAR(O TYPE HANDLE)	HERMES,AL,T1.0,-L1633,-,SC-05016T(SNOW WHITE)	1	RS21H/23H*BSW	SA
	DA64-02618F		HERMES-PJT,AL,T1.0,L1633,SC-03106T(Mature-black)	1	RS21H/23H*BBP	
	DA64-02618C		HERMES-PJT,AL,T1.0,L1633,SC-06147T(Natural Silver)	1	RS21H/23H*BPE	
	DA64-02618E		HERMES-PJT,AL,T1.0,L1633,SC-06034T(INOX)	1	RS21H/23H*BMH/RS/IS	
3-2	DA67-02024B	CAP-HANDLE SIDE	CORE,ABS,NTR,SILVER Plating	1	RS21H/23H*B	SA
	DA67-02024D		CORE,ABS,SNOW-WHITE	1	RS21H/23H*B	
3-3	DA67-01810A	CAP-SUPPORT HANDLE	HERMES, SNOW WHITE	1	RS21H/23H*BSW	SA
	DA67-01810B		HERMES, I-BLACK	4	RS21H/23H*BBP	
	DA67-02009B		HERMES, PLATINUM PEARL GRAY,DAC-GR0802	4	RS21H/23H*BPE	

EXPLODED VIEW & PART LIST

Parts List of Freezer Door (RS21/23H)

NO	CODE NO	PART NAME	Spec	Quantity	Remark	SA/SNA
	DA67-02009A		HERMES, MANHATTAN PEARL GRAY,DAC-GR071	4	RS21H/23H*BMH/RS/IS	
3-4	DA61-03726A	SUPPORT-HANDLE	HERMES,NY66,NTR	4		SA
3-5	6009-001512	SCREW-SPECIAL	BH,+,-,M4,L16,ZPC(WHT),SWRCH18A	4		SA
3-6	DA61-03636A	STOPPER-HANDLE	CULLINAN,SK5	4		SA
OVAL TYPE				1	RS21H/23H*T**	
3	DA97-05073U	ASSY-HANDLE BAR REF	HERMES-PJT,SW(ONE-TOUCH)	1	RS21H/23H*BSW	SA
	DA97-05073X		HERMES-PJT,BP(ONE-TOUCH)	1	RS21H/23H*BBP	
	DA97-05073Y		HERMES-PJT,PE(ONE-TOUCH)	1	RS21H/23H*BPE	
	DA97-05073Z		HERMES-PJT,MH/RS/IS(ONE-TOUCH)	1	RS21H/23H*BMH/RS/IS	
3-1	DA64-02442A	HANDLE-BAR(OVAL TYPE HANDLE)	HERMES,AL,1633,SNOW-WHITE	1	RS21H/23H*BSW	SA
	DA64-02442D		HERMES,AL,1633,MATURE-BLACK	1	RS21H/23H*BBP	
	DA64-02442B		HERMES,AL1633,NATURAL-SILVER	1	RS21H/23H*BPE	
	DA64-02442C		HERMES,AL,1633,INOX	1	RS21H/23H*BMH/RS/IS	
3-2	DA67-01913A	CAP-HANDLE	HERMES,ABS,W20.8,L37.3,NEO VICTORY GRAY	1	RS21H/23H*T**	SA
	DA67-01913B		HERMES,ABS,W20.8,L37.3,SILVER	1	RS21H/23H*T**	
3-3	DA67-01810A	CAP-SUPPORT HANDLE	HERMES, SNOW WHITE	4	RS21H/23H*BSW	SA
	DA67-01810B		HERMES, I-BLACK	4	RS21H/23H*BBP	
	DA67-02009B		HERMES, PLATINUM PEARL GRAY,DAC-GR0802	4	RS21H/23H*BPE	
	DA67-02009A		HERMES, MANHATTAN PEARL GRAY,DAC-GR071	4	RS21H/23H*BMH/RS/IS	
3-4	DA61-03726A	SUPPORT-HANDLE	HERMES,NY66,NTR	4		SA
3-5	6009-001512	SCREW-SPECIAL	BH,+,-,M4,L16,ZPC(WHT),SWRCH18A	4		SA
3-6	DA61-03636A	STOPPER-HANDLE	CULLINAN,SK5	4		SA
SHORT-TYPE				1	RS21H/23H*H**	
3	DA97-05974A	ASSY-HANDLE BAR	HERMES,ABS, L928.5, ELLIPSE,SNOW WHITE,ONE TOUCH	1	RS21H/23H*BSW	SA
	DA97-05347H		HERMES,ABS, L928.5, ELLIPSE,I-BLACK,ONE TOUCH	1	RS21H/23H*BBP	
	DA97-05974E		HERMES,ABS, L928.5, ELLIPSE,PLATINUM-SILVER,ONE TOUCH	1	RS21H/23H*BPE	
	DA97-05974F		HERMES,ABS, L928.5, ELLIPSE,MH/RS/IS,ONE-TOUCH	1	RS21H/23H*BMH/RS/IS	
3-1	DA64-02443A	HANDLE-BAR(SHORT TYPE HANDLE)	HERMES,AL,L923.5,SNOW-WHITE	1	RS21H/23H*BSW	SA
	DA64-02234B		HERMES-PJT,ABS,I-BLACK(SC-00477R)	1	RS21H/23H*BBP	
	DA64-02443C		HERMES,AL,L923.5,MATURE-BLACK	1	RS21H/23H*BPE	
	DA64-02443D		HERMES,AL,L923.5,INOX	1	RS21H/23H*BMH/RS/IS	
3-2	DA67-01913B	CAP-HANDLE	HERMES,ABS,W20.8,L37.3,SILVER	2	RS21H/23H*T**	SA
3-3	DA67-01810A	CAP-SUPPORT HANDLE	HERMES, SNOW WHITE	4	RS21H/23H*BSW	SA
	DA67-01810B		HERMES, I-BLACK	4	RS21H/23H*BBP	
	DA67-02009B		HERMES, PLATINUM PEARL GRAY,DAC-GR0802	4	RS21H/23H*BPE	
	DA67-02009A		HERMES, MANHATTAN PEARL GRAY,DAC-GR071	4	RS21H/23H*BMH/RS/IS	
3-4	DA61-03726A	SUPPORT-HANDLE	HERMES,NY66,NTR	4		SA
3-5	6009-001512	SCREW-SPECIAL	BH,+,-,M4,L16,ZPC(WHT),SWRCH18A	4		SA
3-6	DA61-03636A	STOPPER-HANDLE	CULLINAN,SK5	4		SA
R TYPE HANDLE				1		
3	DA97-07724F	ASSY-HANDLE BAR	HERMES09,AL,SC-06034T(INOX)	1		SA
	DA97-07724B		HERMES09,AL,SC-06147T(Natural Silver)	1		
	DA97-07724C		HM09,AL,SC-06034T(INOX),VERSAILLES STS(SC-05061S)	1		
	DA97-07724D		HM09,AL,SC-97527S(Snow White)	1		
	DA97-07724E		HM09,AL,DAC-BR0901T(Vanilla Beige)	1		
3-1	DA64-03016E	HANDLE-BAR	HERMES09,AL,SC-06034T(INOX)	1		SA
	DA64-03016B		HERMES09,AL,SC-06147T(Natural Silver)	1		
	DA64-03016C		HM09,AL,SC-97527S(Snow White)	1		
	DA64-03016D		HM09,AL,DAC-BR0901T(Vanilla Beige)	1		
3-2	DA67-02361A	CAP-HANDLE UPP	HERMES09,ABS,MANHATTAN SILVER(SC-06036S)	1		SA
	DA67-02361B		HERMES09,ABS,PLATINUM SILVER(SC-05010S)	1		
	DA67-02361C		HERMES09,ABS,VERSAILLES STS(SC-05061S)	1		
	DA67-02361D		HERMES09,ABS,SNOW WHITE,(SC-97527S)	1		
	DA67-02361E		HERMES09,ABS,Vanilla Beige,(DAC-BRD901R),GLOSSY	1		

EXPLODED VIEW & PART LIST

■ Parts List of Freezer Door (RS21/23H)

NO	CODE NO	PART NAME	Spec	Quantity	Remark	SA/SNA
3-3	DA67-02360A	CAP-HANDLE LOW	HERMES09,ABS,MANHATTAN SILVER(SC-06036S)	1		SA
	DA67-02360B		HERMES09,ABS,PLATINUM SILVER(SC-05010S)	1		
	DA67-02360C		HERMES09,ABS,VERSAILLES STS(SC-05061S)	1		
	DA67-02360D		HERMES09,ABS,SNOW WHITE,(SC-97527S)	1		
	DA67-02360E		HERMES09,ABS,Vanilla Beige,(DAC-BRD901R),GLOSSY	1		
3-4	DA61-05338A	SUPPORT-HANDLE MID	HERMES09,ABS,MANHATTAN SILVER(SC-06036S)	1		SA
	DA61-05338B		HERMES09,ABS,PLATINUM SILVER(SC-05010S)	1		
	DA61-05338C		HM09,ABS,VERSAILLES STS(SC-05061S)	1		
	DA61-05338D		HM09,ABS,SNOW WHITE(SC-97527R,GLOSSY	1		
	DA61-05338E		HM09,ABS,Vanilla Beige(DAC-BR0901R),GLOSSY	1		
3-5	6002-000215	SCREW-TAPTITE	TH,+,-,1,M4.0,L16,ZPC(WHT),SWRCH18A	1		SA
3-6	DA63-00789A	GROMMET FIXER	EXP,PC-ABS,-,-,-,-,SILVER-GRAY,REAL-STAINLESS	1		SA
3-7	6002-000215	SCREW-TAPTITE	TH,+,-,1,M4.0,L16,ZPC(WHT),SWRCH18A	2		SA
12-1	DA61-05337A	FIXER-HANDLE	HERMES09,NY-66,NTR	2		SA
12-2	6002-000613	SCREW-TAPPING	TH,+,-,2,M5,L16,ZPC(WHT),SWRCH18A	6		SA
4	DA64-02136A	TRIM-CASE BRACKET OUT	PP,310.8,COOL-WHITE,HM-DOOR	1	RS21HK/F/J/B,RS23HK/F	SA
5	DA97-04963A	ASSY GUARD-DAIRY	HERMES PJT,HERMES,55mm	1	RS21H	SA
	DA97-05086A		HERMES PJT,HERMES,85mm	1	RS23H	
5-1	DA63-03533A	GUARD-DAIRY	HERMES PJT,HIPS/HG-1760SF,T2.5	1		SA
	DA63-03644A		HERMES PJT,ABS,T2.5,COOL WHITE	1		
5-2	DA63-03534A	COVER-GUARD DAIRY	HERMES PJT,GPPS/HF2660S,T2.5,TRANSPARENCE	1		SA
	DA63-03645A		HERMES PJT,GPPS,T2.5,TRANSPARENCE	1		
6	DA97-04964B	ASSY GUARD-REF TOP	HERMES PJT	1	RS21HK/J	SA
	DA97-05087A		HERMES PJT	1	RS23H	
6-1	DA63-03536B	GUARD-REF TOP	HERMES PJT,ABS,T2.5,COOL WHITE(SC02740R)	1		SA
	DA63-03646A		HERMES PJT,ABS,T2.5,COOL WHITE	1		
6-2	DA63-03537A	COVER-GUARD REF TOP	HERMES PJT,GPPS/HF2660S,T3.0,TRANSPARENCE,HERMES,55mm	1		SA
	DA63-03647A		HERMES PJT,GPPS,T2.5,TRANSPARENCE	1		
7	DA97-04965C	ASSY-GUARD REF MID	HERMES PJT,HERMES,55mm	1	RS21HK/J	SA
	DA97-05088A		HERMES PJT,HERMES,85mm	1	RS23H	
7-1	DA63-03538B	GUARD REF-MID	HERMES PJT,ABS,T2.5,COOL WHITE(SC02740R)	1		SA
	DA63-03648A		HERMES PJT,ABS,T2.5,COOL WHITE,HERMES_85MM	1		
7-2	DA63-03537A	COVER-GUARD REF TOP	HERMES PJT,GPPS/HF2660S,T3.0,TRANSPARENCE	1		SA
	DA63-03647A		HERMES PJT,GPPS,T2.5,TRANSPARENCE,HERMES_85mm	1		
7-3	DA61-03601B	GUIDE-BOTTLE REF	HERMES,PPT2.5,COOL-WHITE	1	RS23H	SA
8	DA97-04966B	ASSY GUARD-REF LOW	HERMES PJT,HERMES,55mm	1	RS21HK/J	SA
	DA97-05089A		HERMES PJT,HERMES,85mm	1	RS23H	
8-1	DA63-03540B	GUARD-REF LOW	HERMES PJT,ABS,T2.5,COOL WHITE(SC02740R)	1		SA
	DA63-03650A		HERMES PJT,ABS,T2.5,COOL WHITE,HERMES_85MM	1		
8-2	DA63-03539A	COVER-GUARD REF LOW	HERMES PJT,GPPS/HF2660S,T3.0,TRANSPARENCE	1		SA
	DA63-03652A		HERMES PJT,GPPS,T2.5,TRANSPARENCE,HERMES_85mm	1		
9	DA64-02136A	TRIM-CASE BRACKET OUT	HERME-PJT,PP,310.8,COOL-WHITE(SC-02740R),HM-DOOR	1		SA
10	DA97-05745A	ASSY-LATCH	CUBIC-PJT,POM,BLK	1	RS21HK/J/F/B,RS23HK/F	SA
11	DA97-06411A	ASSY-HOME BAR FOAM	HERMES,SNOW-WHITE(SC97527R)	1	RS21H/23H**SW	SA
	DA97-06411B		HERMES,I-BLACK(SC-00477R)	1	RS21H/23H**BP	
	DA97-06411C		HERMES,PLATINUM SILVER(SC-05010S)	1	RS21H/23H**PE	
	DA97-06411D		HERMES,MANHATTAN SILVER(SC-06036R)	1	RS21H/23H**MH	
	DA97-06411E		HERMES,VERSAILLES SILVER(SC-05061S)	1	RS21H/23H**RS	
	DA97-06411F		HERMES,CROWN ROYAL(SC-07025S)	1	RS21H/23H**IS	
	DA97-06411J		HERME-PJT,ASSY,VERSAILLES STS	1	RS21H/23H**RPN	
	DA97-06411K		HERME-PJT,ASSY,SNOW WHITE	1	RS21H/23H**RSW	
	DA97-06411L		HERMES09,ASSY,PLATINUM SILVER	1	RS21H/23H**TS	
	DA97-06411M		HERMES09,ASSY,MANHATTAN SILVER	1	RS21H/23H**MH	
	DA97-06411N		HERMES09,ASSY,CROWN ROYAL	1	RS21H/23H**IS	

EXPLODED VIEW & PART LIST

■ Parts List of Freezer Door (RS21/23H)

NO	CODE NO	PART NAME	Spec	Quantity	Remark	SA/SNA
11	DA97-06411P	ASSY-HOME BAR FOAM	HERMES09,ASSY,EMPIRE BLACK	1	RS21H/23H**BP	SA
	DA97-06411Q		HERMES09,ASSY,VANILLA BEIGE	1	RS21H/23H**VB	
11-1	DA67-00638A	CAP-H/B DOOR IN	A-TOP,SILICON,SC-01625R,CREAM-WHT,A-TOP	1	RS21H/23H**SW	SA
	DA67-00638L	CAP-H/B DOOR IN	NEXT-PJT, HOME-BAR,SILICON,I-BLACK,SC-00477R	1	RS21H/23H**BP	
	DA67-00638C		A-TOP,SILICON,VICTORY-GRAY,SC-01645R	1	RS21H/23H**PE	
	DA67-00638M		NEXT-PJT, HOME-BAR,SILICON,STAINLESS-PLATINUM,SC-03172R	1	RS21H/23H**MH/RS/IS	
11-2	DA66-00205C	SHAFT-DMAPER HOMBAR	CULLINAN,STS304	1	RS21HK/J/F/B,RS23HK/F	SA
11-3	DA97-03956D	ASSY-DAMPER HOME BAR	CULLINAN	1	RS21HK/J/F/B,RS23HK/F	SA
11-4	DA67-01676A	CAP-OIL DAMPER	HERME-PJT,ABS,T2.5,SNOW-WHITE(SC-97527R)	1	RS21H/23H**SW	SA
	DA67-01676B		HERME-PJT,ABS,T2.5,I-BLACK(SC-00477R)	1	RS21H/23H**BP	
	DA67-01676C		HERME-PJT,ABS,T2.5,TITAN GRAY(SC-03186R)	1	RS21H/23H**PE	
	DA67-01676D		HERME-PJT,ABS,T2.5,MANHATTAN SILVER(SC-06036R)	1	RS21H/23H**MH	
	DA67-01676E		HERME-PJT,ABS,T2.5,Versailles STS(SC-04084R)	1	RS21H/23H**RS	
	DA67-01676F		HERMES PJT,ABS,T2.5,INOX(SC-06034R)	1	RS21H/23H**IS	
11-5	6002-000213	SCREW-TAPPING	TH,M4,L12,ZPC(WHT)	2	RS21HK/J/F/B,RS23HK/F	SA
13	DA97-05529C	ASSY-BRACKET HANDLE	HERMES-PJT,SWCH10A	4		SA
13-1	DA61-03725B	BRACKET-HANDLE	HERMES,SWCH10A,L31	4		SA
13-2	DA63-03840A	GROMMET-HANDLE	HERMES,SILICON,T1,NTR,DISP, 40°	4		SA
14	DA97-05851A	ASSY COVER-DOOR RECESS	HERMES,ASSY	1		SA
	DA97-07745A		HERMES,ASSY,55mm	1		
14-1	DA61-03883A	CASE-DOOR RECESS	HERMES,ABS,T2.5,415.9,377.1,COOL WHITE(SC-02740R),55mm	1		SA
	DA61-05351A		HERMES09,ABS,COOL WHITE(SC-02740R),55mm,1-piece	1		
14-2	DA63-03937A	COVER-DOOR RECESS	GPPS,T2.5,329.2,317.6,-,-,-,Transparency	1		SA

EXPLODED VIEW & PART LIST

■ Parts List of Freezer (RS21/23-Basic)

NO	CODE NO	PART NAME	Spec	Quantity	Remark	SA/SNA
1	DA67-01698A	SHELF FRE-TOP	HERMES-PJT,PP+GLASS,W308,L413,SC-02740R,BASIC	1		SA
2	DA67-02106A	SHELF FRE-MID	HERMES-PJT,PP+GLASS,W308,L325,COOL WHITE(SC-02740R)	1		SA
3	DA97-06927A	ASS'Y-SHELF FRE LOW	HERMES-PJT	1		SA
3-1	DA67-02110A	SHELF-FRE LOW	HERMES-PJT,HIPS,COOL WHITE(SC-02740R)	1		SA
3-2	DA97-05233B	ASSY RAIL-BOX L	HERMES-PJT,T2.0,W17,L260	1		SA
	DA63-00202C	GROMMET-RAIL	NY-6	1		SA
	DA61-03413B	RAIL-BOX L	HERMES-PJT,TALC PP,NATURAL	1		SA
3-3	DA97-05234B	ASSY RAIL-BOX R	HERMES-PJT,T2.0,W17,L260	1		SA
	DA63-00202C	GROMMET-RAIL	NY-6	1		SA
	DA61-03412B	RAIL-BOX R	HERMES-PJT,TALC PP,NATURAL	1		SA
4	6001-000034	SCREW-TAPPING	TH,+,-,1,M4.0,L12,ZPC(YEL),MSWR10,-	6		SNA
5	DA97-05046B	ASSY CASE-BASKET LOW	HERMES,GPPS+HIPS	1		SA
	DA97-05336B		HERMES,SAN+TAPE ETC PE,W60	1		
5-1	DA61-03373B	CASE-BASKET LOW	HERMES,GPPS,TRP,2-PIECE, SE-1014	1		SA
5-2	DA63-03549A	COVER-BASKET FRONT LOW B	HERMES,HIPS,WHITE	1		SA
5-3	DA63-03547B	COVER-BASKET FRONT LOW A	HERMES,GPPS,TRP,SE-1008	1		SA
6	DA97-05047B	ASSY CASE-BASKET HIGH	HERMES,GPPS+HIPS	1		SA
	DA97-05335B		HERMES,SAN+TAPE ETC PE,W60	1		
6-1	DA61-03372B	CASE-BASKET HIGH	HERMES,GPPS,TRP,2-PIECE, SE-1014	1		SA
6-2	DA63-03551A	COVER-BASKET FRONT HIGH A	HERMES,HIPS,WHITE	1		SA
6-3	DA63-03552B	COVER-BASKET FRONT HIGH B	HERMES,GPPS,TRP,SE-1008	1		SA
7	DA97-05049A	ASS'Y-COVER SLIDE BASKET	HERMES,3-PIECE,SAN+HIPS	1		SA
	DA97-05103C		HERMES,1PIECE,GPPS	1		
7-1	DA63-03569A	COVER BASKET-LOW	HERMES,ABS,TRP	1		SA
7-2	DA63-03570A	COVER-SLIDE BASKET A	HERMES,HIPS,WHITE	1		SA
7-3	DA63-03571A	COVER-SLIDE BASKET B	HERMES,ABS,TRP	1		SA
7-4	DA63-00202C	GROMMET-RAIL	NY-6	2		SA
8	DA63-03603A	COVER LAMP-FRE	HERMES,PP,BASIC	1	RS21HB/N,RS23HN	SA
9	4713-001201	LAMP-INCANDESCENT	230V,0mA,40W	1		SA
10	DA97-05334D	ASSY COVER-MULTI FRE	HERMES,BASIC	1	RS21HB/N,RS23HN	SA
10-2	DA61-03360A	PLATE-MULTI FRE REAR LOW	HERMES,PP,T1.0,NTR	1		SNA
10-4	DA32-10105U	SENSOR-ASSY	502AT,A-TOP,-50-50,5V,ROOM-SENSOR(PX-41C),BLU,200M	1		SA
10-5	DA63-03602A	COVER-MULTI FRE	HERMES,PP,COOL WHT,BASIC	1		SNA
10-6	DA62-01450A	INSULATION-MULTI FRE	HERMES,FOAM PS,WHT,BASIC	1		SNA
10-7	DA61-03623A	PLATE-MULTI FRE HIGH	HERMES,PP,NTR,BASIC	1		SNA
10-8	DA62-01491A	SEAL COVER MULTI FRE REAR	ERMES,NITRONG,WHITE,T2.0,,BASIC	1		SNA
10-9	DA47-40001C	LAMP HOLDER-ASSY	E26,-,1A,-,-,PBT(5VA),UL SPEC	1		
11	DA96-00380S	ASSY EVAP-FRE	HERMES-PJT,Al+Cu,230W,SHEATH-HEATER 2ROW	1	230V	SA
	DA96-00380T		HERMES-PJT,Al+Cu,230W,SHEATH-HEATER 2ROW	1	120V	
11-1	DA75-00205F	EVAP FRE	A1050P-H16,SHEATH-HEATER 2ROW,AL+CU	1		SNA
11-2	DA47-00246G	HEATER-METAL SHEATH(FRE)	HERMES-PJT,230W,230V,230.0Ω±7%,F-ROOM	1	230V	SA
	DA47-00246L		HERMES-PJT,230W,120V,52.6Ω±7%,F-ROOM	1	120V	
11-3	DA61-03362A	PLATE-DRAIN FRE	HERMES,GALVANUME,T0.3	1		SNA
11-4	DA32-00029A	SENSOR ASSY-REF	DTN-SAU003S,-40~110°C,5V,DEF-SENSOR,WHT,400MM	1		SA
11-5	DA61-00603A	FIXER-SENSOR	PP	1		SA
11-6	DA61-05160A	FIXER-FUSE	PP,BJ-730,NTR	1		SA
11-7	DA47-00301C	THERMO FUSE-ASSY	120V/250V,15A/10A,109~110°C,270mm	1		SA
11-8	DA61-02526A	FIXER-EVAP FRE,SUB	AL, °C 2.0	1		SA
12	6002-000215	SCREW-TAPPING	TH,1,M4.0,L16,ZPC(YEL)	9		SNA
13	DA97-05052E	ASSY COVER EVAP-FRE	BLDC	1		SA
13-1	DA61-03357A	PLATE-EVAP HEATER FRE	HERMES,GALVANUME,T0.3	1		SNA
13-2	6002-000215	SCREW-TAPPING	TH,1,M4.0,L16,ZPC(YEL)	4		SNA
13-3	DA31-00053A	FAN-BACKWARD(FRE)	ABS,16Wing	1		SA
13-4	DA31-00146E	MOTOR FAN-BLDC	DREP5020LB,BLDC Motor,0.2	1		SA

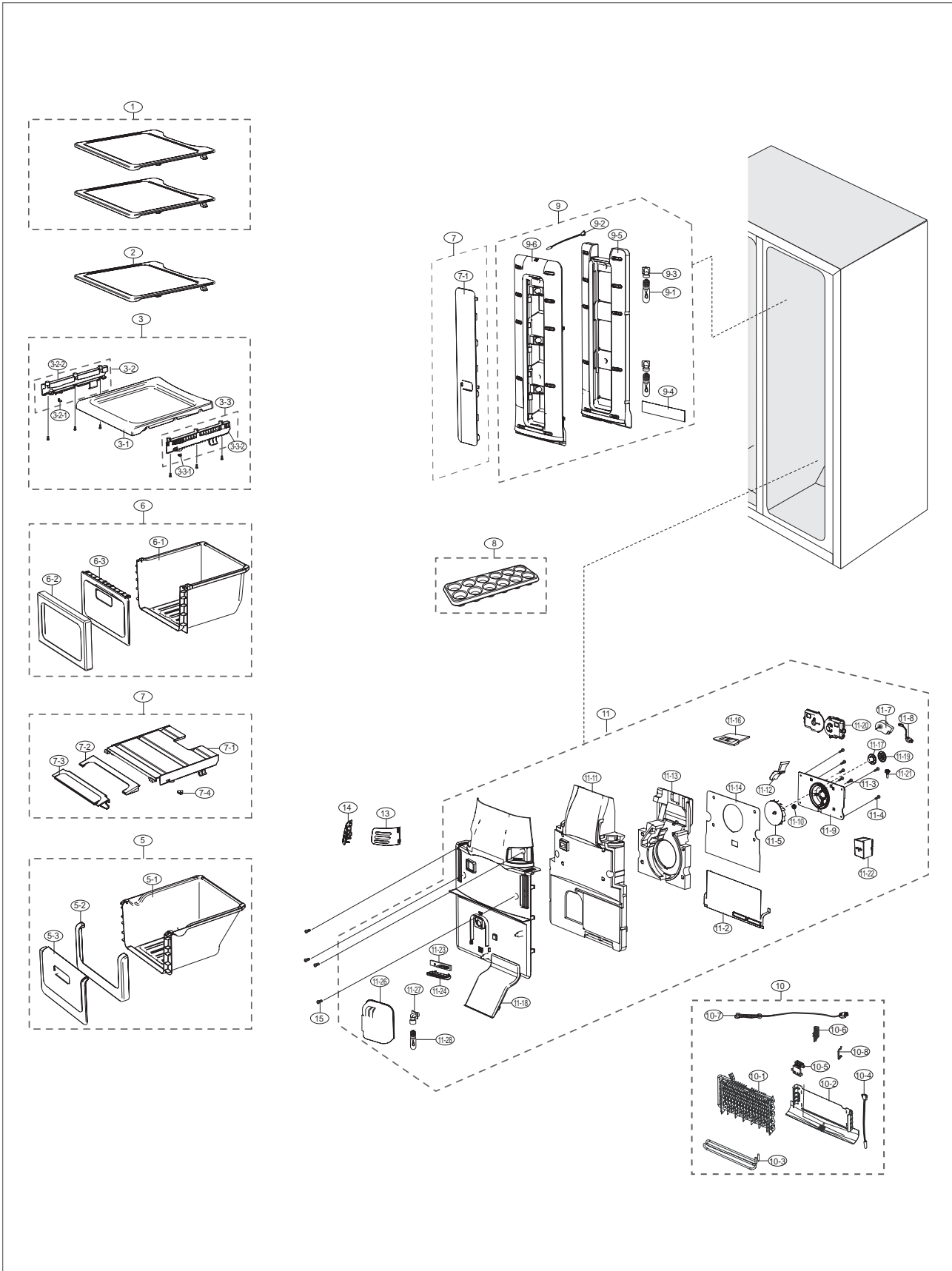
EXPLODED VIEW & PART LIST

■ Parts List of Freezer (RS21/23-Basic)

NO	CODE NO	PART NAME	Spec	Quantity	Remark	SA/SNA
13-5	DA39-00060B	WIRE HARNESS-MOTOR	F-FAN	1		SA
13-6	DA61-00417A	CASE MOTOR	ABS SCRAP,WHT	1		SA
13-7	DA61-00411A	PLATE-FAN MOTOR,FRE	HIPS,T1.0	1		SNA
13-8	DA61-03359A	PLATE-INS EVAP FRE HIGH	HERMES,PP,T1.0,NTR	1		SNA
13-9	DA61-20128A	SPRING ETC-FAN	STS304,PI7.8,OD1.0	1		SA
13-10	DA62-01440A	INSULATION EVAP-FRE A	HERMES,FOAM PS,WHITE	1		SA
13-11	DA62-01441A	INSULATION EVAP-FRE B	HERMES,FOAM PS,WHT	1		SA
13-12	DA62-01436A	SEAL-COVER EVAP FRE HIGH	HERMES,OJC,WHITE,T7.0	1		SNA
13-13	DA62-01435B	SEAL-COVER EVAP FRE AL	HERMES,FOAM-PE+AL,BLACK,T2	1		SNA
13-14	DA63-03592A	COVER EVAP-FRE	HERMES,PP,COOL WHT	1		SA
13-15	DA63-01146A	GROMMET-MOTOR,REAR	NBR,ID6.5	1		SA
13-16	DA63-01808A	GROMMET-MOTOR,FRONT	BLDC,NBR,BLACK	1		SA
13-17	DA63-01809A	COVER MOTOR-BLDC	BLDC-NEW,PP,NTR	1		SA
13-18	DA63-40167A	GROMMET-COVER CHIL	T3.0,SILICON,	1		SA
13-19	6002-000213	SCREW-TAPPING	TH,1,M4,L12,ZPC(YEL),S	3		SNA
13-20	DA63-04657A	COVER-FIXER HOUSING,V	HERMES,SAZCC,T0.3	1		SA
15	DA97-04084A	ASSY TRAY-ICE	NEXT,TWIST	1		SA

EXPLODED VIEW & PART LIST

5-9) Fridge (RS21/23H-Basic)



EXPLODED VIEW & PART LIST

Parts List of Fridge (RS21/23H-Basic)

NO	CODE NO	PART NAME	Spec	Quantity	Remark	SA/SNA
1	DA67-01694A	SHELF REF-TOP	HERMES-PJT,PP+GLASS,T2.0,W443,L386,SC-02740R	2		SA
2	DA67-02109A	SHELF REF-MID	HERMES-PJT,PP+GLASS,-,W443,L386,COOL WHITE(SC-02740R)	1		SA
3	DA97-06928A	ASS'Y-SHELF REF LOW	HERMES-PJT	1		SA
3-1	DA67-02108A	SHELF-REF LOW	HERMES-PJT,HIPS,COOL WHITE(SC-02740R)	1		SA
3-2	DA97-05233B	ASSY RAIL-BOX L	HERMES-PJT,T2.0,W17,L260	1		SA
3-2-1	DA63-00202C	GROMMET-RAIL	NY-6	1		SA
3-2-2	DA61-03413B	RAIL-BOX L	HERMES-PJT,TALC PP,NATURAL	1		SA
3-2	DA97-05234B	ASSY RAIL-BOX R	HERMES-PJT,T2.0,W17,L260	1		SA
3-2-1	DA63-00202C	GROMMET-RAIL	NY-6	1		SA
3-2-2	DA61-03412B	RAIL-BOX R	HERMES-PJT,TALC PP,NATURAL	1		SA
4	DA97-05045B	ASSY-CASE VEG HIGH	HERMES,GPPS+HIPS	1		SA
	DA97-05045C		HERMES,GPPS+HIPS,CHINA	1		
	DA61-05041A		HERMES,GPPS,TRP,1-PIECE,SE-1014	1		
4-1	DA61-03371B	CASE-VEG HIGH	GPPS,TRP,2-PIECE	1		SA
	DA61-03371C		GPPS,TRP,2-PIECE,CHINA	1		
5	DA97-05044B	ASSY-CASE VEG LOW	HERMES,GPPS+HIPS	1		SA
	DA61-05042A		HERMES,GPPS,TRP,1-PIECE,SE-1014	1		
5-1	DA61-03370B	CASE-VEG LOW	HERMES,GPPS,TRP,2-PIECE,SE-1014	1		SA
5-2	DA63-03550B	COVER-VEG FRONT LOW B	HERMES,GPPS,TRP	1		SA
5-3	DA63-03546A	COVER-VEG FRONT LOW A	HERMES,HIPS,WHITE	1		SA
6	DA97-05048B	ASS'Y-COVER SLIDE VEG	HERMES,SAN+HIPS	1		SA
	DA97-05100E		HERMES,1PIECE,GPPS	1		
6-1	DA63-03566A	COVER VEG-LOW	HERMES,ABS,TRP	1		SA
6-2	DA63-03567A	COVER-SLIDE VEG A	HERMES,HIPS,WHITE	1		SA
6-3	DA63-03568A	COVER-SLIDE VEG B	HERMES,ABS,TRP	1		SA
6-4	DA63-00202C	GROMMET-RAIL	NY-6	2		SA
7	DA97-05064C	ASS'Y-COVER LAMP REF	HERMES	1		SA
7-1	DA63-03608A	COVER LAMP-REF	HERMES,PP	1		SA
7-2	DA63-03609A	COVER SENSOR	HERMES,ABS,COOL WHT	1		SA
8	DA67-40322A	TRAY-EGG	SR-51.55.59,GPPS	1		SA
9	DA97-05062B	ASSY COVER-MULTI REF	HERMES,LAMP-2EA,230V	1		SA
	DA97-05062D		HERMES,LAMP-2EA,120V	1		
	DA97-05062F		HM09,LAMP-2EA,230V	1	RS21HF/D/B/N,RS23HF/N 230V	
	DA97-05062H		HM09,LAMP-2EA,120V	1	RS21HF/D/B/N,RS23HF/N 120V	
9-1	4713-001189	LAMP-INCANDESCENT	240V,30W,,25x84	2		SA
9-2	DA32-10105H	SENSOR-ASSY	502AT10~35,5V,5KOHM	1		SA
9-3	DA47-00291C	LAMP HOLDER	E14,240V,75W,PBT	3	F/D/B/N OPTION	SA
	DA47-00291E		E14,240V,75W,PBT	3	F/D/B/N OPTION	
10	DA96-00379S	ASSY EVAP-REF	HERMES-PJT,AI+Cu,140W,SHEATH-HEATER 2ROW	1	230V	SA
	DA96-00379T		HERMES-PJT,AI+Cu,140W,SHEATH-HEATER 2ROW	1	120V	
10-1	DA75-00204G	EVAP REF	A1050P-H16,SHEATH-HEATER 2ROW,AL+CU	1		SNA
10-2	DA61-03358A	PLATE-DRAIN EVAP REF	HERMES,GALVANUME,T0.3	1		SNA
10-3	DA47-00247K	HEATER-METAL SHEATH(REF)	HERMES-PJT,140W,230V,377.8 Ω ±7%,R-ROOM	1	230V	SA
	DA47-00247N		HERMES-PJT,140W,120V,86.4 Ω ±7%,R-ROOM	1	120V	
10-4	DA32-00029B	SENSOR TEMP	DTN-SAU003S,5V	1		SA
10-5	DA61-00453A	FIXER-SENSOR	EVAP,PP,NTR,ALL	1		SA
10-6	DA61-05160A	FIXER-FUSE	PP,BJ-730,NTR	1		SA
10-7	DA47-00301B	THERMO FUSE-ASSY	120V/250V,15A/10A,109~110°C,600mm	1		SA
10-8	DA61-02526A	FIXER-EVAP FRE,SUB	AL,°C 2.0	1		SA
11	DA97-07621A	ASSY COVER EVAP-REF	HERMES09,V,S OPTION,120V	1	V/S OPTION	SA
	DA97-07621B		HERMES09,D,F,N OPTION,230V	1	RS21H/23H	
	DA97-07621C		HERMES09,D,F,N OPTION,120V	1	RS21H/23H	
	DA97-07621D		JM-PJT,F OPTION,230V	1	RSJ1	

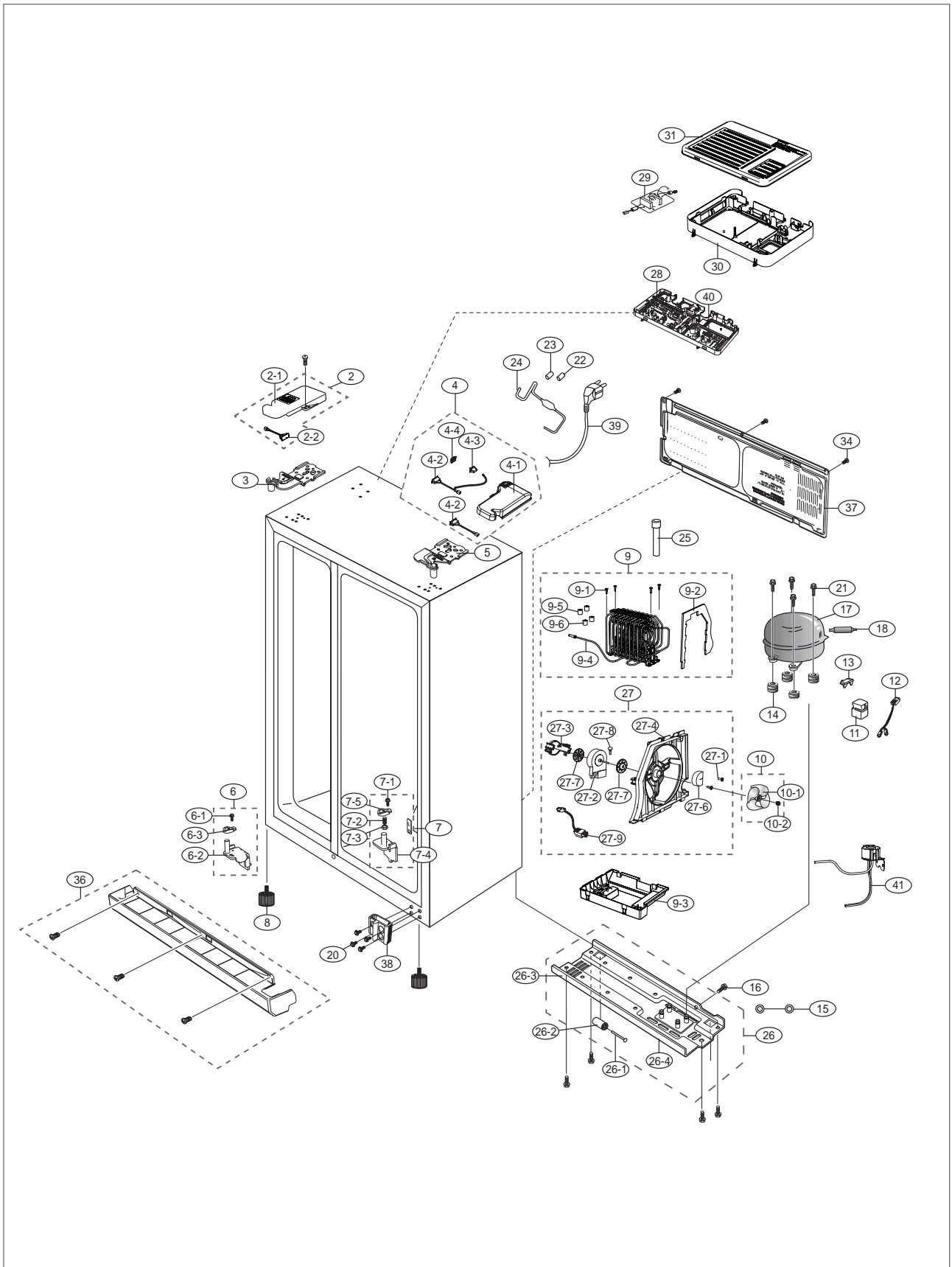
EXPLODED VIEW & PART LIST

■ Parts List of Fridge (RS21/23H-Basic)

NO	CODE NO	PART NAME	Spec	Quantity	Remark	SA/SNA
11	DA97-07621E	ASSY COVER EVAP-REF	HERMES09,V,S OPTION,230V	1	RS21H/23H	
11-1	DA61-05279A	PLATE-DRAIN INS EVAP REF	HERMES 09,AL,T0.3	1		SNA
11-2	DA61-03356A	PLATE EVAP HEATER REF	GALVANUM,T0.3	1		SNA
11-3	6002-000213	SCREW-TAPPING	TH,1,M4,L12,ZPC(YEL),S	4		SNA
11-4	6002-000215	SCREW-TAPPING	TH,1,M4.0,L16,ZPC(YEL)	4		SNA
11-5	DA31-00123A	FAN-BACKWARD	ABS,13Wing	1		SA
11-7	DA31-00146E	MOTOR FAN-BLDC	DREP5020LB,BLDC Motor,0.2	1		SA
11-8	DA39-00060B	WIRE HARNESS-MOTOR	F-FAN	1		SA
11-9	DA61-00417A	CASE MOTOR	ABS SCRAP,WHT,SBS	1		SA
11-10	DA61-20128A	SPRING ETC-FAN	STS304,PI7.8,OD1.0,	1		SA
11-11	DA62-01446A	INSULATION EVAP-REF A	HERMES,FOAM PS,WHT	1		SA
11-12	DA67-01672B	CAP-INS EVAP REF B	HERMES,TALC PP,NTR	1		SA
11-13	DA62-01447A	INSULATION EVAP-REF B	HERMES,FOAM PS,WHT	1		SA
11-14	DA62-01437A	SEAL COVER EVAP REF AL	FOAM PE+AL,T1.5,	1		SNA
11-15	DA47-00258A	HEATER-WATER TANK	230V,5W	1		SA
11-16	DA62-01434A	SEAL COVER EVAP REF HIGH	OJC,T7.0,WHITE	1		SNA
11-17	DA63-01146A	GROMMET-MOTOR,REAR	NBR,ID6.5	1		SA
11-18	DA63-03594A	COVER EVAP-REF	HERMES,PP,COOL WHT,CONV	1		SA
11-19	DA63-01808A	GROMMET-MOTOR,FRONT	BLDC,NBR,BLACK	1		SA
11-20	DA63-01809A	COVER MOTOR-BLDC	BLDC-NEW,PP,NTR	1		SA
11-21	DA63-40167A	GROMMET-COVER CHIL	T3.0,SILICON,	1		SA
11-23	DA63-04657A	COVER-FIXER HOUSING,V	HERMES,SAZCC,T0.3	1		SA
11-24	DA96-00263C	ASSY-W/HARNESS-PHOTOSYNTHESIS-LED	HERMES-PJT,100~240V	1	CHINA	SA
11-25	DA63-03056A	COVER-LED	SAPPHIRE-PJT,GPPS,1.5,22.8,110.2,-,-,-,-	1	CHINA	SA
11-26	DA63-03607A	COVER LAMP-REF LOW	HERMES,PP	1		SA
11-27	DA47-00265A	LAMP HOLDER(VEG)	14BASE,L850	1		SA
	DA47-00292C		14BASE,L850	1	HM09	
11-28	4713-001189	LAMP-INCANDESCENT	240V,30W,25x84mm	1	RSJ1,RS21HK/J,RS23HK	SA
	4713-001145		130V,30W,25T*84L	1	RSJ1,RS21HK/J,RS23HK	
13	DA63-03606A	COVER-DEODORIZER R	HERMES,PP,COOL WHT	1	RS21HF/D/B/N,RS23HF/N	SA
14	DA63-03605A	COVER-DEODORIZER L	HERMES,PP,COOL WHT	1	RS21HF/D/B/N,RS23HF/N	SA
15	6002-000215	SCREW-TAPPING	TH,1,M4.0,L16,ZPC(YEL)	9		SNA

EXPLODED VIEW & PART LIST

5-10) Cabinet & Unit (RS21/23H-Basic)



EXPLODED VIEW & PART LIST

■ Parts List of Cabinet (RS21/23H-Basic)

NO	CODE NO	PART NAME	Spec	Quantity	Remark	SA/SNA
1	DA90-03673A	ASSY-CABINET FOAM	HERMES			SNA
2	DA97-04980H	ASSY COVER HINGE-UPP L	HERMES, SNOW WHITE	1	RS****SV/SW	SA
	DA97-04980J		HERMES, I-BLACK	1	RS****BP	
	DA97-04980K		HERMES, TITAN GRAY	1	RS****PS/PE	
	DA97-04980D		HERMES, MANHATTAN SILVER	1	RS****MH	
	DA97-04980L		HERMES, NOBLE STS	1	RS****RS	
	DA97-04980F		HERMES, INOX	1	RS****IS	
	DA97-05663B		HERMES-T/K, BRILLIANT GOLD	1	RS****AW/PM	
	DA97-05663G		HERMES-T/K, SNOW WHITE	1	RS****FH	
	DA97-05663A		HERMES-T/K, ,I-BLACK,TK	1	RS****MR/BG/FB	
DA97-05663C	HERMES-T/K, NOBLE STS,TK	1	RS****NA			
2-1	DA63-03529H	COVER HINGE-UPP L	HIPS, T2.5, SNOW WHITE	1	RS****SV/SW	SA
	DA63-03529J		HIPS, T2.5, I-BLACK	1	RS****BP	
	DA63-03529K		HIPS, T2.5, TITAN GRAY	1	RS****PS/PE	
	DA63-03529D		ABS, T2.5, MANHATTAN SILVER	1	RS****MH	
	DA63-03529L		HIPS, T2.5, NOBLE STS	1	RS****RS	
	DA63-03529F		ABS, T2.5, INOX	1	RS****IS	
	DA63-03896B		HERMES-T/K, BRILLIANT GOLD	1	RS****AW/PM	
	DA63-03896G		HERMES-T/K, SNOW WHITE	1	RS****FH	
	DA63-03896A		HERMES-T/K, ,I-BLACK,TK	1	RS****MR/BG/FB	
DA63-03896C	HERMES-T/K, NOBLE STS,TK	1	RS****NA			
2-2	DA34-00043A	SWITCH REED ASSY	200VDC,1.5	1		SA
3	DA61-03354A	HINGE-UPP L	HERMES,SHP1,T3.0,BLACK	1		SA
	DA97-02278D	ASSY HINGE UPP-L	HERMES-T/K	1		SA
4	DA97-04979H	"ASSY COVER HINGE-UPP R (BASIC)"	HERMES, SNOW WHITE	1	1	SA
	DA97-04979J		HERMES, I-BLACK	1	1	
	DA97-04979K		HERMES, TITAN GRAY	1	1	
	DA97-04979D		HERMES, MANHATTAN SILVER	1	1	
	DA97-04979L		HERMES, NOBLE STS	1	1	
	DA97-04979F		HERMES, INOX	1	1	
	DA97-04979Q	HERMES, VANILLA BEIGE				
	DA97-05662B	"ASSY COVER HINGE-UPP R (T/K)"	HERMES-T/K, BRILLIANT GOLD	1	1	
	DA97-05662G		HERMES-T/K, SNOW WHITE	1	1	
	DA97-05662A		HERMES, I-BLACK,R600a	1	1	
	DA97-05662C		HERMES-T/K,NOBLE GRAY	1	1	
	DA97-07894A	"ASSY COVER HINGE-UPP R (BASIC S/W)"	HERMES, NOBLE GRAY,R600a	1	1	
	DA97-07894B		HERMES, SNOW WHT,R600a	1	1	
	DA97-07894C		HERMES, TITAN GRAY,R600a	1	1	
	DA97-07894D		HERMES, I-BLACK,R600a	1	1	
	DA97-07894E		HERMES, VANILLA BEIGE,R600a	1	1	
	DA97-07895A	"ASSY COVER HINGE-UPP R (BASIC S/W)"	HERMES, SNOW WHITE,R600a	1	1	
	DA97-07895B		HERMES-T/K, BRILLIANT GOLD,R600a	1	1	
DA97-07895C	HERMES, I-BLACK,R600a		1	1		
DA97-07895D	HERMES-T/K,NOBLE GRAY		1	1		
4-1	DA63-03530H	"COVER HINGE-UPP R (BASIC)"	HIPS, T2.5, SNOW WHITE	1	RS****SW	SA
	DA63-03530J		HIPS, T2.5, I-BLACK	1	RS****BP	
	DA63-03530K		HIPS, T2.5, TITAN GRAY	1	RS****PE	
	DA63-03530D		ABS, T2.5, MANHATTAN SILVER	1	RS****MH	
	DA63-03530L		HIPS, T2.5, NOBLE STS	1	RS****RS	
	DA63-03530F		ABS, T2.5, INOX	1		
	DA63-03530P		HERMES, VANILLA BEIGE	1	RS****IS	

EXPLODED VIEW & PART LIST

Parts List of Cabinet (RS21/23H-Basic)

NO	CODE NO	PART NAME	Spec	Quantity	Remark	SA/SNA	
4-1	DA63-03897B	COVER HINGE-UPP R(T/K)	HERMES-T/K, BRILLIANT GOLD	1	RS****AW/PM	SA	
	DA63-03897G		HERMES-T/K, SNOW WHITE	1			
	DA63-03897A		HERMES, I-BLACK,R600a	1			
	DA63-03897C		HERMES-T/K,NOBLE GRAY	1			
	DA63-05154B	COVER HINGE-UPP R(T/K)	HERMES-T/K, BRILLIANT GOLD	1			
	DA63-05154A		HERMES-T/K, SNOW WHITE	1			
	DA63-05154C		HERMES, I-BLACK,R600a	1			
	DA63-05154D		HERMES-T/K,NOBLE GRAY	1	RS****FH		
	DA63-05153A	COVER HINGE-UPP R(T/K S/W)	HM09,HIPS,NOBLE GRAY(SC-02008R)	1			
	DA63-05154B		HM09,HIPS,SNOW WHITE(SC-97527R)	1			
	DA63-05155C		HM09,HIPS,TITAN GRAY(SC-03186R)	1			
	DA63-05156D		HM09,HIPS,I-BLACK(SC-00477R)	1	RS****FH		
DA63-05156E	HERMES, VANILLA BEIGE,R600a		1				
4-2	DA34-00043A	SWITCH REED ASSY	200VDC,1.5	1		SA	
	DA34-00043F	SWITCH REED ASSY		1		SA	
4-3	3402-000165	SWITCH-ROCKER	125/250V	1		SA	
4-4	DA63-05170A	GROMMET-COVER SWITCH	SLIICONE	1		SA	
5	DA61-03355A	HINGE-UPP R	HERMES,SHP1,T3.0,BLACK	1		SA	
	DA97-02279D	ASSY HINGE UPP-R	ASSY HINGE UPP-R	1		SA	
6	DA97-04107A	ASSY HINGE LOW-L	ASSY HINGE LOW-L	1		SA	
	DA97-04355B	ASSY HINGE LOW-L	ASSY HINGE LOW-L				
6-1	6003-001435	SCREW-TAPTITE	HWH,S,M5,L12.7,ZPC(WHT),SWRCH18A	1		SA	
6-2	DA61-02891A	HINGE-LOW FRE	SHP1,T4.5,W54.6,L57	1		SA	
6-3	DA66-00343A	CAM-RISER	TH,+,WT,TC,M4,L10,ZPC(YEL)	2		SNA	
7	DA97-04354A	ASSY HINGE LOW R	BASIC,10.5 Gasket	1		SA	
7-1	6003-001435	SCREW-TAPTITE	HWH,M5,L12.7,ZPC(WHT),SWRCH18A	1		SA	
7-2	6011-001442	BOLT-SOCKET	M8,L15,ZPC(BLK),SCM435	1		SNA	
7-3	6021-001125	NUT-HEXAGON	3,M8, P1.25,ZPC(BLK),SWRCH10	1		SNA	
7-4	DA61-02966A	HINGE-LOW REF	10.5mm,SCP1,T4.5,T3.0,	1		SA	
7-5	DA66-00401A	CAM-RISER	NY-66(2110R),BLACK	1		SNA	
8	DA61-00805A	FOOT-FRONT	PP,PI44,NTR,H65.8,BOLT(MSWR10/ZPC2-Y)	2		SA	
9	DA97-03869E	ASSY TRAY-DRAIN WATER	HERMES-PJT,W242.3,L320.5	1		SA	
9-1	6009-001252	SCREW-SPECIAL	PH,M4.0,L20(12),ZPC	4		SA	
9-2	DA97-05564A	SEAL-SUB CONDENSER	FOAM-PE	1		SNA	
9-3	DA63-03069B	TRAY DRAIN-WATER	PP SCRAP,T2.0	1		SA	
9-4	DA97-03962C	ASSY PIPE-SPIRAL COND	HERMES-PJT	1		SA	
9-5	DA63-40128A	GROMMET-SUB COND	NBR	2		SA	
9-6	DA63-40171B	GROMMET-SUCT PIPE A	NBR,OD20,ID4,L20	2		SA	
10	DA31-00010F	FAN-ASS'Y	°C 150	1		SA	
10-1	DA31-00015C	FAN-TURBO	ABS+GLASS FIBER 10%,GR-4010	1		SA	
10-2	DA61-03139A	SPRING ETC-FAN	STS304,PI7.8,OD1.0	1		SA	
11	2301-001695	C-FILM,LEAD	5UF,350V,BK	1	230V,50Hz	SA	
	2301-001837		12000nF,-5/10%,250V,Bulk,50x25x36	1	110~127V,60Hz		
	2301-001848		5000nF,-5/10%,450V,Bulk,50x25x36	1	220~240V,50Hz		
12	DA96-00174A	ASS'Y-HARNESS,COMP	EPEL,WIRE-HARNESS MAIN,A	1	230V,50Hz	SA	
	DA96-00174C		AW-PJT,AWG 18	1	110~127V,60Hz		
	DA96-00174D		AW-PJT,AWG #18	1			
	DA39-00154A	WIRE HARNESS-COMP	INVERTER,WIRE HARNESS COMP	1	INVERTER		
13	DA96-00270A	ASS'Y-RELAY,PTC	12SP18A265RF330,130°C/61°C,33Ω	1	230V,50Hz,R600a	SA	
	DA96-00270C		12SP16A435RF100,135/61°C,10Ω	1	110~127V,60Hz,R134a		
	DA96-00270D		12SP17A317RH220,130/69°C,22Ω	1	220~240V,50Hz,R134a		
	DA96-00496G		37265RHY330SCF1, 130/69°C, 33ohm, SM-COMBO	1			
	DA96-00496H		12SP16A435RF100, 135/61°C, 10Ω	1			
	DA34-00004C		RELAY PROTECTOR O/L	4TM319SFBYY-82,BK190HL2X,S/T_13.0A, U/T_3.10A,135,61	1		INVERTER,R600a
DA34-00004B	RELAY PROTECTOR O/L	4TM308RFBYY-82,BK190HL2X,S/T_11.4A,U/T_2.57A,130°C,61°C	1	INVERTER,110~127V,60Hz			

EXPLODED VIEW & PART LIST

■ Parts List of Cabinet (RS21/23H-Basic)

NO	CODE NO	PART NAME	Spec	Quantity	Remark	SA/SNA
13	DA34-10003V	RELAY PROTECTOR O/L	4TM265RHBYY-53,ST9.4,UT2.06,69,130	1		SA
14	DA63-02017A	GROMMET-COMP	EPDM	4		SA
15	DA39-20389L	W/HARNESS EARTH	TMF/LMF,AWG #18,150mm	1		SA
16	DA60-10143A	SCREW-EARTH	BH,M4,L10,PASS,BS	2		SA
17	MK4A5QR1U/E10	COMPRESSOR	220-240V °C 50HZ,RSCR,STATIC	1	230V,50Hz,R600a	SA
	MK190GL2U/E08		9.08CC,200/220-50,220-60,RSCR	1	220-240V,50Hz,R134a	
	MK172DR2U/E08		115-127V~60HZ,RSCR,FAN	1	110-127V,60Hz,R134a	
	EQ4A5QL2X/E01		15.31CC,BLDC,R-600A	1	230V,50Hz,INVERTER,R600a	
	EU4A5CL2X/E01		15.31CC,115V/60HZ,BLDC,R-600A	1	110-127V,INVERTER,R600a	
	EU4A5QL2XA/E01		15.31CC,200-220V/50-60HZ,BLDC,R-600A,FAN COOLING,AL	1	220-240V,INVERTER,R600a	
	MK183CS2U/E08		8.19CC,115V-60HZ,RSCR	1	115V,60Hz	
MK190QL2U/E18	220/240V-50HZ,RSCR,FAN	1	220-240V,50Hz			
18	DA62-01514A	DRYER-ASSY	C1220T,OD18.70,L114, HM CYCLE	1		SNA
	DA62-01514B		TDM CYCLE			
20	6011-001656	BOLT-HEX	HWH,M6,L16,ZPC(WHT),SWRCH18A	4		SA
21	DA60-20008A	BOLT-HEX	S25C,L42.6	4		SA
22	DA63-40171B	GROMMET-SUCT PIPE A	NBR,OD20,ID4,L20	1		SA
23	DA63-40171D	GROMMET-SUCT PIPE B	RAIL L19.5,NR,OD20	2		SA
24	DA97-06085A	ASSY PIPE CONNECT-SUCTION	SUCTION	1		SNA
25	DA97-04045A	ASSY TUBE-DRAIN	SOFT-PVC	2		
26	DA97-03971E	ASSY CHASSIS-COMP	SBHG1,T1.2	1		
26-1	DA60-90146A	PIN-CASTER	MSWR10,OD6.0,L40,ZPC2	2		
26-2	DA61-40126B	CASTER-REAR	PP,PI 44,NTR,W22	2		SA
26-3	DA64-01808E	CHASSIS COMP	SBHG1,T1.2,W255.5,L895.2	1		
27	DA97-03870B	ASSY SUPPORT-CIRCUIT MOTOR	ET/A-TOP_VE	1		SA
27-1	6003-000003	SCREW-TAPTITE	BH,B,M4,L10,ZPC(BLK)	2		
27-2	DA31-00146B	MOTOR DC-BLDC SENSOR	DRCP5030LA,230mA	1		SA
27-3	DA61-02355B	BRACKET-CIRCUIT MOTOR	ABS,WHI	1		SA
27-4	DA61-02788A	SUPPORT-CIRCUIT MOTOR	ET/A-TOP_VE,ABS,T2	1		SA
27-5	DA62-01297A	SEAL-SUPPORT MOTOR	FOAM PE,T15,	1		SNA
27-6	DA63-01146A	GROMMET-MOTOR,REAR	NBR,ID6.5	2		SA
27-7	DA63-40167A	GROMMET-COVER CHIL	T3.0,SILICON	1		SA
27-8	DA96-00042A	ASSY-W/HARNESS MOTOR	W/HARNESS	1		SA
28	DA41-00470A	PBA MAIN	HERMES-PJT, TOP OF REF,FR-1,247*197, 1.6T,BASIC,230V,50HZ	1	RS21HB/N,RS23HN,R600a	SA
	DA41-00471B		HERMES-PJT, TOP OF REF,FR-1,247*197, 1.6T,R134a,BASIC,AC COMP, C,110/230,50/60	1	RS21HB/N,RS23HN,R134a	
	DA41-00472C		HERMES-PJT, TOP OF REF,FR-1,247*197, 1.6T,R600a, BASIC, INV COMP, °C,230,50	1	RS21HS,R600a,INVERTER	
	DA41-00473D		HERMES-PJT, TOP OF REF,FR-1,247*197, 1.6T,R600a, R-HOMEBAR, INV COMP, °C,230,50	1	RS21HV,R600a,INVERTER	
	DA41-00642A		09 HERMES-PJT, TOP OF REF,FR-1,247*197, 1.6T,V/S Option , R600a, TDM, ISO, °C,230,50,N	1	RS21HV/S,R600a,INVERTER,CHINA	
	DA41-00642B		09 HM-PJT, TOP OF REF,FR-1,247*197, 1.6T,V/S Option , R600a, HM, ISO, °C,N	1	RS21HV/S,R600a,INVERTER	
	DA41-00642C		09 HM-PJT, TOP OF REF,FR-1,247*197, 1.6T,N Option , R600a, HM, ISO, °C,Y,SMPS, TOP 246YN	1	RS21HB/N,R600a,AC	
	DA41-00642D		09 HM-PJT, TOP OF REF,FR-1,247*197, 1.6T,N Option,R134a, HM, ISO-T, °C,Y,SMPS, TOP 246YN	1	RS21HB/N,R134a,AC	
DA41-00642E	09 HM-PJT, TOP OF REF,FR-1,247*197, 1.6T,N Option , R134a, HM, AHAM, °C, Y,SMPS, TOP 246YN	1				
29	DA27-00019A	COIL FILTER-EMI FILTER	HERMES-PJT,20mH,40mΩ,33±1,82°60,TPS2008-I01,-25~+85°C	1		SA
30	DA61-03363A	CASE-PBA MAIN	HERMES,N-PP,CP,NONFLAMMABLE	1		SA
31	DA63-04565A	ASSY COVER-PBA MAIN	HERMES,SBHG1,T0.35	1	R134a	SA
	DA63-03276B		SBHG1,T0.35	1	R600a	
32	6001-000541	SCREW-MACHINE	PH,+,M4,L6,ZPC(YEL),SWRCH1	2		SA
33	6002-000213	SCREW-TAPPING	TH,1,M4,L12,ZPC(YEL),S	9		SA
34	6002-000470	SCREW-TAPPING	TH,M4,L10,ZPC(YEL),S	3		SA
35	6011-001656	BOLT-HEX	HWH,M6,L16,ZPC(WHT),SWRCH18A	6		SA

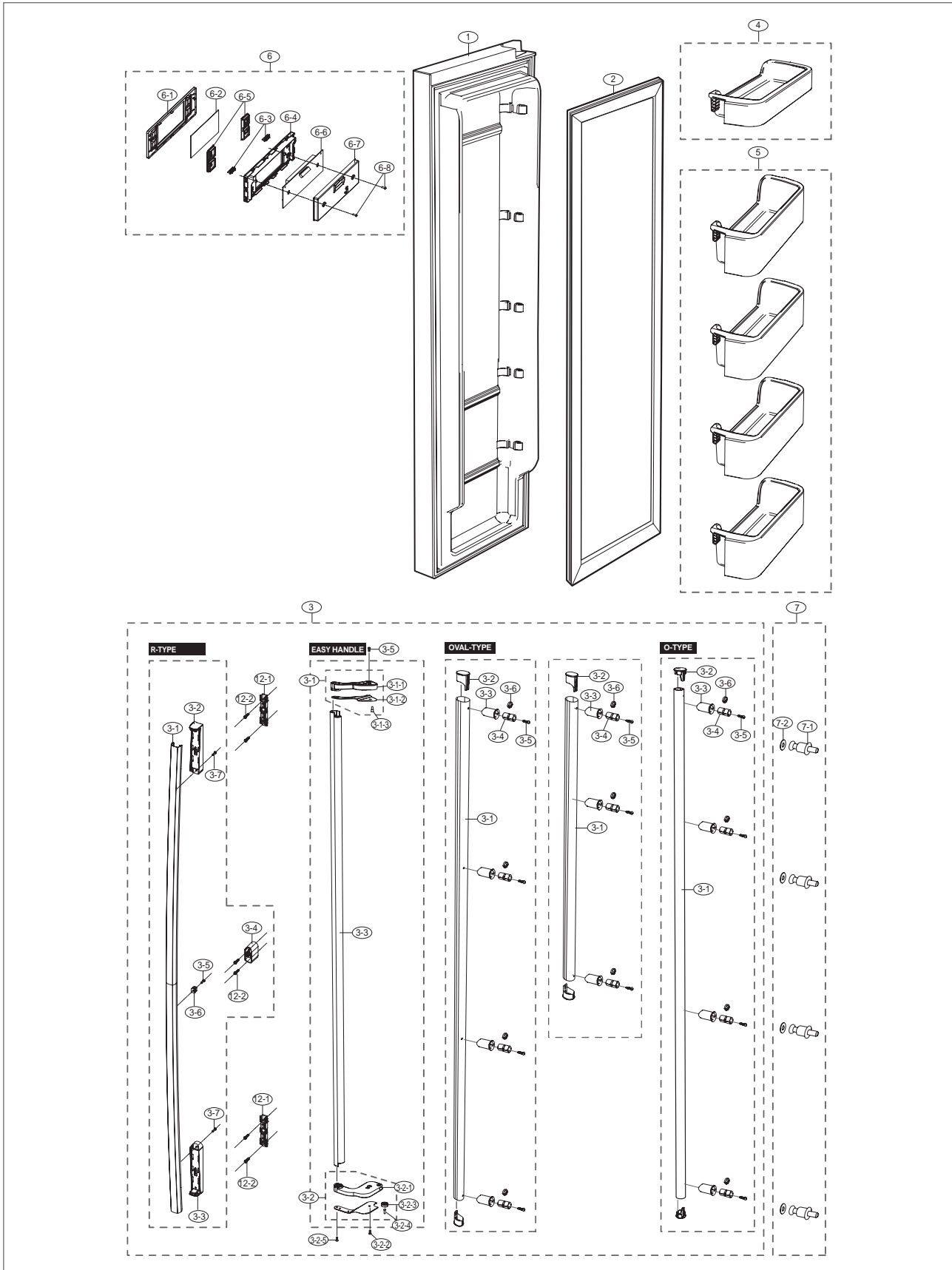
EXPLODED VIEW & PART LIST

Parts List of Cabinet (RS21/23H-Basic)

NO	CODE NO	PART NAME	Spec	Quantity	Remark	SA/SNA
36	DA63-04559A	COVER LEG-FRONT	PP, T1.8, SNOW WHITE	1	RS****SW	SA
	DA63-03531B		PP, T1.8, I-BLACK	1	RS****BP	
	DA63-03531C		PP, T1.8, TITAN GRAY	1	RS****PE	
	DA63-03531D		PP, T1.8, MANHATTAN SILVER	1	RS****MH	
	DA63-03531E		PP, T1.8, NOBLE STS	1	RS****RS	
	DA63-03531F		PP, T1.8, INOX	1	RS****IS	
	DA63-05031A		HM09,PP,SNOW WHITE	1	RS21H**FH/SW	
	DA63-05031B		HM09,PP,EBE FLOWER WINE	1	RS21H**PM	
	DA63-05031C		HM09,PP,STS-KP	1	RS21H**PN	
	DA63-05031D		HM09,PP,I-BLACK	1	RS21H**BP	
	DA63-05031E		HM09,PP,INOX	1	RS21H**IS	
	DA63-05031F		HM09,PP,DAISY BEGIE	1	RS21H**VB	
	DA63-05031A		HM09,PP,PLATINUM SILVER,55MM	1	RS21H**FH/SW	
	DA63-05031B		HM09,PP,EVE FLOWER WINE,55MM	1	RS21H**PM	
	DA63-05031C		HM09,PP,STS-KP,55MM	1	RS21H**PN	
	DA63-05031D		HM09,PP,I-BLACK,55MM	1	RS21H**BP	
	DA63-05031E		HM09,PP,INOX,55MM	1	RS21H**IS	
	DA63-05031F		HM09,PP,DAISY BEGIE	1	RS****	
	DA63-05031G		HM09,PP,TITAN GRAY(SC-03186R),55MM	1	RS****PE	
	DA63-05031H		HM09,PP,VANILLA BEIGE,55MM	1	RS21H**VB	
DA63-05031J	HM09,PP,BRILLIANT GOLD(SC-05149R),55MM	1	RS****AW			
DA63-05031K	HM09,PP,PLATINUM SILVER,55MM	1	RS21H**TS			
37	DA97-05202D	ASSY COVER-COMP	HERMES-PJT,SEAL CUTT W15,HERMES-PJT,SBHG1,T0.3,SEAL CUTT W15	1		SA
38	DA61-03298C	BRACKET-HINGE LOW	AL(6063),T2.9,W55.4,L42.1,1.5mm	1		SA
	DA61-03614B		HERMES	1		SA
	DA61-03036D		AT06	1		SA
39	DA39-00057C	CBF-POWER CORD	BP-3(SA16A),HOUSING TYPE	1	XFA	SA
	DA39-00059B		SP-3,HOUSING TYPE	1	SWS	
	DA39-10003E		EP-2(125V/12A),HOUSING TYPE	1	SCL	
	DA39-10106F		AP-3,HOUSING TYPE	1	RAD,XSA	
	DA39-10115D		UCP-2,250V,10/16A,L2100,VDE,300,3,1	1	BUL,BWT,BUSEUR,HAC,XAG,XEE,XEFX EG,XEH,XEN,XEO,XEP,XES,XSC,XSE	
	DA39-10127D		WS-013,HOUSING TYPE	1	G	
	DA39-10139D		WS-013,HOUSING TYPE	1	XME	
	DA39-10139E		BF-3(APPROVED,BK168),HOUSING TYPE	1	XSS	
	DA39-10164E		BF-3(BSI),HOUSING TYPE	1	XEU	
	DA39-10165C		SPT-3,HOUSING TYPE	1	XAP,XEM	
	3903-000153		EP-2(250V/12A),HOUSING TYPE	1	SAM,XTC	
	3903-000310		TP2,HOUSING TYPE	1	XST	
	3903-000161		EP2,HOUSING(2P),125V,11A,BLK	1	XTW	
	DA39-10165C		SPT-3,HOUSING TYPE	1	XAP,XEM	
	3903-000153		EP-2(250V/12A),HOUSING TYPE	1	SAM,XTC	
	3903-000310		TP2,HOUSING TYPE	1	XST	
3903-000161	EP2,HOUSING(2P),125V,11A,BLK	1	XTW			
40	DA41-00442Q	PBA SUB-INVERTER	HERMES-PJT,TOP,FR-1,1.6	1	XSC	SA
41	DA97-07070B	ASSY MOTOR-STEP VALVE	JM-PJT	1	RSJ1	SNA

EXPLODED VIEW & PART LIST

5-11) Freezer Door (RS21/23-Basic)



EXPLODED VIEW & PART LIST

■ Parts List of Freezer Door (RS21/23-Basic)

NO	CODE NO	PART NAME	Spec	Quantity	Remark	SA/SNA
1	DA91-02527A	ASSY-DOOR FOAM FRE	HERMES,55mm,SW,BASIC	1	RS21HB/N	SNA
	DA91-02568A		HERMES,SW,B,T,BASIC,85mm	1	RS23HN	SNA
2	DA97-04567C	ASSY-GASKET DOOR FRE	SF-PVC	1		SA
3	EASY HANDLE			1	RS21H*E	
3-1	DA97-05173A	ASSY-CAP-HANDLE-FRE-UPP	HERMES, SNOW WHITE	1	RS21H*ESW	SA
	DA97-05173B		HERMES, I-BLACK	1	RS21H*EBP	
	DA97-05173C		HERMES, TITAN GRAY	1	RS21H*EPE	
	DA97-05173D		HERMES, MANHATTAN SILVER	1	RS21H*EMH	
	DA97-05173E		HERMES, NOBLE STS	1	RS21H*ERS	
	DA97-05173G		HERMES, CROWN ROYAL	1	RS21H*EIS	
3-1-1	DA67-01684A	CAP-HANDLE-FRE-UPP	JM,PC-ABS,WHITE	1	RS21H*ESW	SNA
	DA67-01684B		JM,PC-ABS,I-BLACK	1	RS21H*EBP	
	DA67-01684C		JM,PC-ABS,TITAN GRAY,PLATINUM-SILVER(SC-05010S)	1	RS21H*EPE	
	DA67-01684D		JM,PC-ABS,MANHATTAN SILVER,MANHATTAN SILVER(SC-06036S)	1	RS21H*EMH	
	DA67-01684E		JM,PC-ABS,NOBLE STS,VERSAILLES STS(SC-05061S)	1	RS21H*ERS	
	DA67-01684G		JM,PC-ABS,CROWN ROYAL(SC-07025S)	4	RS21H*EIS	
3-1-2	DA61-03407A	REINF-HANDLE-FRE-UPP	JM,SHP1,T2.0,ZPC2	2	RS21H*E**	SA
3-1-3	6006-001170	SCREW-TAPPING	TH,M4,L12,ZPC(WHT)	1		SA
3-2	DA97-05175A	ASSY-CAP-HANDLE-FRE-LOW	HERMES, SNOW WHITE	1	RS21H*ESW	SA
	DA97-05175B		HERMES, I-BLACK	2	RS21H*EBP	SA
	DA97-05175C		HERMES, TITAN GRAY	4	RS21H*EPE	
	DA97-05175D		HERMES, MANHATTAN SILVER	4	RS21H*EMH	
	DA97-05175E		HERMES, NOBLE STS	1	RS21H*ERS	
	DA97-05175M		HERMES, STS GRAY	1	RS21H*EIS	
3-2-1	DA67-01685A	CAP-HANDLE-FRE-LOW	JM,PC-ABS,WHITE	2	RS21H*ESW	
	DA67-01685B		JM,PC-ABS,I-BLACK	1	RS21H*EBP	
	DA67-01685C		JM,PC-ABS,TITAN GRAY,PLATINUM-SILVER(SC-05010S)	4	RS21H*EPE	
	DA67-01685D		JM,PC-ABS,MANHATTAN SILVER,MANHATTAN SILVER(SC-06036S)	4	RS21H*EMH	
	DA67-01685E		JM,PC-ABS,NOBLE STS,VERSAILLES STS(SC-05061S)	1	RS21H*ERS	
	DA67-01685M		JM,PC-ABS,STS GRAY,G31576C	1	RS21H*EIS	
3-2-2	6006-001170	SCREW TAPPING	TH,M4,L12,ZPC(WHT)	1		SA
3-2-3	DA66-00448A	ROLLER LEVER LINK,A	CULLINAN,POM,NEO-VICTORY GRAY(SC-02684R),EASY-OPEN	1	RS21H*E**	SNA
3-2-4	DA81-01304A	PIN ROLLER EASY	MSWR10,5,TRIVALEN CR Coat	2	RS21H*E**	SNA
3-2-5	DA61-03408A	REINF-HANDLE-FRE-LOW	JM,SHP1,T2.0,ZPC2	1	RS21H*E**	SA
3-3	DA64-02142A	HANDLE-BAR	JM,GRAY,SPRAY(VICTORY SILVER : SC-016459)	1	RS21H*EPE	SA
	DA64-02142B		JM,AL(A6063),SC-07018T(BALLENTINE BLACK)	1	RS21H*EBP	
	DA64-02142C		JM,AL(A6063),SC-05016T(SNOW WHITE)	1	RS21H*ESW	
	DA64-02691C		JM,AL,SC-06034T(INOX)	1	RS21H*EMH/RS/IS	
3-4	6002-000548	SCREW-TAPPING	TH,+,2S,M4,L25,ZPC(WHT),STS304	1	RS21H*E	SA
3-5	6001-000716	SCREW-MACHINE	TH,+,M5,L16,ZPC(WHT),MSWR10	1	RS21H*E	SA
O TYPE HANDLE				1	RS21H/23H*B**	
3	DA97-05076S	ASSY-HANDLE BAR FRE	HERMES-PJT,SW(ONE TOUCH)	1	RS21H/23H*BSW	SA
	DA97-05076T		HERMES-PJT,BP(ONE TOUCH)	1	RS21H/23H*BBP	
	DA97-05076Q		HERMES,AL(A6063), L1637, CIRCLES,PLATINUM-SILVER,ONE TOUCH	1	RS21H/23H*BPE	
	DA97-05076R		HERMES-PJT,MH/RS/IS(ONE-TOUCH)	1	RS21H/23H*BMH/RS/IS	
3-1	DA64-02618A	HANDLE-BAR(O TYPE HANDLE)	HERMES,AL,T1.0,-,L1633,-,SC-05016T(SNOW WHITE)	1	RS21H/23H*BSW	SA
	DA64-02618F		HERMES-PJT,AL,T1.0,-,L1633,SC-03106T(Mature-black)	1	RS21H/23H*BBP	
	DA64-02618C		HERMES-PJT,AL,T1.0,L1633,SC-06147T(Natural Silver)	1	RS21H/23H*BPE	
	DA64-02618E		HERMES-PJT,AL,T1.0,L1633,SC-06034T(INOX)	1	RS21H/23H*BMH/RS/IS	
3-2	DA67-02024B	CAP-HANDLE SIDE	CORE,ABS,NTR,SILVER Plating	1	RS21H/23H*B	SA
	DA67-02024D		CORE,ABS,SNOW-WHITE	1	RS21H/23H*B	
3-3	DA67-01810A	CAP-SUPPORT HANDLE	HERMES, SNOW WHITE	4	RS21H/23H*BSW	SA
	DA67-01810B		HERMES, I-BLACK	4	RS21H/23H*BBP	
	DA67-02009B		HERMES, PLATINUM PEARL GRAY,DAC-GR0802	4	RS21H/23H*BPE	

EXPLODED VIEW & PART LIST

■ Parts List of Freezer Door (RS21/23-Basic)

NO	CODE NO	PART NAME	Spec	Quantity	Remark	SA/SNA
3-3	DA67-02009A	CAP-SUPPORT HANDLE	HERMES, MANHATTAN PEARL GRAY,DAC-GR071	4	RS21H/23H*BMH/RS/IS	SA
3-4	DA61-03726A	SUPPORT-HANDLE	HERMES,NY66,NTR	4		SA
3-5	6009-001512	SCREW-SPECIAL	BH,+,-,M4,L16,ZPC(WHT),SWRCH18A	4		SA
3-6	DA61-03636A	STOPPER-HANDLE	CULLINAN,SK5	4		SA
OVAL TYPE				1	RS21H/23H*T**	
3	DA97-05074U	ASSY-HANDLE BAR FRE	HERMES-PJT,SW(ONE-TOUCH)	1	RS21H/23H*BSW	SA
	DA97-05074X		HERMES-PJT,BP(ONE-TOUCH)	1	RS21H/23H*BBP	
	DA97-05074Y		HERMES-PJT,PE(ONE-TOUCH)	1	RS21H/23H*BPE	
	DA97-05074Z		HERMES-PJT,MH/RS/IS(ONE-TOUCH)	1	RS21H/23H*BMH/RS/IS	
3-1	DA64-02442A	HANDLE-BAR(OVAL TYPE HANDLE)	HERMES,AL,1633,SNOW-WHITE	1	RS21H/23H*BSW	SA
	DA64-02442D		HERMES,AL,1633,MATURE-BLACK	1	RS21H/23H*BBP	
	DA64-02442B		HERMES,AL1633,NATURAL-SILVER	1	RS21H/23H*BPE	
	DA64-02442C		HERMES,AL,1633,INOX	1	RS21H/23H*BMH/RS/IS	
3-2	DA67-01913A	CAP-HANDLE	HERMES,ABS,W20.8,L37.3,NEO VICTORY GRAY	1	RS21H/23H*T**	SA
	DA67-01913B		HERMES,ABS,W20.8,L37.3,SILVER	1	RS21H/23H*T**	
3-3	DA67-01810A	CAP-SUPPORT HANDLE	HERMES, SNOW WHITE	4	RS21H/23H*BSW	SA
	DA67-01810B		HERMES, I-BLACK	4	RS21H/23H*BBP	
	DA67-02009B		HERMES, PLATINUM PEARL GRAY,DAC-GR0802	4	RS21H/23H*BPE	
	DA67-02009A		HERMES, MANHATTAN PEARL GRAY,DAC-GR071	4	RS21H/23H*BMH/RS/IS	
3-4	DA61-03726A	SUPPORT-HANDLE	HERMES,NY66,NTR	4		SA
3-5	6009-001512	SCREW-SPECIAL	BH,+,-,M4,L16,ZPC(WHT),SWRCH18A	4		SA
3-6	DA61-03636A	STOPPER-HANDLE	CULLINAN,SK5	4		SA
SHORT-TYPE				1	RS21H/23H*H**	
3	DA97-05974A	ASSY-HANDLE BAR	HERMES,ABS, L928.5, ELLIPSE,SNOW WHITE,ONE TOUCH	1	RS21H/23H*BSW	SA
	DA97-05347H		HERMES,ABS, L928.5, ELLIPSE,I-BLACK,ONE TOUCH	1	RS21H/23H*BBP	
	DA97-05974E		HERMES,ABS, L928.5, ELLIPSE,PLATINUM-SILVER,ONE TOUCH	1	RS21H/23H*BPE	
	DA97-05974F		HERMES,ABS, L928.5, ELLIPSE,MH/RS/IS,ONE-TOUCH	1	RS21H/23H*BMH/RS/IS	
3-1	DA64-02443A	HANDLE-BAR(SHORT TYPE HANDLE)	HERMES,AL,L923.5,SNOW-WHITE	1	RS21H/23H*BSW	SA
	DA64-02234B		HERMES-PJT,ABS,I-BLACK(SC-00477R)	1	RS21H/23H*BBP	
	DA64-02443C		HERMES,AL,L923.5,MATURE-BLACK	1	RS21H/23H*BPE	
	DA64-02443D		HERMES,AL,L923.5,INOX	1	RS21H/23H*BMH/RS/IS	
3-2	DA67-01913B	CAP-HANDLE	HERMES,ABS,W20.8,L37.3,SILVER	2	RS21H/23H*T**	SA
3-3	DA67-01810A	CAP-SUPPORT HANDLE	HERMES, SNOW WHITE	4	RS21H/23H*BSW	SA
	DA67-01810B		HERMES, I-BLACK	4	RS21H/23H*BBP	
	DA67-02009B		HERMES, PLATINUM PEARL GRAY,DAC-GR0802	4	RS21H/23H*BPE	
	DA67-02009A		HERMES, MANHATTAN PEARL GRAY,DAC-GR071	4	RS21H/23H*BMH/RS/IS	
3-4	DA61-03726A	SUPPORT-HANDLE	HERMES,NY66,NTR	4		SA
3-5	6009-001512	SCREW-SPECIAL	BH,+,-,M4,L16,ZPC(WHT),SWRCH18A	4		SA
3-6	DA61-03636A	STOPPER-HANDLE	CULLINAN,SK5	4		SA
R TYPE HANDLE				1		
3	DA97-07724F	ASSY-HANDLE BAR	HERMES09,AL,SC-06034T(INOX)	1	RS21H/23H*R HANDLE	SA
	DA97-07724B		HERMES09,AL,SC-06147T(Natural Silver)	1	RS21H/23H*R HANDLE	
	DA97-07724C		HM09,AL,SC-06034T(INOX),VERSAILLES STS(SC-05061S)	1	RS21H/23H*R HANDLE	
	DA97-07724D		HM09,AL,SC-97527S(Snow White)	1	RS21H/23H*R HANDLE	
	DA97-07724E		HM09,AL,DAC-BR0901T(Vanilla Beige)	1	RS21H/23H*R HANDLE	
3-1	DA64-03016E	HANDLE-BAR	HERMES09,AL,SC-06034T(INOX)	1	RS21H/23H*R HANDLE	SA
	DA64-03016B		HERMES09,AL,SC-06147T(Natural Silver)	1	RS21H/23H*R HANDLE	
	DA64-03016C		HM09,AL,SC-97527S(Snow White)	1	RS21H/23H*R HANDLE	
	DA64-03016D		HM09,AL,DAC-BR0901T(Vanilla Beige)	1	RS21H/23H*R HANDLE	
3-2	DA67-02361A	CAP-HANDLE UPP	HERMES09,ABS,MANHATTAN SILVER(SC-06036S)	1	RS21H/23H*R HANDLE	SA
	DA67-02361B		HERMES09,ABS,PLATINUM SILVER(SC-05010S)	1	RS21H/23H*R HANDLE	
	DA67-02361C		HERMES09,ABS,VERSAILLES STS(SC-05061S)	1	RS21H/23H*R HANDLE	
	DA67-02361D		HERMES09,ABS,SNOW WHITE,(SC-97527S)	1	RS21H/23H*R HANDLE	
	DA67-02361E		HERMES09,ABS,Vanilla Beige,(DAC-BRD901R),GLOSSY	1	RS21H/23H*R HANDLE	
3-3	DA67-02360A	CAP-HANDLE LOW	HERMES09,ABS,MANHATTAN SILVER(SC-06036S)	1	RS21H/23H*R HANDLE	SA

EXPLODED VIEW & PART LIST

Parts List of Freezer Door (RS21/23-Basic)

NO	CODE NO	PART NAME	Spec	Quantity	Remark	SA/SNA
3-3	DA67-02360B	CAP-HANDLE LOW	HERMES09,ABS,PLATINUM SILVER(SC-05010S)	1	RS21H/23H*R HANDLE	SA
	DA67-02360C		HERMES09,ABS,VERSAILLES STS(SC-05061S)	1	RS21H/23H*R HANDLE	
	DA67-02360D		HERMES09,ABS,SNOW WHITE,(SC-97527S)	1	RS21H/23H*R HANDLE	
	DA67-02360E		HERMES09,ABS,Vanilla Beige,(DAC-BRD901R),GLOSSY	1	RS21H/23H*R HANDLE	
3-4	DA61-05338A	SUPPORT-HANDLE MID	HERMES09,ABS,MANHATTAN SILVER(SC-06036S)	1	RS21H/23H*R HANDLE	SA
	DA61-05338B		HERMES09,ABS,PLATINUM SILVER(SC-05010S)	1	RS21H/23H*R HANDLE	
	DA61-05338C		HM09,ABS,VERSAILLES STS(SC-05061S)	1	RS21H/23H*R HANDLE	
	DA61-05338D		HM09,ABS,SNOW WHITE(SC-97527R,GLOSSY	1	RS21H/23H*R HANDLE	
	DA61-05338E		HM09,ABS,Vanilla Beige(DAC-BR0901R),GLOSSY	1	RS21H/23H*R HANDLE	
3-5	6002-000215	SCREW-TAPTITE	TH,+,-,1,M4.0,L16,ZPC(WHT),SWRCH18A	1	RS21H/23H*R HANDLE	SA
3-6	DA63-00789A	GROMMET FIXER	EXP,PC-ABS,-,-,-,-, SILVER-GRAY,REAL-STAINLESS	1	RS21H/23H*R HANDLE	SA
3-7	6002-000215	SCREW-TAPTITE	TH,+,-,1,M4.0,L16,ZPC(WHT),SWRCH18A	2	RS21H/23H*R HANDLE	SA
12-1	DA61-05337A	FIXER-HANDLE	HERMES09,NY-66,NTR	2	RS21H/23H*R HANDLE	SA
12-2	6002-000613	SCREW-TAPPING	TH,+,-,2,M5,L16,ZPC(WHT),SWRCH18A	6	RS21H/23H*R HANDLE	SA
4	DA63-03642B	GUARD-FRE TOP	HERMES PJT,PP,COOL WHITE,1PIECE	1	RS21HF/D/B/N	SA
5	DA63-03643A	GUARD FRE-LOW	HERMES PJT,PP,COOL WHITE,1PIECE	4	RS21HF/D/B/N	SA
OPTION						
6	DA97-05169A	ASSY-COVER CONTROL FRONT FRE	HREMES-PJT,SNOW-WHITE	1	RS21HB/N/23HN*SW	SA
	DA97-05169B		HREMES-PJT,SC-00477R(I-BLACK)	1	RS21HB/N/23HN*BP/PE/MH/RS/IS	
	DA97-05169C		HREMES-PJT,SC-97527R(SNOW WHITE),POWER COOL	1	RS21HB/N/23HN*SW	
	DA97-05169D		HREMES-PJT,SC-00477R(I-BLACK),POWER COOL	1	RS21HB/N/23HN*BP/PE/MH/RS/IS	
	DA97-05169E		HREMES-PJT,SC-97527R(SNOW WHITE),China	1	RS21HS*SW	
	DA97-05169F		HREMES-PJT,SC-00477R(I-BLACK),China	1	RS21HS*BP/PE/MH/RS/IS	
	DA97-06894B		HREMES-PJT,SC-97527R(SNOW WHITE),TAIWAN	1	RS21HS*SW	
	DA97-06894C		HREMES-PJT,SC-00477R(I-BLACK),TAIWAN	1	RS21HS*BP/PE/MH/RS/IS	
6-1	DA63-03579A	COVER-CONTROL FRONT FRE	HERMES,ABS,T2.0,SC-00477R(I-BLACK)	1	RS21HB/N/S/23HN*SW	SA
	DA63-03579B		HERMES,ABS,T2.0,SC-97527R(SNOW-WHITE),BAISC	1	RS21HB/N/S/23HN*BP/PE/MH/RS/IS	
6-2	DA63-03572A	COVER-CONTROL WINDOW FRE	HERMES,ACRYL,T2.0,TRP,BASIC	1	RS21HB/N/23HN*SW	SNA
	DA63-03572B		HERMES,ACRYL,T2.0,SC-06151R(SMOG),BASIC	1	RS21HB/N/23HN*BP/PE/MH/RS/IS	
	DA63-03572C		HERMES,ACRYL,T2.0,TRP,BASIC(POWER-COOL)	1	RS21HB/N/23HN*SW	
	DA63-03572D		HERMES,ACRYL,T2.0,SC-06151R(SMOG),BASIC(POWER-COOL)	1	RS21HB/N/23HN*BP/PE/MH/RS/IS	
	DA63-03572E		HERMES,ACRYL,T2.0,TRP,BASIC(China)	1	RS21HS*SW	
	DA63-03572F		HERMES,ACRYL,T2.0,SC-06151R(SMOG),BASIC(China)	1	RS21HS*BP/PE/MH/RS/IS	
	DA63-03572N		HERMES,ACRYL,T2.0,TRP,BASIC(TAIWAN)	1	RS21HS*SW	
	DA63-03572P		HERMES,ACRYL,T2.0,SC-06151R(SMOG),BASIC(TAIWAN)	1	RS21HS*BP/PE/MH/RS/IS	
6-3	DA64-02127C	BUTTON-CONTROL A	HERMES,ABS,-,-,SC-04120S(EMPIRE SILVER PLUS),DISP	2	RS21HB/N/S/23HN*SW	SA
	DA64-02127B		HERMES,ABS,SC-07010R(HERMES H SMOG),DISP	2	RS21HB/N/S/23HN*BP/PE/MH/RS/IS	SA
6-4	DA64-02128C	BUTTON-CONTROL B	HERMES,ABS,-,-,SC-04120S(EMPIRE SILVER PLUS),DISP	2	RS21HB/N/S/23HN*SW	SA
	DA64-02128B		HERMES,ABS,SC-07010R(HERMES H SMOG),DISP	2	RS21HB/N/S/23HN*BP/PE/MH/RS/IS	SA
6-5	DA63-03584A	GROMMET-BUTTON CONTROL A	HERMES,SILICON,T1.5,BLACK,DISP, 40°	2	RS21HB/N/S,RS23HN	SA
6-6	DA41-00456B	PBA DISPLAY-LED PANEL PBA	HERMES,R-DOOR,FR-4,200*67.0*11.6,Basic ,Vacation,'C,Inlay Color:Silver,12V,5V,50Hz	1	RS21HB/N/23HN*SW	SA
	DA41-00456A		HERMES-PJT,Europe,FR-4,200*67.0*11.6,Basic , Vacation, 'C,12V, 5V,50Hz	1	RS21HB/N/23HN*BP/PE/MH/RS/IS	
	DA41-00456E		HERMES,R-DOOR,FR-4,200*67.0*11.6,Basic ,Power Cool,'C,Silver Inlay,12V,5V,50Hz	1	RS21HB/N/23HN*SW	
	DA41-00456D		HERMES,R-DOOR,FR-4,200*67.0*11.6,Basic ,Power Cool,'C,Inlay Color:Black,12V,5V,50Hz	1	RS21HB/N/23HN*BP/PE/MH/RS/IS	
	DA41-00456G		HERMES-PJT,R-DOOR,FR-4,200*67.0*11.6,Basic , China, 'C, Silver Inlay,12V, 5V,50Hz	1	RS21HS*SW	
	DA41-00456F		HERMES-PJT,R-DOOR,FR-4,200*67.0*11.6,Basic , China, 'C, Black Inlay,12V, 5V,50Hz	1	RS21HS*BP/PE/MH/RS/IS	
	DA41-00456J		HERMES-PJT,R-DOOR,FR-4,200*67.0*11.6,Basic , TAIWAN, 'C, Silver Inlay,12V, 5V,50Hz	1	RS21HS*SW	
	DA41-00456H		HERMES-PJT,R-DOOR,FR-4,200*67.0*11.6,Basic , TAIWAN, 'C, Black Inlay,12V, 5V,50Hz	1	RS21HS*BP/PE/MH/RS/IS	
6-7	DA63-03574A	COVER-PBA PANEL	HERMES,PPT1.8,WHITE,BASIC	1	RS21HB/N/S,RS23HN	SA
6-8	6002-000630	SCREW-TAPPING	PH,+,-,2S,M3,L8,ZPC(YEL)	2		SA
RS21H**						
6	DA97-07728A	ASSY COVER-CONTROL FRONT FRE	HERMES09,ABS,PLATINUM SILVER(SC-05010S)	1		SA
	DA97-07728B		HERMES09,ABS,China, VACATION,VERSAILLES STS(REAL STS)	1	CHINA	
	DA97-07728C		HERMES09,ABS,China, VACATION,SNOW WHITE, GLOSSY	1	CHINA	
	DA97-07728D		HERMES09,ABS,EUROPE, VACATION,PLATINUM SILVER(SC-05010S)	1		

EXPLODED VIEW & PART LIST

Parts List of Freezer Door (RS21/23-Basic)

NO	CODE NO	PART NAME	Spec	Quantity	Remark	SA/SNA
6	DA97-07728E	ASSY COVER-CONTROL FRONT FRE	HERMES09,ABS,EUROPE, VACATION,VERSAILLES STS(REAL STS)	1		SA
	DA97-07728F		HERMES09,ABS,EUROPE, VACATION,SNOW WHITE,GLOSSY	1		
	DA97-07728G		HERMES09,ABS,EUROPE, POWER COOL,PLATINUM SILVER(SC-05010S)	1		
	DA97-07728H		HERMES09,ABS,EUROPE, POWER COOL,VERSAILLES STS(REAL STS)	1		
	DA97-07728J		HERMES09,ABS,EUROPE, POWER COOL,SNOW WHITE, GLOSSY	1		
	DA97-07728K		HM09,ABS,EUROPE,VACATION,CROWN ROYAL(SC-07025S)	1		
	DA97-07728L		HM09,ABS,EUROPE,VACATION,STS SILVER 3 (DAC-GR0807S)	1		
	DA97-07728M		HM09,ABS,EUROPE,VACATION,MANHATTAN SILVER(SC-06036S)	1		
	DA97-07728N		HM09,ABS,EUROPE,VACATION,I-BLACK(SC-00477R)	1		
	DA97-07728P		HM09,ABS,EUROPE,VACATION,VANILLA BEIGE(DAC-BR0901S)	1		
	DA97-07728Q		HM09,ABS,EUROPE,POWER COOL,CROWN ROYAL(SC-07025S)	1		
	DA97-07728R		HM09,ABS,EUROPE,POWER COOL,STS SILVER 3 (DAC-GR0807S)	1		
	DA97-07728S		HM09,ABS,EUROPE,POWER COOL,MANHATTAN SILVER(SC-06036S)	1		
	DA97-07728T		HM09,ABS,EUROPE,POWER COOL,I-BLACK(SC-00477R)	1		
	DA97-07728U		HM09,ABS,EUROPE,POWER COOL,VANILLA BEIGE(DAC-BR0901S)	1		
6-1	DA63-05072A	COVER-CONTROL FRONT FRE	HERMES09,ABS,TITAN GRAY(SC-03186R)	1		SA
	DA63-05072B		HERMES09,ABS,NOBLE GRAY(SC-02008R)	1		
	DA63-05072C		HERMES09,ABS,SNOW WHITE(SC-97527R),GLOSSY	1		
	DA63-05072D		HERMES09,ABS,EUROPE, VACATION,TITAN GRAY(SC-03186R)	1		
	DA63-05072E		HERMES09,ABS,EUROPE, VACATION,NOBLE GRAY(SC-02008R)	1		
	DA63-05072F		HERMES09,ABS,EUROPE, VACATION,SNOW WHITE(SC-97527R),GLOSSY	1		
	DA63-05072G		HERMES09,ABS,EUROPE, POWER COOL,TITAN GRAY(SC-03186R)	1		
	DA63-05072H		HERMES09,ABS,EUROPE, POWER COOL,NOBLE GRAY(SC-02008R)	1		
	DA63-05072J		HERMES09,ABS,EUROPE, POWER COOL,SNOW WHITE(SC-97527R),GLOSSY	1		
	DA63-05072K		HM09,ABS,EUROPE,VACATION,CROWN ROYAL(SC-07025S)			
	DA63-05072L		HM09,ABS,EUROPE,VACATION,STS SILVER 3 (DAC-GR0807S)			
	DA63-05072M		HM09,ABS,EUROPE,VACATION,MANHATTAN SILVER(SC-06036S)			
	DA63-05072N		HM09,ABS,EUROPE,VACATION,I-BLACK(SC-00477R)			
	DA63-05072P		HM09,ABS,EUROPE,VACATION,VANILLA BEIGE(DAC-BR0901S)			
	DA63-05072Q		HM09,ABS,EUROPE,POWER COOL,CROWN ROYAL(SC-07025S)			
	DA63-05072R		HM09,ABS,EUROPE,POWER COOL,STS SILVER 3 (DAC-GR0807S)			
	DA63-05072S		HM09,ABS,EUROPE,POWER COOL,MANHATTAN SILVER(SC-06036S)			
DA63-05072T	HM09,ABS,EUROPE,POWER COOL,I-BLACK(SC-00477R)					
DA63-05072U	HM09,ABS,EUROPE,POWER COOL,VANILLA BEIGE(DAC-BR0901S)					
6-2	DA63-05063A	COVER-CONTROL WINDOW FRE	HM09,ACRYL,NTR,HALF-MIRROR,CHIAN , LIGHT GRAY	1		SA
6-3	DA64-02983A	DECORATION-BUTTON CONTROL	HM09,ABS,NTR,PNC2	2		SA
6-4	DA63-05073A	COVER CONTROL SUB	HERMES09,ABS,NTR	1		SA
6-5	DA63-05059A	GROMMET-BUTTON	HM09,SILICON,BLACK	2		SA
6-6	DA63-05074A	COVER-PBA PANEL	HERMES09,ABS,NTR,BASIC	1		SA
6-7	DA41-00636A	PBA PANEL	"09' HERMES-PJT,F-DOOR,FR-4,200*65.0*11.6,Blue LED BASIC,	1	RS21H/23HB/N,BLUE LED	SA
	DA41-00636B		Vacation, 'C LED PANEL PBA, Inlay Color:Black,12V, 5V,50Hz,N,-,- "	1	RS21H/23HB/N,BLUE LED	
	DA41-00636C		'09 HM-PJT,F-DOOR,FR-4,200*65.0*11.6,Blue LED BASIC,Vacation, 'C LED PANEL PBA, Inlay Color:Silver,12V, 5V,50Hz,N	1	RS21H/23HB/N,BLUE LED,CHINA	
	DA41-00636D		"09 HM-PJT,F-DOOR,FR-4,200*65.0*11.6,Blue LED BASIC,	1	RS21H/23HB/N,Y/G LED	
	DA41-00636E		Power Cool, 'C LED PANEL PBA, Inlay Color:Black,12V, 5V,50Hz,N "	1	RS21H/23HB/N,Y/G LED	
	DA41-00636F		'09 HM-PJT,F-DOOR,FR-4,200*65.0*11.6,Blue LED BASIC,Power Cool, 'C LED PANEL PBA, Inlay Color:Silver,12V, 5V,50Hz,N			
	DA41-00646A		"09 HM-PJT,F-DOOR,FR-4,200*65.0*11.6,China,Blue LED BASIC,			
DA41-00646B	Vacation, 'C LED PANEL PBA, Inlay Color:Black,12V, 5V,50Hz,N "					
6-8	6003-000333	SCREW-TAPTITE	RH,+,-,2S,M3,L10,ZPC(WHT),SWRCH18A	2		SA
7	DA97-05529C	ASSY-BRACKET HANDLE	HREMES-PJT,SWCH10A	4		SA

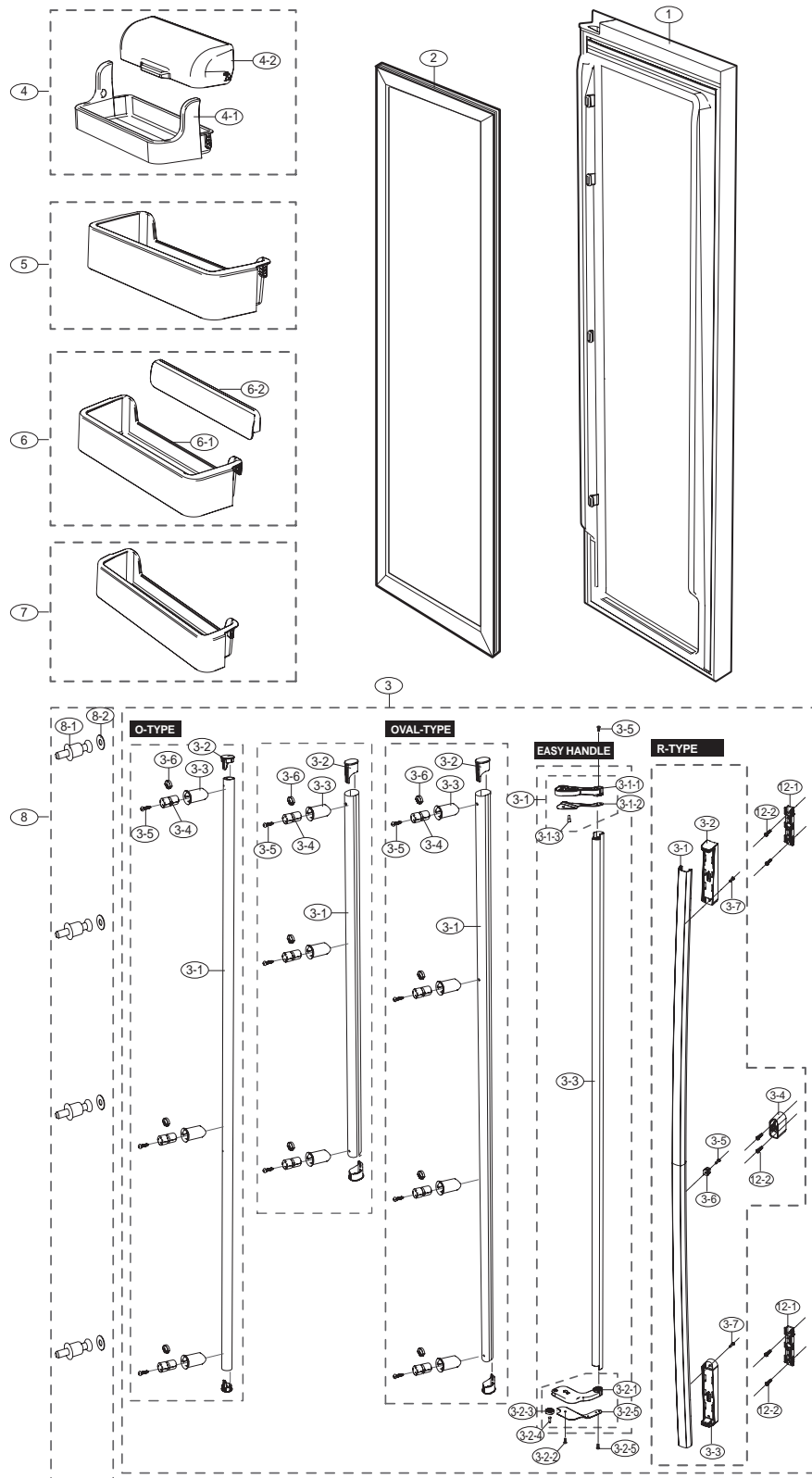
EXPLODED VIEW & PART LIST

■ Parts List of Freezer Door (RS21/23-Basic)

NO	CODE NO	PART NAME	Spec	Quantity	Remark	SA/SNA
7-1	DA61-03725B	BRACKET-HANDLE	HERMES,SWCH10A,L31	4		SA
7-2	DA63-03840A	GROMMET-HANDLE	HERMES,SILICON,T1,NTR,DISP, 40°	4		SA

EXPLODED VIEW & PART LIST

5-12) Fridge Door (RS21/23H-Basic)



EXPLODED VIEW & PART LIST

Parts List of Fridge Door (RS21/23H-Basic)

NO	CODE NO	PART NAME	Spec	Quantity	Remark	SA/SNA
1	DA91-02524A	ASSY DOOR FOAM REF	HERMES,BASIC,55mm,SW	1	RS21H	SNA
	DA91-02567A		HERMES,SW,B,T,BASIC,85mm	1	RS23H	
2	DA97-04567D	ASSY-GASKET DOOR REF	SF-PVC	1		SA
3	EASY HANDLE			1	RS21H*E**	
3-1	DA97-05174A	ASSY-CAP-HANDLE-REF-UPP	HERMES, SNOW WHITE	1	RS21H*ESW	SA
	DA97-05174B		HERMES, I-BLACK	1	RS21H*EBP	
	DA97-05174C		HERMES, TITAN GRAY	1	RS21H*EPE	
	DA97-05174D		HERMES, MANHATTAN SILVER	1	RS21H*EMH	
	DA97-05174E		HERMES, NOBLE STS	1	RS21H*ERS	
	DA97-05174G		HERMES, CROWN ROYAL	1	RS21H*EIS	
3-1-1	DA67-01682A	CAP-HANDLE-REF-UPP	JM,PC-ABS,WHITE	1	RS21H*ESW	SNA
	DA67-01682B		JM,PC-ABS,I-BLACK	2	RS21H*EBP	
	DA67-01682C		JM,PC-ABS,TITAN GRAY,PLATINUM-SILVER(SC-05010S)	1	RS21H*EPE	
	DA67-01682D		JM,PC-ABS,MANHATTAN SILVER,MANHATTAN SILVER(SC-06036S)	1	RS21H*EMH	
	DA67-01682E		JM,PC-ABS,NOBLE STS,VERSAILLES STS(SC-05061S)	1	RS21H*ERS	
	DA67-01682G		JM,PC-ABS,CROWN ROYAL(SC-07025S)	1	RS21H*EIS	
3-1-2	DA61-03405A	REINF-HANDLE-REF-UPP	SHP1,T2.0,ZPC2	1	RS21H*E**	SA
3-1-3	6006-001170	SCREW-TAPPING	TH,M4,L12,ZPC(WHT)	1		SA
3-2	DA97-05176A	ASSY-CAP-HANDLE-REF-LOW	HERMES, SNOW WHITE	1	RS21H*ESW	SA
	DA97-05176B		HERMES, I-BLACK	1	RS21H*EBP	
	DA97-05176C		HERMES, TITAN GRAY	1	RS21H*EPE	
	DA97-05176D		HERMES, MANHATTAN SILVER	1	RS21H*EMH	
	DA97-05176E		HERMES, NOBLE STS	1	RS21H*ERS	
	DA97-05176M		HERMES, STS GRAY	1	RS21H*EIS	
3-2-1	DA67-01683A	CAP-HANDLE-REF-LOW	JM,PC-ABS,WHITE	1	RS21H*ESW	SA
	DA67-01683B		JM,PC-ABS,I-BLACK	1	RS21H*EBP	
	DA67-01683C		JM,PC-ABS,TITAN GRAY,PLATINUM-SILVER(SC-05010S)	1	RS21H*EPE	
	DA67-01683D		JM,PC-ABS,MANHATTAN SILVER,MANHATTAN SILVER(SC-06036S)	1	RS21H*EMH	
	DA67-01683E		JM,PC-ABS,NOBLE STS,VERSAILLES STS(SC-05061S)	1	RS21H*ERS	
	DA67-01683M		JM,PC-ABS,STS GRAY,G31576C	1	RS21H*EIS	
3-2-2	6006-001170	SCREW TAPPING	TH,M4,L12,ZPC(WHT)	1		SA
3-2-3	DA66-00448A	ROLLER LEVER LINK,A	CULLINAN,POM,NEO-VICTORY GRAY(SC-02684R),EASY-OPEN	1	RS21H*E**	SNA
3-2-4	DA81-01304A	PIN ROLLER EASY	MSWR10,5,TRIVALEN CR Coat	1	RS21H*E**	SNA
3-2-5	DA61-03406A	REINF-HANDLE-REF-LOW	SHP1,T2.0,ZPC3-W	1	RS21H*E**	SA
3-3	DA64-02142A	HANDLE-BAR	JM,GRAY,SPRAY(VICTORY SILVER : SC-016459)	1	RS21H*EPE	SA
	DA64-02142B		JM,AL(A6063),SC-07018T(BALLENTINE BLACK)	1	RS21H*EBP	
	DA64-02142C		JM,AL(A6063),SC-05016T(SNOW WHITE)	1	RS21H*ESW	
	DA64-02691C		JM,AL,SC-06034T(INOX)	1	RS21H*EMH/RS/IS	
3-4	6002-000548	SCREW-TAPPING	TH,+,2S,M4,L25,ZPC(WHT),STS304	1	RS21H*E	SA
3-5	6001-000716	SCREW-MACHINE	TH,+,M5,L16,ZPC(WHT),MSWR10	1	RS21H*E	SA
O TYPE HANDLE				1	RS21H/23H*B**	
3	DA97-05075S	ASSY-HANDLE BAR REF	HERMES-PJT,SW(ONE TOUCH)	1	RS21H/23H*BSW	SA
	DA97-05075T		HERMES-PJT,BP(ONE TOUCH)	1	RS21H/23H*BBP	
	DA97-05075Q		HERMES-PJT,PE(ONE-TOUCH)	1	RS21H/23H*BPE	
	DA97-05075R		HERMES-PJT,MH/RS/IS(ONE-TOUCH)	1	RS21H/23H*BMH/RS/IS	
3-1	DA64-02618A	HANDLE-BAR(O TYPE HANDLE)	HERMES,AL,T1.0,-L1633,-,SC-05016T(SNOW WHITE)	1	RS21H/23H*BSW	SA
	DA64-02618F		HERMES-PJT,AL,T1.0,L1633,SC-03106T(Mature-black)	1	RS21H/23H*BBP	
	DA64-02618C		HERMES-PJT,AL,T1.0,L1633,SC-06147T(Natural Silver)	1	RS21H/23H*BPE	
	DA64-02618E		HERMES-PJT,AL,T1.0,L1633,SC-06034T(INOX)	1	RS21H/23H*BMH/RS/IS	
3-2	DA67-02024B	CAP-HANDLE SIDE	CORE,ABS,NTR,SILVER Plating	1	RS21H/23H*B	SA
	DA67-02024D		CORE,ABS,SNOW-WHITE	1	RS21H/23H*B	
3-3	DA67-01810A	CAP-SUPPORT HANDLE	HERMES, SNOW WHITE	4	RS21H/23H*BSW	SA
	DA67-01810B		HERMES, I-BLACK	4	RS21H/23H*BBP	
	DA67-02009B		HERMES, PLATINUM PEARL GRAY,DAC-GR0802	4	RS21H/23H*BPE	

EXPLODED VIEW & PART LIST

Parts List of Fridge Door (RS21/23H-Basic)

NO	CODE NO	PART NAME	Spec	Quantity	Remark	SA/SNA
3-3	DA67-02009A	CAP-SUPPORT HANDLE	HERMES, MANHATTAN PEARL GRAY,DAC-GR071	4	RS21H/23H*BMH/RS/IS	SA
3-4	DA61-03726A	SUPPORT-HANDLE	HERMES,NY66,NTR	4		SA
3-5	6009-001512	SCREW-SPECIAL	BH,+,-,M4,L16,ZPC(WHT),SWRCH18A	4		SA
3-6	DA61-03636A	STOPPER-HANDLE	CULLINAN,SK5	4		SA
OVAL TYPE				1	RS21H/23H*T**	
3	DA97-05073U	ASSY-HANDLE BAR REF	HERMES-PJT,SW(ONE-TOUCH)	1	RS21H/23H*BSW	SA
	DA97-05073X		HERMES-PJT,BP(ONE-TOUCH)	1	RS21H/23H*BBP	
	DA97-05073Y		HERMES-PJT,PE(ONE-TOUCH)	1	RS21H/23H*BPE	
	DA97-05073Z		HERMES-PJT,MH/RS/IS(ONE-TOUCH)	1	RS21H/23H*BMH/RS/IS	
3-1	DA64-02442A	HANDLE-BAR(OVAL TYPE HANDLE)	HERMES,AL,1633,SNOW-WHITE	1	RS21H/23H*BSW	SA
	DA64-02442D		HERMES,AL,1633,MATURE-BLACK	1	RS21H/23H*BBP	
	DA64-02442B		HERMES,AL1633,NATURAL-SILVER	1	RS21H/23H*BPE	
	DA64-02442C		HERMES,AL,1633,INOX	1	RS21H/23H*BMH/RS/IS	
3-2	DA67-01913A	CAP-HANDLE	HERMES,ABS,W20.8,L37.3,NEO VICTORY GRAY	1	RS21H/23H*T**	SA
	DA67-01913B		HERMES,ABS,W20.8,L37.3,SILVER	1	RS21H/23H*T**	
3-3	DA67-01810A	CAP-SUPPORT HANDLE	HERMES, SNOW WHITE	4	RS21H/23H*BSW	SA
	DA67-01810B		HERMES, I-BLACK	4	RS21H/23H*BBP	
	DA67-02009B		HERMES, PLATINUM PEARL GRAY,DAC-GR0802	4	RS21H/23H*BPE	
	DA67-02009A		HERMES, MANHATTAN PEARL GRAY,DAC-GR071	4	RS21H/23H*BMH/RS/IS	
3-4	DA61-03726A	SUPPORT-HANDLE	HERMES,NY66,NTR	4		SA
3-5	6009-001512	SCREW-SPECIAL	BH,+,-,M4,L16,ZPC(WHT),SWRCH18A	4		SA
3-6	DA61-03636A	STOPPER-HANDLE	CULLINAN,SK5	4		SA
SHORT-TYPE				1		
3	DA97-05974A	ASSY-HANDLE BAR	HERMES,ABS, L928.5, ELLIPSE,SNOW WHITE,ONE TOUCH	1	RS21H/23H*BSW	SA
	DA97-05347H		HERMES,ABS, L928.5, ELLIPSE,I-BLACK,ONE TOUCH	1	RS21H/23H*BBP	
	DA97-05974E		HERMES,ABS, L928.5, ELLIPSE,PLATINUM-SILVER,ONE TOUCH	1	RS21H/23H*BPE	
	DA97-05974F		HERMES,ABS, L928.5, ELLIPSE,MH/RS/IS,ONE-TOUCH	1	RS21H/23H*BMH/RS/IS	
3-1	DA64-02443A	HANDLE-BAR(SHORT TYPE HANDLE)	HERMES,AL,L923.5,SNOW-WHITE	1	RS21H/23H*BSW	SA
	DA64-02234B		HERMES-PJT,ABS,I-BLACK(SC-00477R)	1	RS21H/23H*BBP	
	DA64-02443C		HERMES,AL,L923.5,MATURE-BLACK	1	RS21H/23H*BPE	
	DA64-02443D		HERMES,AL,L923.5,INOX	1	RS21H/23H*BMH/RS/IS	
3-2	DA67-01913B	CAP-HANDLE	HERMES,ABS,W20.8,L37.3,SILVER	2	RS21H/23H*T**	SA
3-3	DA67-01810A	CAP-SUPPORT HANDLE	HERMES, SNOW WHITE	4	RS21H/23H*BSW	SA
	DA67-01810B		HERMES, I-BLACK	4	RS21H/23H*BBP	
	DA67-02009B		HERMES, PLATINUM PEARL GRAY,DAC-GR0802	4	RS21H/23H*BPE	
	DA67-02009A		HERMES, MANHATTAN PEARL GRAY,DAC-GR071	4	RS21H/23H*BMH/RS/IS	
3-4	DA61-03726A	SUPPORT-HANDLE	HERMES,NY66,NTR	4		SA
3-5	6009-001512	SCREW-SPECIAL	BH,+,-,M4,L16,ZPC(WHT),SWRCH18A	4		SA
3-6	DA61-03636A	STOPPER-HANDLE	CULLINAN,SK5	4		SA
R TYPE HANDLE						
3	DA97-07724F	ASSY-HANDLE BAR	HERMES09,AL,SC-06034T(INOX)	1	RS21H/23H*R HANDLE	SA
	DA97-07724B		HERMES09,AL,SC-06147T(Natural Silver)	1	RS21H/23H*R HANDLE	
	DA97-07724C		HM09,AL,SC-06034T(INOX),VERSAILLES STS(SC-05061S)	1	RS21H/23H*R HANDLE	
	DA97-07724D		HM09,AL,SC-97527S(Snow White)	1	RS21H/23H*R HANDLE	
	DA97-07724E		HM09,AL,DAC-BR0901T(Vanilla Beige)	1	RS21H/23H*R HANDLE	
3-1	DA64-03016E	HANDLE-BAR	HERMES09,AL,SC-06034T(INOX)	1	RS21H/23H*R HANDLE	SA
	DA64-03016B		HERMES09,AL,SC-06147T(Natural Silver)	1	RS21H/23H*R HANDLE	
	DA64-03016C		HM09,AL,SC-97527S(Snow White)	1	RS21H/23H*R HANDLE	
	DA64-03016D		HM09,AL,DAC-BR0901T(Vanilla Beige)	1	RS21H/23H*R HANDLE	
3-2	DA67-02361A	CAP-HANDLE UPP	HERMES09,ABS,MANHATTAN SILVER(SC-06036S)	1	RS21H/23H*R HANDLE	SA
	DA67-02361B		HERMES09,ABS,PLATINUM SILVER(SC-05010S)	1	RS21H/23H*R HANDLE	
	DA67-02361C		HERMES09,ABS,VERSAILLES STS(SC-05061S)	1	RS21H/23H*R HANDLE	
	DA67-02361D		HERMES09,ABS,SNOW WHITE,(SC-97527S)	1	RS21H/23H*R HANDLE	
	DA67-02361E		HERMES09,ABS,Vanilla Beige,(DAC-BRD901R),GLOSSY	1	RS21H/23H*R HANDLE	
3-3	DA67-02360A	CAP-HANDLE LOW	HERMES09,ABS,MANHATTAN SILVER(SC-06036S)	1	RS21H/23H*R HANDLE	SA

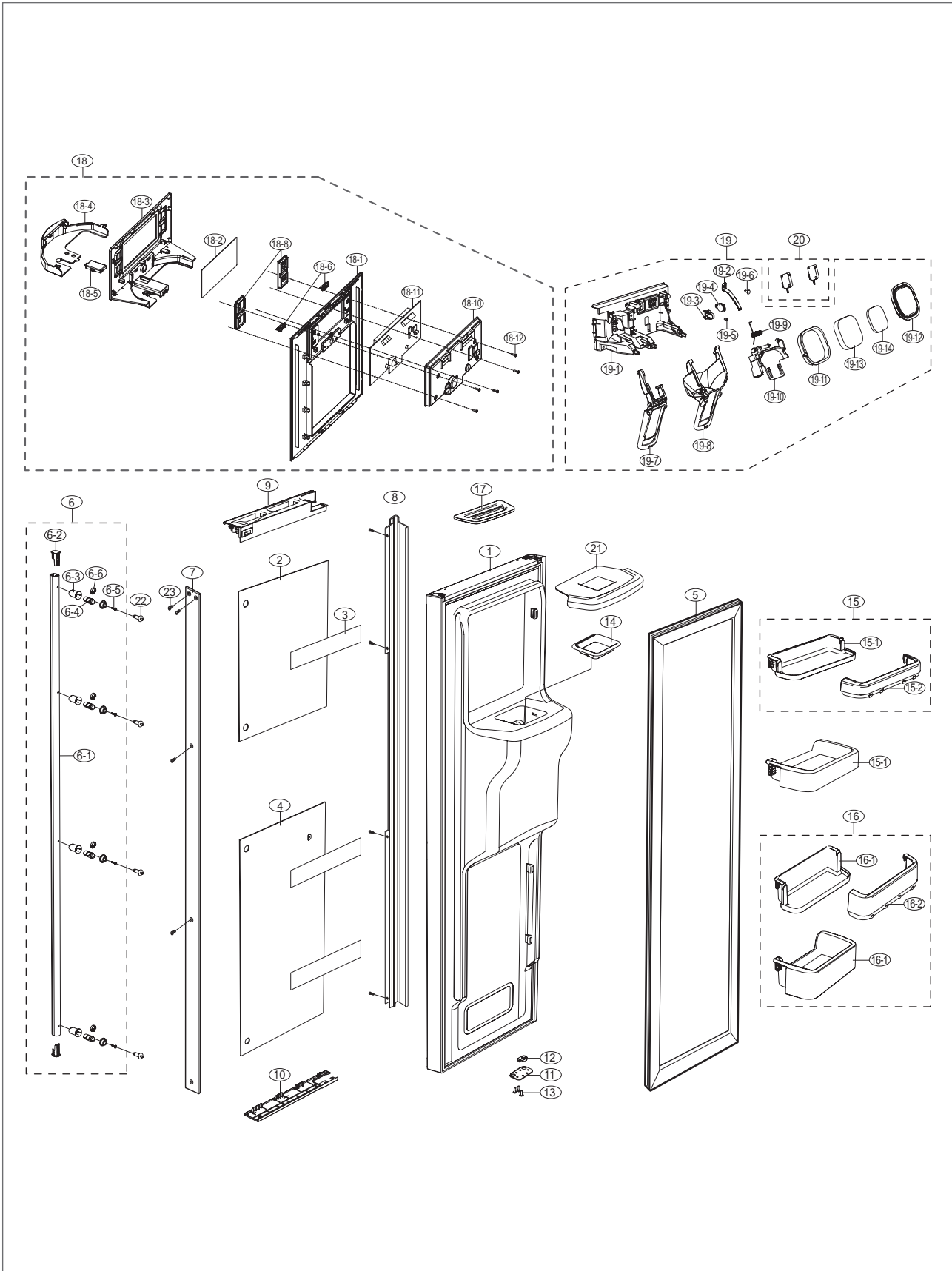
EXPLODED VIEW & PART LIST

■ Parts List of Fridge Door (RS21/23H-Basic)

NO	CODE NO	PART NAME	Spec	Quantity	Remark	SA/SNA
3-3	DA67-02360B	CAP-HANDLE LOW	HERMES09,ABS,PLATINUM SILVER(SC-05010S)	1	RS21H/23H*R HANDLE	SA
	DA67-02360C		HERMES09,ABS,VERSAILLES STS(SC-05061S)	1	RS21H/23H*R HANDLE	
	DA67-02360D		HERMES09,ABS,SNOW WHITE,(SC-97527S)	1	RS21H/23H*R HANDLE	
	DA67-02360E		HERMES09,ABS,Vanilla Beige,(DAC-BRD901R),GLOSSY	1	RS21H/23H*R HANDLE	
3-4	DA61-05338A	SUPPORT-HANDLE MID	HERMES09,ABS,MANHATTAN SILVER(SC-06036S)	1	RS21H/23H*R HANDLE	SA
	DA61-05338B		HERMES09,ABS,PLATINUM SILVER(SC-05010S)	1	RS21H/23H*R HANDLE	
	DA61-05338C		HM09,ABS,VERSAILLES STS(SC-05061S)	1	RS21H/23H*R HANDLE	
	DA61-05338D		HM09,ABS,SNOW WHITE(SC-97527R,GLOSSY	1	RS21H/23H*R HANDLE	
	DA61-05338E		HM09,ABS,Vanilla Beige(DAC-BR0901R),GLOSSY	1	RS21H/23H*R HANDLE	
3-5	6002-000215	SCREW-TAPTITE	TH,+,-,1,M4.0,L16,ZPC(WHT),SWRCH18A	1	RS21H/23H*R HANDLE	SA
3-6	DA63-00789A	GROMMET FIXER	EXP,PC-ABS,-,-,-,-,SILVER-GRAY,REAL-STAINLESS	1	RS21H/23H*R HANDLE	SA
3-7	6002-000215	SCREW-TAPTITE	TH,+,-,1,M4.0,L16,ZPC(WHT),SWRCH18A	2	RS21H/23H*R HANDLE	SA
12-1	DA61-05337A	FIXER-HANDLE	HERMES09,NY-66,NTR	2	RS21H/23H*R HANDLE	SA
12-2	6002-000613	SCREW-TAPPING	TH,+,-,2,M5,L16,ZPC(WHT),SWRCH18A	6	RS21H/23H*R HANDLE	SA
4	DA97-04963A	ASSY GUARD-DAIRY	HERMES PJT,HERMES,50mm	1	RS21HF/D/B/N	SA
4-1	DA63-03533A	GUARD-DAIRY	HERMES PJT,HIPS/HG-1760SF,T2.5,55mm	1	RS21HF/D/B/N	SA
4-2	DA63-03534A	COVER-GUARD DAIRY	GPPS,T2.5	1	RS21HF/D/B/N	SA
5	DA63-03639A	GUARD-REF TOP	HERMES PJT,PP,COOL WHITE,1 PIECE	1	RS21HF/D/B/N	SA
6	DA97-05262A	ASSY GUARD-REF MID	HERMES PJT,HERMES_1-PIECE	1	RS21HF/D/B/N	SA
6-1	DA63-03640A	GUARD REF-MID	HERMES PJT,PP,COOL WHITE,1 PIECE	1	RS21HF/D/B/N	SA
6-2	DA61-03601B	GUIDE-BOTTLE REF	HERMES,PPT,2.5,COOL-WHITE	1	RS21HF/D/B/N	SA
7	DA63-03641A	GUARD-REF LOW	HERMES PJT,PP,COOL WHITE,1-PIECE	1	RS21HF/D/B/N	SA
8	DA97-05529C	ASSY-BRACKET HANDLE	HERMES-PJT,SWCH10A	4		SA
8-1	DA61-03725B	BRACKET-HANDLE	HERMES,SWCH10A,L31	4		SA
8-2	DA63-03840A	GROMMET-HANDLE	HERMES,SILICON,T1,NTR,DISP, 40°	4		SA

EXPLODED VIEW & PART LIST

5-13) Freezer Door (RS21H-TRIMKIT)



EXPLODED VIEW & PART LIST

■ Parts List of Freezer Door (RS21H-TRIMKIT)

NO	CODE NO	PART NAME	Spec	Quantity	Remark	SA/SNA
1	DA91-02631A	ASSY-DOOR FOAM FRE	HERMES,TRIMKIT,BLACK.230V	1		SA
	DA91-02631B		HERMES,TRIMKIT,TULIP RED WINE.230V	1		
	DA91-02631C		HERMES,TRIMKIT,BLACK,127V	1		
	DA91-02631D		HERMES,TRIMKIT,ANDRE WINE,127V	1		
	DA91-02900A		HERMES09, DISP,FORE WHITE,N,CHINA,R(INVERTER)	1		
	DA91-02900B		HERMES09, BASIC,FORE WHITE,N,CHINA,R(INVERTER)	1		
	DA91-02900C		HERMES09, BASIC,ANEMONE WINE,N,CHINA,R(INVERTER)	1		
	DA91-02900D		HERMES09, DISP,P/INOX,N,CHINA,R(INVERTER)	1		
	DA91-02900E		HERMES09, BASIC,SNOW WHITE,N,CHINA,R(INVERTER)	1		
	DA91-02900F		HERMES09, BASIC,P/INOX,N,CHINA,R(INVERTER)	1		
2	DA67-01845A	GLASS DOOR FRE UPP	HERMES,GLASS,ALL BLACK	1		SA
	DA67-01845B		HERMES,GLASS,ANDRE WINE	1		
	DA67-01845C		HERMES,GLASS,BLACK MIRROR	1		
	DA67-01845D		HERMES,GLASS,TULIP BLACK	1		
	DA67-01845E		HERMES,GLASS,TITANIC BLACK	1		
	DA67-01845F		HERMES,GLASS,FORE WHITE	1		
	DA67-01845G		HERMES,GLASS,ANEMONE WINE	1		
3	DA62-00919C	SEAL CUTT FOAM PE	CULLINAN,FOAM-PE	3		SNA
4	DA67-01844A	GLASS DOOR FRE LOW	HERMES,GLASS,ALL BLACK	1		SA
	DA67-01844B		HERMES,GLASS,ANDRE WINE	1		
	DA67-01844C		HERMES,GLASS,BLACK MIRROR	1		
	DA67-01844D		HERMES,GLASS,TULIP BLACK	1		
	DA67-01844E		HERMES,GLASS,TITANIC BLACK	1		
	DA67-01844F		HERMES,GLASS,FORE WHITE	1		
	DA67-01844G		HERMES,GLASS,ANEMONE WINE	1		
5	DA97-04567C	ASSY-GASKET DOOR FRE	SF-PVC,332*1586,VICTROY GRAY	1		SA
	DA97-04567N		SF-PVC,332*1586,LUXUTY,BLACK	1		
RS21H*L**						
6	DA97-05733B	ASSY-HANDLE BAR FRE	HERMES,AL(A6063),L1654.5,CICLE,I BLACK,ONE TOUCH	1		SA
	DA97-05773A		HERMES,AL(A6063),L1654.5,CICLE,BRILLIANT GOLD,ONE TOUCH	1		
	DA97-05733F		HERMES,-,AL SILVER,-	1		
6-1	DA64-02368B	HANDLE-BAR(B TYPE HANDLE)	HERMES,AL(A6063),L1654.5,CICLE,I BLACK,ONE TOUCH	1		SA
	DA64-02368A		HERMES,AL(A6063),L1654.5,CICLE,BRILLIANT GOLD,ONE TOUCH	1		
	DA64-02617C		HERMES,AL,T1.0,-,L1628.5,-,SC-02669T(ALUMINUM SILVER)			
6-2	DA67-01452B	CAP-HANDLE	CULLINAN,ABS(MP00160),NTR,BRILLANT SILVER	2		SA
	DA67-01452A		CULLINAN,ABS(MP00160),NTR,BRILLANT GOLD	2		
	DA67-02024B		CORE,ABS,-,-,NTR,SILVER Plating	1		
	DA67-02024D		CORE,ABS,-,-,SNOW-WHITE,-	1		
6-3	DA67-01810B	CAP-SUPPORT HANDLE	HERMES,BRILLIANT SILVER	4		SA
	DA67-01810G		HERMES,BRILLIANT GOLD	4		
	DA67-02009D		HERMES-PJT,ABS,-,-,BRILLIANT PEARL SILVER	4		
6-4	DA97-03655B	ASSY SCREW TAPPING	CULLINAN,PWH,+,1,M4,L20	4		SA
6-5	6009-001512	SCREW-SPECIAL	BH,+, -,M4,L16,ZPC(WHT),SWRCH18A	4		SA
6-6	DA61-03636A	STOPPER-HANDLE	CULLINAN,SK5	4		SA
7	DA97-04705C	ASSY CHASSIS DOOR OUT FRE	CULLINAN,BALLENTINE BLACK,50mm	1		SA
	DA97-04705A		CULLINAN,BRILLIANT GOLD,50mm	1		
	DA97-06890E		HM09,ASSY, ADRE WHITE 2, LONG HANDLE	1		
	DA97-06890F		HM09,ASSY,SCARLET WINE, LONG HANDLE	1		
	DA97-06890G		HM09,ASSY,BALLENTINE BLACK(SC-00477),50MM			

■ Parts List of Freezer Door (RS21H-TRIMKIT)

NO	CODE NO	PART NAME	Spec	Quantity	Remark	SA/SNA
8	DA97-04701C	ASSY CHASSIS DOOR IN FRE	CULLINAN,BALLENTINE BLACK,50mm	1		SA
	DA97-04701A		CULLINAN,BRILLIANT GOLD,50mm	1		
	DA97-04701P		CULLINAN,AL,-,-,SC-07102T(ANDRE-WHITE_2),-	1		
	DA97-04701Q		CULLINAN,AL,-,-,DAC-RD0701T(SCARLET-WINE),-	1		
9	DA97-05670A	ASSY CHASSIS DOOR TOP FRE	CULLINAN,EMPIRE BLACK,50mm	1		SA
	DA97-05670B		CULLINAN,BRILLIANT GOLD,50mm	1		
	DA97-05670J		CULLINAN08,-,ANDRE WHITE 2	1		
	DA97-05670K		CULLINAN08,-,SCARLET WINE	1		
10	DA97-04703C	ASSY CHASSIS DOOR LOW FRE	CULLINAN,EMPIRE BLACK,50mm	1		SA
	DA97-04703A		CULLINAN,BRILLIANT GOLD,50mm	1		
	DA97-04703D		CULLINAN 08,-,-,ANDRE II WHITE,50mm	1		
10	DA97-04703E	ASSY CHASSIS DOOR LOW FRE	CULLINAN 08,-,-,SCARLET WINE,50mm	1		SA
11	DA61-00564A	STOPPER DOOR	SHP1,BLK,SRT689	1		SA
12	DA66-00344A	CAM HINGE RISER, LOW	NY66	1		SA
13	6001-000715	SCREW MACHINE	TH,M5,L16,ZPC(YEL),MSWR10	3		SA
14	DA67-01667A	CAP-CHUTE ICE	HERMES,ABS,T1.8,SC-02740R(COOL-WHITE),DISP,55mm	1		SA
15	DA97-04967B	ASSY GUARD FRE-TOP	2PIECE TYPE(GPPS+HIPS)	1		SA
15-1	DA63-03541B	GUARD-FRE TOP	HERMES,ABS,T2.5,SC-02740R(COOL-WHITE),55mm	1		SA
15-2	DA63-03542A	COVER-GUARD FRE TOP	HERMES,GPPS/HF2660S,T3.0,TRANSPARENCY,55mm	1		SA
16	DA97-04968B	ASSY GUARD FRE-LOW	2PIECE TYPE(GPPS+HIPS)	2		SA
16-1	DA63-03554B	GUARD FRE-LOW	HERMES,ABS,T2.5,SC-02740R(COOL-WHITE),55mm	2		SA
	DA63-03643A		HERMES,PP,COOL WHITE,1PIECE	2		SA
16-2	DA63-03553A	COVER-GUARD FRE LOW	HERMES,GPPS/HF2660S,T3.0,TRANSPARENCY,55mm	2		SA
17	DA63-03580B	TRAY DISPENSER	HERMES,ABS,T2.5,SC-00477R(I-BLACK),DISP	1		SA
	DA63-03580J		HERMES,ABS,T2.5,SC-06152R(TULIP RED WINE),DISP	1		
	DA63-03580Q		HM09,ABS,ANDRE WHITE 2	1		
	DA63-03580R		HM09,ABS,EVE FLOWER WINE	1		
	DA63-03580A		HERMES,ABS,T2.5,SC-97527R(SNOW-WHITE),DISP	1	RSH**SW	
	DA63-03580C		HERMES,ABS,T2.5,SC-05010S(PLATINUM-SILVER),DISP	1	RSH**PE	
	DA63-03580D		HERMES,ABS,T2.5,SC-06036S(MANHATTAN SILVER),DISP	1	RSH**MH	
	DA63-03580E		HERMES,ABS,T2.5,SC-05061S(VERSAILLES STS),DISP	1	RSH**RS/PN	
	DA63-03580G		HERMES,ABS,T2.5,SC-07025S(CROWN ROYAL),DISP	1	RSH**IS	
DA63-03580S	HM09,ABS,VANILLA BEIGE	1	RS21H**VB			
OPTION						
18	DA97-05665A	ASSY-COVER DISPENSER	HERMES,EMPIRE BLACK,VACATION,BULE LED,K/J OPTION	1		SA
	DA97-05665B		HERMES,ANDRE WINE2,VACATION,BULE LED,K/J OPTION	1		
	DA97-05665C		HERMES,EMPIRE BLACK,VACATION,BULE LED,F/D OPTION	1		
	DA97-05665D		HERMES,ANDRE WINE2,VACATION,BULE LED,F/D OPTION	1		
	DA97-05665E		HERMES,EMPIRE BLACK,POWRE COOL,BULE LED,K/J OPTION	1		
	DA97-05665F		HERMES,ANDRE WINE2,POWRE COOL,BULE LED,K/J OPTION	1		
	DA97-05665G		HERMES,EMPIRE BLACK,POWRE COOL,BULE LED,F/D OPTION	1		
	DA97-05665H		HERMES,ANDRE WINE2,POWRE COOL,BULE LED,F/D OPTION	1		
	DA97-05665S		HREMES-PJT,ANDRE WINE2,POWER COOL,BLUE LED,K/J OPTION,Taiwan	1		
18-1	DA63-03875A	COVER-DISPENSER	HERMES,ABS,T2.0,EMPIRE BLACK(SC-04119S),DISP	1		SA
	DA63-03875B		HERMES,ABS,T2.0,ANDRE WINE2(SC-06134S)	1		
18-2	DA63-03573B	COVER-CONTROL WINDOW FRE	HERMES,ACRYL,T2.0,SC-06151R(SMOG),VACATION,K/J OPTION	1		SA
	DA63-03573D		HERMES,ACRYL,T2.0,SC-06151R(SMOG),VACATION,F/D OPTION	1		
	DA63-03573G		HERMES,ACRYL,T2.0,SC-06151R(SMOG),POWER COOL,K/J OPTION	1		
	DA63-03573J		HERMES,ACRYL,T2.0,SC-06151R(SMOG),POWER COOL,F/D OPTION	1		
	DA63-03573L		HERMES,ACRYL,T2.0,SC-06151R(SMOG),VACATION,K/J OPTION,CHINA	1		
	DA63-03573W		HERMES,ACRYL,T2.0,SC-06151R(SMOG),POWER COOL,K/J OPTION,Taiwan	1		

EXPLODED VIEW & PART LIST

Parts List of Fridge

NO	CODE NO	PART NAME	Spec	Quantity	Remark	SA/SNA
18-3	DA67-01012A	CAP-LAMP PCB	AD,ABS,T1.8,SC-97527R	1		SNA
	DA67-01012G		AD,ABS,T1.8,NTR	1		
18-4	DA41-00217B	ASSY-LAMP,PBA(NEXT)	E-PEL,DOOR FRE,FR-1,31*17,DISPENSER LAMP,12V,60HZ	1		SNA
18-5	DA63-02101A	GASKET-LAMP,PCB	D,SILICON,T0.5,NTR,-,DISP, LED 1EA	1		SNA
18-6	DA64-02127B	BUTTON-CONTROL A	HERMES,ABS,SC-07010R(HERMES H SMOG),DISP	2		SA
18-7	DA64-02128B	BUTTON-CONTROL B	HERMES,ABS,SC-07010R(HERMES H SMOG),DISP	3		SA
18-8	DA63-03584A	GROMMET-BUTTON CONTROL A	HERMES,SILICON,T1.5,BLACK,DISP, 40°	2		SA
18-9	DA63-03585A	GROMMET-BUTTON CONTROL B	HERMES,SILICON,T1.5,BLACK,DISP, 40°	1		SA
18-10	DA63-03576B	COVER-PBA PANEL	HERMES,PPT1.8,NTR,DISP	1		SA
18-11	DA41-00455C	PBA DISPLAY-LED PANEL PBA	HERMES-PJT,R-DOOR,FR-4,200*88.0*11.6,Dispenser+CoolZone, Vacation, °C, Inlay Color: Silver,12V, 5V,50Hz	1		SA
	DA41-00455A		HERMES-PJT,Europe,FR-4,200*86.0*11.6,Dispenser,C_room, Vacation, °C,12V, 5V,50Hz	1		
	DA41-00455D		HERMES-PJT,R-DOOR,FR-4,200*88.0*11.6,Dispenser,Vacation, °C, Inlay Color: Silver,12V, 5V,50Hz	1		
	DA41-00455B		HERMES-PJT,Europe,FR-4,200*86.0*11.6,Dispenser, Vacation, °C,12V, 5V,50Hz	1		
	DA41-00501K		HERMES-PJT,F-DOOR,FR-4,200*88.0*11.6,Dispenser+CoolZone, °C, Inlay Color:Black,12V, 5V,Taiwan	1		
18-12	6002-000630	SCREW-TAPPING	PH,+,2S,M3,L8,ZPC(WHT),SWRCH18A	2		SA
	6002-000630		PH,+,2S,M3,L8,ZPC(WHT),SWRCH18A	3		
RS21H**						
18	DA97-07769A	ASSY-COVER DISPENSER	HM09,ANDRE WHITE 2,CHIAN,BLUE LED	1		SA
	DA97-07769B		HM09,SCARLET WHITE,CHIAN,BLUE LED	1		
	DA97-07769C		HM09-K,J,EUROPE(VACATION),ANDRE WHITE 2,BLUE LED	1		
	DA97-07769D		HM09-KJ,EUROPE(VACATION),SCARLET WINE,BLUE LED	1		
	DA97-07769E		HM09-K,J,EUROPE(VACATION),EMPIRE BLACK,BLUE LED	1		
	DA97-07769F		HM09-K,J,EUROPE(VACATION),VERDAILLES STS,BLUE LED	1		
	DA97-07769G		HM09-K,J,EUROPE(POWER COOL),ANDRE WHITE 2,BLUE LED	1		
	DA97-07769H		HM09-K,J,EUROPE(POWER COOL),SCARLET WINE,BLUE LED	1		
	DA97-07769J		HM09-K,J,EUROPE(POWER COOL),EMPIRE BLACK,BLUE LED	1		
	DA97-07769K		HM09-K,J,EUROPE(POWER COOL),WERSAILLES STS,BLUE LED	1		
	DA97-07769L		HM09-F,D,EUROPE(VACATION),ANDRE WHITE 2,BLUE LED	1		
	DA97-07769M		HM09-F,D,EUROPE(VACATION),SCARLET WINE,BLUE LED	1		
	DA97-07769N		HM09-F,D,EUROPE(VACATION),EMPIRE BLACK,BLUE LED	1		
	DA97-07769P		HM09-F,D,EUROPE(VACATION),VERSAILLES STS,BLUE LED	1		
	DA97-07769Q		HM09-F,D,EUROPE(POWER COOL),ANDRE WHITE 2,BLUE LED	1		
	DA97-07769R		HM09-F,D,EUROPE(POWER COOL),SCARLET WINE,BLUE LED	1		
	DA97-07769S		HM09-F,D,EUROPE(POWER COOL),EMPIRE BLACK,BLUE LED	1		
DA97-07769T	HM09-F,D,EUROPE(POWER COOL),VERSAILLES STS,BLUE LED	1				
18-1	DA63-05055A	COVER-DISPENSER	HM09-TK,ABS,ANDRE WHITE	1		SA
	DA63-05055B		HM09-TK,ABS,SCARLET WINE	1		
	DA63-05055C		HM09,ABS,EMPIRE BLACK(SC-04119S),(HG-0760H)	1		
	DA63-05055D		HM09,ABS,VERSAILLES STS(SC-05061S)	1		
18-2	DA63-05063B	COVER-CONTROL WINDOW FRE	HM09,ACRYL,NTR,HALF-MIRROR,CHIAN , LIGHT GRAY	1		
18-3	DA63-05056A	COVER-CONTROL DISPENSER	HM09-TK,ABS,ANDRE WHITE	1		SNA
	DA63-05056B		HM09-TK,ABS,SCARLET WINE	1		
	DA63-05056C		HM09,ABS,EUROPE,ANDRE WHITE(SC-07102S), VACATION	1		
	DA63-05056D		HM09,ABS,EUROPE,SCARLET WINE(DAC-RO0716S), VACATION	1		
	DA63-05056E		HM09,ABS,EUROPE,EMPIRE BLACK,VACATION	1		
	DA63-05056F		HM09,ABS,EUROPE,VERSAILLES STS,VACATION	1		
	DA63-05056G		HM09,ABS,EUROPE,ANDRE WHITE,POWER COOL	1		
	DA63-05056H		HM09,ABS,EUROPE,SCARLET WINE,POWER COOL	1		
DA63-05056J	HM09,ABS,EUROPE,EMPIRE BLACK,POWER COOL	1				
DA63-05056K	HM09,ABS,EUROPE,VERSAILLES STS,POWER COOL	1				
18-4	DA64-02982A	BUTTON-DISPENSER	HM09,ABS,TITAN GRAY(SC-03186R),TRUE SILVER(DAC-GR0813S)	1		SNA
	DA64-02982B		HM09,ABS,TITAN GRAY(SC-03186R),TRUE SILVER(DAC-GR0813S),EUROPE	1		
	DA64-02982C		HM09,ABS,NOBLE GRAY,VERSAILLES STS	1		
18-5	DA97-02847B	ASSY-LAMP DOOR	AW-PJT	1		SNA

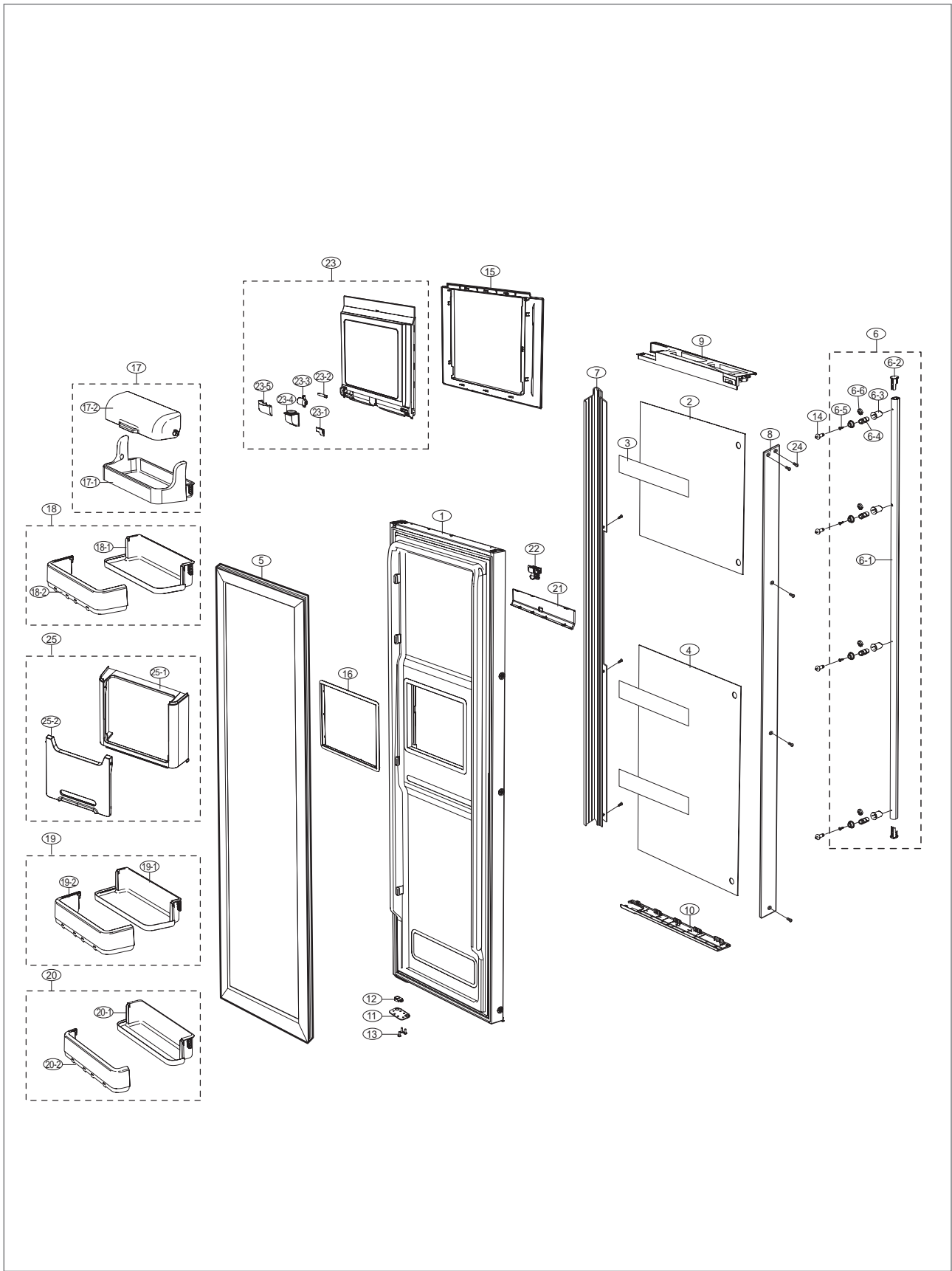
EXPLODED VIEW & PART LIST

Parts List of Fridge

NO	CODE NO	PART NAME	Spec	Quantity	Remark	SA/SNA
18-6	DA64-02983A	DECORATION-BUTTON CONTROL	HM09,ABS,NTR,PNC2	2		SA
18-8	DA63-05059A	GROMMET-BUTTON	HM09,SILICON,BLACK	3		SA
18-10	DA63-05058A	COVER-PBA PANEL DISPENSER	HM09,ABS,NTR	1		SA
18-11	DA41-00637A	PBA DISPLAY-LED PANEL PBA	HM09,Blue LED, DISPENSER+CoolSelectZone,Vacation, 'C LED PANEL,PBA, Inlay Color:Blu	1		SA
	DA41-00637B		HM09,BLUE LED, Dispenser+CoolSelect Zone,Vacation,'C, Inlay Color:Silver,12V,	1		
	DA41-00637C		HM09,BLUE LED, Dispenser+CoolSelect Zone, PowerCool, 'C, Inlay Color:Black,12V	1		
	DA41-00637D		HM09,BLUE LED, Dispenser+CoolSelect Zone,Power Cool,'C, Inlay Color:Silver,12V	1		
	DA41-00637E		HM09,BLUE LED, Dispenser,Vacation,'C, Inlay Color:Black,12V,5V,50 Hz,N	1		
	DA41-00637F		HM09,BLUE LED, Dispenser,Vacation,'C, Inlay Color:Silver,12V,5V,50 Hz,N	1		
	DA41-00637G		HM09,BLUE LED, Dispenser,PowerCool,'C, Inlay Color:Black,12V,5V,50 Hz,N	1		
	DA41-00637H		HM09,BLUE LED, Dispenser,Power Cool,'C, Inlay Color:Silver,12V,5V,50 Hz,N	1		
	DA41-00637J		HM09,China,BLUE LED, Dispenser+CoolSelect Zone,Vacation,'C, Inlay Color:Black,	1		
	DA41-00645A		HM09,Y/G LED,,DISPENSER+CoolSelectZone,Vacation, 'C, Inlay Color:Black,12V	1		
	DA41-00645B		HM09,Y/G LED,,DISPENSER COOLZONE,PowerCool, 'C, Inlay Color:Black,12V,5V,50Hz,	1		
DA41-00645C	HM09,Y/G LED,,DISPENSER,Vacation, 'C, Inlay Color:Black,12V,5V,50Hz,N	1				
DA41-00645D	HM09,Y/G LED,,DISPENSER,PowerCool, 'C, Inlay Color:Black,12V,5V,50Hz,N	1				
18-12	6003-000333	SCREW-TAPTITE	RH,+,-,2S,M3,L10,ZPC(WHT),SWRCH18A,-	5		SA
19	DA97-02050L	ASSY-COVER PCB PANEL REAR	A-TOP 06,EXP,I-BLACK	1		SA
	DA97-04950Z		HERMES,ASSY,SAN(LEVER),TRP,One Piece	1		
	DA97-07774A		HM09,ASSY,SAN(LEVER),TRP,One Piece	1		
19-1	DA63-03259A	COVER-PCB PANEL, REAR	A-TOP 06,ABS(HG-0760H),EXP,I-BLACK	1		SA
	DA63-03259C		A-TOP 06,ABS(HG-0760H),-,-,-,-,EXP,NATURAL,-	1		
19-2	DA61-01616A	SPPING-LEVER DISP WATER	SK5,T0.5	2		SA
19-3	DA61-01868A	BRACKET-OIL DAMPER	ABS,SC-93437	4		SA
	DA61-01868B		ABS,AD,-,-,-,NTR,-	4		
19-4	DA61-01869A	DAMPER-OIL	POM,120g/Cm,OD15	4		SA
19-5	6002-000630	SCREW-TAPPING	PH,+,-,2S,M3,L8,ZPC(WHT),SWRCH18A,-	1		SA
19-6	6002-000473	SCREW-TAPPING	TH,+,-,NO,1,M4,L14,PASS,STS304	1		SA
19-7	DA66-00454A	LEVER DISPENSER- WATER	HERMES,SAN,T3.0,62,168.6,-,TRP,One Piece	1		SNA
	DA66-00685A		HM09,SAN,NTR	1		
19-8	DA66-00453A	LEVER DISPENSER-ICE	HERMES,SAN,T3.0,106.5,164.1,-,TRP,One Piece	1		SNA
	DA66-00684A		HM09,SAN,NTR	1		
19-9	DA61-01651A	SPRING-COVER ICE ROUTE	AD,STS304,1.0,6.6	4		SNA
19-10	DA63-01970A	COVER-ICE ROUTE A	AD,ABS,T2.5,BLACK	1		SNA
19-11	DA63-01971A	COVER-ICE ROUTE B	AD,ABS,T1.8,BLACK	1		SNA
	DA63-01971B		AD,ABS,T1.8,NATURAL	1		
19-12	DA63-03375A	GASKET-COVER ICE ROUTE	AD,SILICON,T1.5,-,-,BLACK,-,-	1		SNA
19-13	DA62-00058E	SEAL-COVER ICE,ROUTE	AD,FOAM-LEX,WHITE,T12,64,64,-	1		SNA
19-14	DA62-00058F	SEAL-COVER ICE,ROUTE	AD,FOAM-LEX,WHITE,T5,54.5,54.5,-	1		SNA
20	DA34-00011A	SWITCH-MICRO	250V,-,15A,-,-,-,-,Max 200g,-,Max15mΩ,-,-,-	1		SA
21	DA63-03729B	GUARD-FRE SUB	HERMES,PP,-,-,-,COOL-WHITE	1		SA
	DA63-03729D		HERMES,PP,-,-,-,COOL-WHITE,CHINESE LABEL(XSC)	1		
22	DA61-03634A	BRACKET-HANDLE	CULLINAN,SWCH10A,-,-,L43.3,-,-	4		SA
	DA61-03634B		CULLINAN,SWCH10A,-,-,L43.3,-,-	4		
23	6002-000630	SCREW-TAPPING	PH,+,-,2S,M3,L8,ZPC(WHT),SWRCH18A	18		SA

EXPLODED VIEW & PART LIST

5-14) Fridge Door (RS21H TRIMKIT)



EXPLODED VIEW & PART LIST

Parts List of Fridge Door (RS21H TRIMKIT)

NO	CODE NO	PART NAME	Spec	Quantity	Remark	SA/SNA
1	DA91-02630A	ASSY-DOOR FOAM REF	HERMES,TRIMKIT,BLACK,230V	1		SA
	DA91-02630B		HERMES,TRIMKIT,TULIP RED WINE,230V	1		
	DA91-02630C		HERMES,TRIMKIT,BLACK,127V	1		
	DA91-02630D		HERMES,TRIMKIT,TULIP RED WINE,127V	1		
	DA91-02899A		HERMES09, HOME BAR,FORE WHITE,N,CHINA,R(INVERTER)	1		
	DA91-02899B		HERMES09, HOME BAR,ANEMONE WINE,N,CHINA,R(INVERTER)	1		
	DA91-02899C		HERMES09, HOME BAR,NOBLE GRAY,N,CHINA,R(INVERTER)	1		
	DA91-02899D		HERMES09, HOME BAR,SNOW WHITE,N,CHINA,R(INVERTER)	1		
	DA91-02899E		HERMES09, BASIC,SNOW WHITE,N,CHINA,R(INVERTER)	1		
	DA91-02899F		HERMES09, BASIC,P/INOX,N,CHINA,R(INVERTER)	1		
2	DA97-01846A	GLASS DOOR REF UPP	HERMES,GLASS,ALL BLACK	1		SA
	DA67-01846B		HERMES,GLASS,ANDRE WINE	1		
	DA67-01846C		HERMES,GLASS,BLACK MIRROR	1		
	DA67-01846D		HERMES,GLASS,TULIP BLACK	1		
	DA67-01846E		HERMES,GLASS,TITANIC BLACK	1		
	DA67-01846F		HERMES,GLASS,FORE WHITE	1		
	DA67-01846G		HERMES,GLASS,ANEMONE WINE	1		
	DA67-01846H		HERMES,GLASS,ALUBLACK+LOGO	1		
	DA67-01846HJ		HERMES,GLASS,BLACK MIRROR+LOGO	1		
	DA67-01846HK		HERMES09,GLASS,BLACK+LOGO	1		
3	DA62-00919B	SEAL CUTT FOAM PE	CULLINAN,FOAM-PE	3		SNA
4	DA67-01847A	GLASS DOOR REF LOW	HERMES,GLASS,ALL BLACK	1		SA
	DA67-01847B		HERMES,GLASS,ANDRE WINE	1		
	DA67-01847C		HERMES,GLASS,BLACK MIRROR	1		
	DA67-01847D		HERMES,GLASS,TULIP BLACK	1		
	DA67-01847E		HERMES,GLASS,TITANIC BLACK	1		
	DA67-01847F		HERMES,GLASS,FORE WHITE	1		
	DA67-01847G		HERMES,GLASS,ANEMONE WINE	1		
5	DA97-04567D	ASSY-GASKET DOOR REF	SF-PVC,469*1586,SEMI GRAY	1		SA
	DA97-04567P		SF-PVC,469*1586,BLACK	1		
CICLE TYPE HANDLE						
6	DA97-05733B	ASSY-HANDLE BAR REF	HERMES,AL(A6063),L1654.5,CICLE,I BLACK,ONE TOUCH	1		SA
	DA97-05773A		HERMES,AL(A6063),L1654.5,CICLE,BRILLIANT GOLD,ONE TOUCH	1		
	DA97-05733F		HERMES,-,AL SILVER,-	1		
6-1	DA64-02368B	HANDLE-BAR(B TYPE HANDLE)	HERMES,AL(A6063),L1654.5,CICLE,I BLACK,ONE TOUCH	1		SA
	DA64-02368A		HERMES,AL(A6063),L1654.5,CICLE,BRILLIANT GOLD,ONE TOUCH	1		
	DA64-02617C		HERMES,AL,T1.0,-,L1628.5,-,SC-02669T(ALUMINUM SILVER),-			
6-2	DA67-01452B	CAP-HANDLE	CULLINAN,ABS(MP00160),NTR,BRILLANT SILVER	2		SA
	DA67-01452A		CULLINAN,ABS(MP00160),NTR,BRILLANT GOLD	2		
	DA67-02024B		CORE,ABS,-,-,NTR,SILVER Plating	1		
	DA67-02024D		CORE,ABS,-,-,SNOW-WHITE,-	1		
6-3	DA67-01810B	CAP-SUPPORT HANDLE	HERMES,BRILLIANT SILVER	4		SA
	DA67-01810G		HERMES,BRILLIANT GOLD	4		
	DA67-02009D		HERMES-PJT,ABS,-,-,BRILLIANT PEARL SILVER	4		
6-4	DA97-03655B	ASSY SCREW TAPPING	CULLINAN,PWH,+,1,M4,L20	4		SA
6-5	6009-001512	SCREW-SPECIAL	BH,+,-,M4,L16,ZPC(WHT),SWRCH18A	4		SA
6-6	DA61-03636A	STOPPER-HANDLE	CULLINAN,SK5	4		SA

EXPLODED VIEW & PART LIST

■ Parts List of Fridge Door (RS21H TRIMKIT)

NO	CODE NO	PART NAME	Spec	Quantity	Remark	SA/SNA
7	DA97-04706C	ASSY CHASSIS DOOR OUT REF	CULLINAN,BALLENTINE BLACK,50mm	1		SA
	DA97-04706A		CULLINAN,BRILLIANT GOLD,50mm	1		
	DA97-06893F		HM09,ASSY,ANDRE WHITE2(SC-07102T),50mm	1		
	DA97-06893G		HM09,ASSY,SCARLET WINE(DAC-RD0701T),50mm	1		
	DA97-06893H		HM09,ASSY,BALLENTINE BLACK(SC-00477),50mm	1		
8	DA97-04702C	ASSY CHASSIS DOOR IN REF	CULLINAN,BALLENTINE BLACK,50mm	1		SA
	DA97-04702A		CULLINAN,BRILLIANT GOLD,50mm	1		
	DA97-04702P		CULLINAN,AL,-,-,SC-07102T(ANDRE-WHITE_2)	1		
	DA97-04702Q		CULLINAN,AL,-,-,DAC-RD0701T(SCARLET-WINE	1		
9	DA97-05671A	ASSY CHASSIS DOOR TOP REF	CULLINAN,EMPIRE BLACK,50mm	1		SA
	DA97-05671B		CULLINAN,BRILLIANT GOLD,50mm	1		
	DA97-05671J		CULLINAN08,-,ANDRE WHITE 2	1		
	DA97-05671K		CULLINAN08,-,SCARLET WINE	1		
10	DA97-04704C	ASSY CHASSIS DOOR LOW REF	CULLINAN,EMPIRE BLACK,50mm	1		SA
	DA97-04704A		CULLINAN,BRILLIANT GOLD,50mm	1		
	DA97-04704G		CULLINAN 08,-,-,-,ANDRE II WHITE,50mm	1		
10	DA97-04704E	ASSY CHASSIS DOOR LOW REF	CULLINAN 08,-,-,-,SCARLET WINE,50mm	1		SA
11	DA61-00564A	STOPPER DOOR	SHP1,BLK,SRT689	1		SA
12	DA66-00344A	CAM HINGE RISER, LOW	NY66	1		SA
13	6001-000715	SCREW MACHINE	TH,M5,L16,ZPC(YEL),MSWR10	4		SA
14	DA61-03634A	BRACKET-HANDLE	CULLINAN,SWCH10A,-,-,L43.3,-,-	4		SA
	DA61-01868B		ABS,AD,-,-,-,NTR,-	4		
15	DA63-03732H	COVER BRACKET FRAME	HERMES,ABS,EMPIRE BLACK(SC-04119S)	1		SA
	DA63-03732A		HERMES,ABS,ANDRE WINE2(SC-06134S)	1		
	DA63-03732L		HM09,ABS,ANDRE WHITE 2(SC-07102R),ANDRE WHITE 2(SC-07102S)	1		
	DA63-03732M		HM09,ABS,EVE FLOWER WINE(SC-07078R),SCARLET WINE(DAC-RD0716S)	1		
	DA63-03732J		HERMES-T/K,VERSAILLES STS(SC-05061S)	1		
16	DA64-02136A	TRIM-CASE BRACKET OUT	PP,310.8,COOL-WHITE,HM-DOOR	1		SA
17	DA97-04963A	ASSY GUARD-DAIRY	HERMES,55mm	1		SA
17-1	DA63-03533A	GUARD-DAIRY	HERMES,HIPS/HG-1760SF,T2.5,55mm	1		SA
17-2	DA63-03534A	COVER-GUARD DAIRY	HERMES,GPPS/HF2660S,T3.0,TRANSPARENCY,55mm	1		SA
18	DA97-04964B	ASSY GUARD-REF TOP	HERMES,55mm	1		SA
18-1	DA63-03536B	GUARD-REF TOP	HERMES,ABS,T2.5,COOL WHITE(SC02740R),55mm	1		SA
18-2	DA63-03537A	COVER-GUARD REF TOP	HERMES,GPPS/HF2660S,T3.0,TRANSPARENCY,55mm	1		SA
19	DA97-04965C	ASSY-GUARD REF MID	HERMES,55mm	1		SA
19-1	DA63-03538B	GUARD REF MID	HERMES,ABS,T2.5,COOL WHITE(SC02740R),55mm	1		SA
19-2	DA63-03537A	COVER-GUARD REF TOP	HERMES,GPPS/HF2660S,T3.0,TRANSPARENCY,55mm	1		SA
20	DA97-04966B	ASSY GUARD-REF LOW	HERMES,55mm	1		SA
20-1	DA63-03540B	GUARD-REF LOW	HERMES,ABS,T2.5,COOL WHITE(SC02740R),55mm	1		SA
20-2	DA63-03539A	COVER-GUARD REF LOW	HERMES,GPPS/HF2660S,T3.0,TRANSPARENCY,55mm	1		SA
21	DA64-02343A	TRIM-CASE BRACKET FRONT	HERMES,TRIMKI,NEO VICTORY GRAY	1		SA
	DA64-02343C		HM09,ABS,T2.5,COOL WHITE	1		
22	DA97-05083B	ASSY-LATCH	HERMES,POM,BLACK	1		SA
	DA97-07117B		HAEMIL	1		
23	DA97-05705A	ASSY-HOME BAR FOAM	HERMES,ABS,EMPIRE BLACK(SC-04119S)	1		SA
	DA97-05705B		HERMES,ABS,ANDRE WINE2(SC-06134S)	1		
	DA97-05705E		HM09,ANDRE WHITE 2	1		
	DA97-05705F		HM09,SCARLET WINE	1		
	DA97-05705G		HM09,EMPIRE BLACK	1		
	DA97-05705H		HM09,VERSAILLES STS	1		
23-1	DA63-03820F	COVER HOMEBAR LF	HERMES,TRIMKIT,NEO VICTORY GRAY	1		SA
23-2	DA66-00205A	SHAFT-DMAPER HOMEBAR	STS304,48.4	1		SA
	DA66-00205C		CULLINAN,STS304,45.6,-,-,-,FORGING	1		
23-3	DA97-03956C	ASSY-DAMPER HOMEBAR	CULLINAN	1		SA
	DA97-03956D		HERMES,-,EXPORT,-,10TORQUE	1		

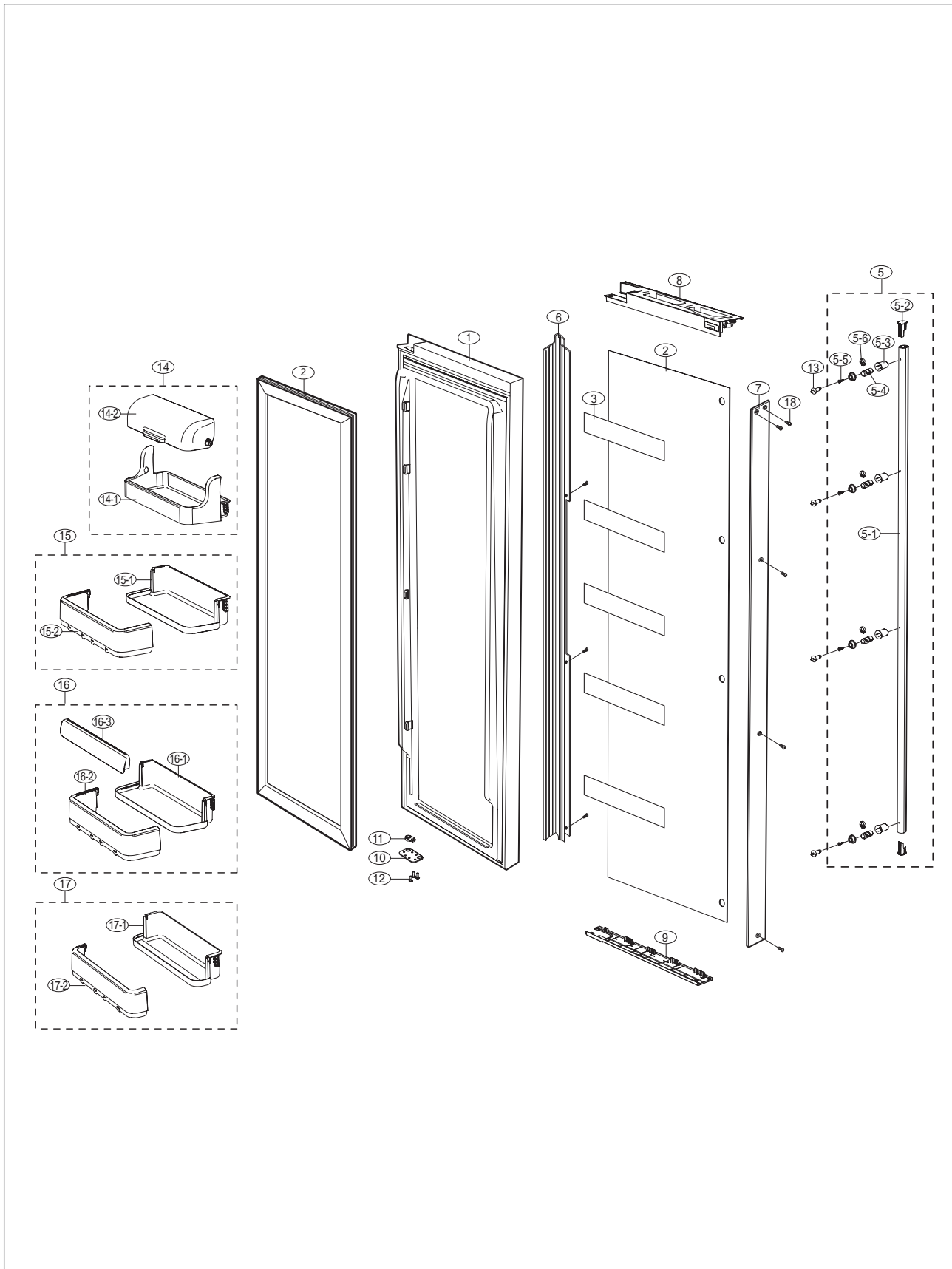
EXPLODED VIEW & PART LIST

■ Parts List of Fridge Door (RS21H TRIMKIT)

NO	CODE NO	PART NAME	Spec	Quantity	Remark	SA/SNA
23-4	DA67-01842A	CAP HOMEBAR LOW	HERMES,TRIMKIT,BLACK	1		SA
23-5	DA67-01841A	CAP-OIL DAMPER	HERMES,TRIMKIT,BLACK	1		SA
24	6002-001122	SCREW-TAPPING	FH,M4*L14,ZPC(WHITE)	20		SA
25	DA97-05851A	ASSY COVER-DOOR	HERMES,ASSY	1		SA
	DA97-07745A	RECESS	HERMES,ASSY,55mm	1		
25-1	DA61-03883A	CASE-DOOR RECESS	HERMES,ABS,T2.5,415.9,377.1,COOL WHITE(SC-02740R),55mm	1		SA
	DA61-05351A		HERMES09,ABS,COOL WHITE(SC-02740R),55mm,1-piece	1		
25-2	DA63-03937A	COVER-DOOR RECESS	GPPS,T2.5,329.2,317.6,-,-,Transparency	1		SA

EXPLODED VIEW & PART LIST

5-15) Fridge Door (RS21H TRIMKIT-Basic)



EXPLODED VIEW & PART LIST

Parts List of Fridge Door (RS21H TRIMKIT-Basic)

NO	CODE NO	PART NAME	Spec	Quantity	Remark	SA/SNA
1	DA91-02630A	ASSY-DOOR FOAM FRE	HERMES,TRIMKIT,ALL	1		SA
	DA91-02630B		HERMES Trim-Kit,BG,MR,AW,-,-,L TYPE, H/B,50mm,D POWER			
	DA91-02630C		HERMES Trim-Kit,NEO VICTORY GRAY,-,-,L TYPE, H/B,50mm, 220-240V, ITALY			
	DA91-02630D		HERMES Trim-Kit,BLACK GLASS,MR,-,-,L TYPE, H/B,50mm,D POWER			
	DA91-02630E		HERMES Trim-Kit,SNOW WHITE,-,-,T TYPE, H/B,50mm			
2	DA97-01855A	GLASS DOOR REF	HERMES,GLASS,ALL BLACK	1		SA
	DA67-01855B		HERMES,GLASS,ANDRE WINE	1		
	DA67-01855C		HERMES,GLASS,BLACK MIRROR	1		
	DA67-01855E		HERMES,GLASS,ANEMONE WINE	1		
	DA67-01855D		HERMES09,GLASS,FORET WHITE	1		
	DA67-01855F		HERMES,GLASS,ALUBLACK+LOGO	1		
	DA67-01855G		HERMES,GLASS,BLACK MIRROR+LOGO	1		
3	DA67-01855H	SEAL CUTT FOAM PE	HERMES09,GLASS,BLACK+LOGO	1		SNA
4	DA97-04567D	ASSY-GASKET DOOR FRE	SF-PVC,469*1586,SEMI GRAY	1		SA
	DA97-04567P		SF-PVC,469*1586,BLACK	1		
RS21H*L***						
6	DA97-05733B	ASSY-HANDLE BAR FRE	HERMES,AL(A6063),L1654.5,CICLE,I BLACK,ONE TOUCH	1		SA
	DA97-05773A		HERMES,AL(A6063),L1654.5,CICLE,BRILLIANT GOLD,ONE TOUCH	1		
	DA97-05733F		HERMES,-,AL SILVER,-	1		
6-1	DA64-02368B	HANDLE-BAR (B TYPE HANDLE)	HERMES,AL(A6063),L1654.5,CICLE,I BLACK,ONE TOUCH	1		SA
	DA64-02368A		HERMES,AL(A6063),L1654.5,CICLE,BRILLIANT GOLD,ONE TOUCH	1		
	DA64-02617C		HERMES,AL,T1.0,-,L1628.5,-,SC-02669T(ALUMINUM SILVER),-	1		
6-2	DA67-01452B	CAP-HANDLE	CULLINAN,ABS(MP00160),NTR,BRILLANT SILVER	2		SA
	DA67-01452A		CULLINAN,ABS(MP00160),NTR,BRILLANT GOLD	2		
	DA67-02024B		CORE,ABS,-,-,NTR,SILVER Plating	1		
	DA67-02024D		CORE,ABS,-,-,SNOW-WHITE,-	1		
6-3	DA67-01810B	CAP-SUPPORT HANDLE	HERMES,BRILLIANT SILVER	4		SA
	DA67-01810G		HERMES,BRILLIANT GOLD	4		
	DA67-02009D		HERMES-PJT,ABS,-,-,BRILLIANT PEARL SILVER	4		
6-4	DA97-03655B	ASSY SCREW TAPPING	CULLINAN,PWH,+,1,M4,L20	4		SA
6-5	6009-001512	SCREW-SPECIAL	BH,+,-,M4,L16,ZPC(WHT),SWRCH18A	4		SA
6-6	DA61-03636A	STOPPER-HANDLE	CULLINAN,SK5	4		SA
7	DA97-04706C	ASSY CHASSIS DOOR OUT REF	CULLINAN,BALLENTINE BLACK,50mm	1		SA
	DA97-04706A		CULLINAN,BRILLIANT GOLD,50mm	1		
	DA97-06893F		HM09,ASSY,ANDRE WHITE2(SC-07102T),50mm	1		
	DA97-06893G		HM09,ASSY,SCARLET WINE(DAC-RD0701T),50mm	1		
	DA97-06893H		HM09,ASSY,BALLENTINE BLACK(SC-00477),50mm	1		
8	DA97-04702C	ASSY CHASSIS DOOR IN REF	CULLINAN,BALLENTINE BLACK,50mm	1		SA
	DA97-04702A		CULLINAN,BRILLIANT GOLD,50mm	1		
	DA97-04702P		CULLINAN,AL,-,-,SC-07102T(ANDRE-WHITE_2)	1		
	DA97-04702Q		CULLINAN,AL,-,-,DAC-RD0701T(SCARLET-WINE	1		
9	DA97-05671A	ASSY CHASSIS DOOR TOP REF	CULLINAN,EMPIRE BLACK,50mm	1		SA
	DA97-05671B		CULLINAN,BRILLIANT GOLD,50mm	1		
	DA97-05671J		CULLINAN08,-,ANDRE WHITE 2	1		
	DA97-05671K		CULLINAN08,-,SCARLET WINE	1		
10	DA97-04704C	ASSY CHASSIS DOOR LOW REF	CULLINAN,EMPIRE BLACK,50mm	1		SA
	DA97-04704A		CULLINAN,BRILLIANT GOLD,50mm	1		
	DA97-04704G		CULLINAN 08,-,-,-,ANDRE II WHITE,50mm	1		
	DA97-04704E		CULLINAN 08,-,-,-,SCARLET WINE,50mm	1		
11	DA61-00564A	STOPPER DOOR	SHP1,BLK,SRT689	1		SA
12	DA66-00344A	CAM HINGE RISER, LOW	NY66	1		SA
13	6001-000715	SCREW MACHINE	TH,M5,L16,ZPC(YEL),MSWR10	3		SA
14	DA97-04963A	ASSY GUARD-DAIRY	HERMES,55mm	1		SA

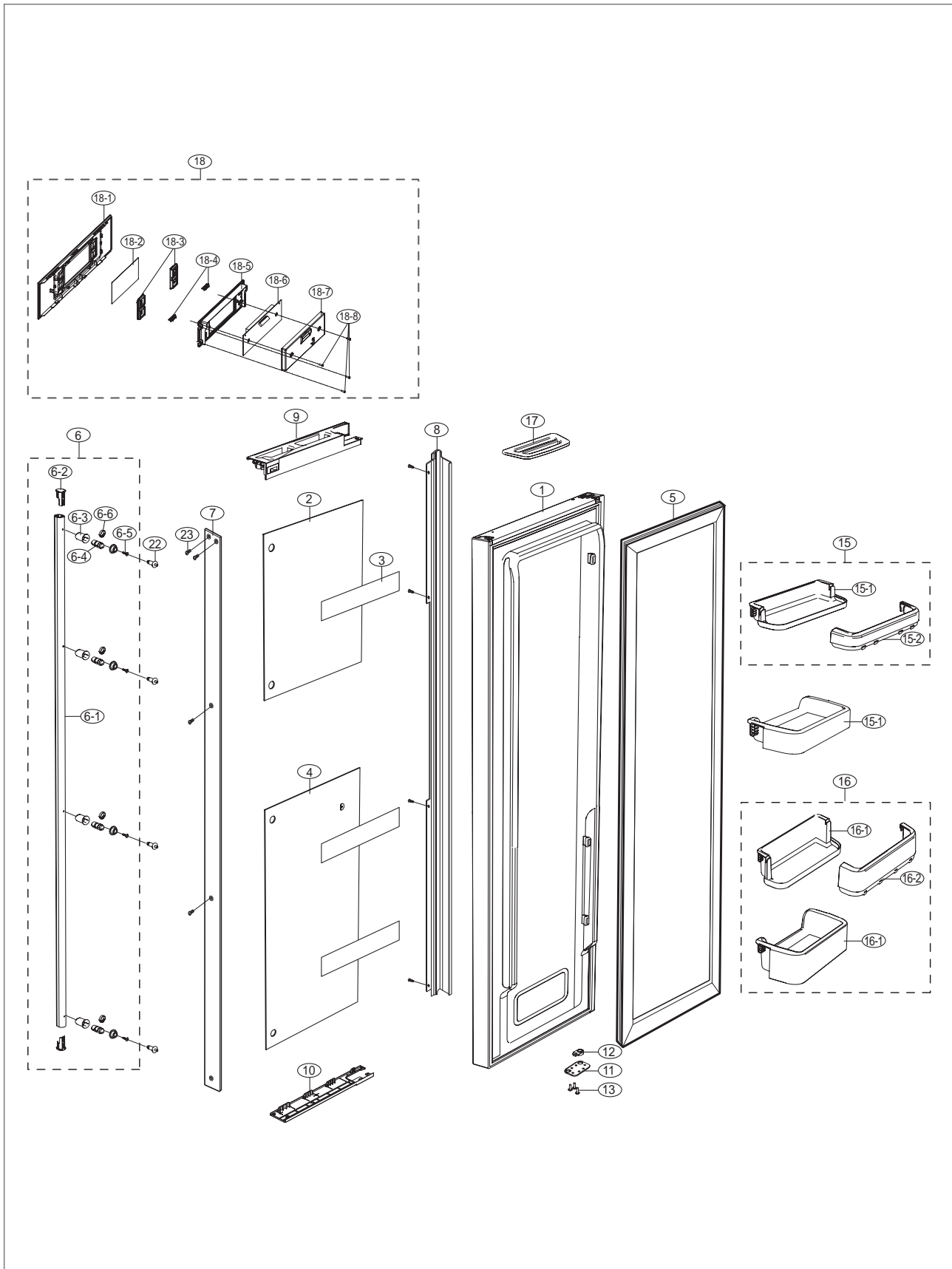
EXPLODED VIEW & PART LIST

■ Parts List of Fridge Door (RS21H TRIMKIT-Basic)

NO	CODE NO	PART NAME	Spec	Quantity	Remark	SA/SNA
14-1	DA63-03533A	GUARD-DAIRY	HERMES,HIPS/HG-1760SF,T2.5,55mm	1		SA
14-2	DA63-03534A	COVER-GUARD DAIRY	HERMES,GPPS/HF2660S,T3.0,TRANSPARENCY,55mm	1		SA
15	DA97-04964B	ASSY GUARD-REF TOP	HERMES,55mm	1		SA
15-1	DA63-03536B	GUARD-REF TOP	HERMES,ABS,T2.5,COOL WHITE(SC02740R),55mm	1		SA
15-2	DA63-03537A	COVER-GUARD REF TOP	HERMES,GPPS/HF2660S,T3.0,TRANSPARENCY,55mm	1		SA
16	DA97-04965C	ASSY-GUARD REF MID	HERMES,55mm	1		SA
16-1	DA63-03538B	GUARD REF MID	HERMES,ABS,T2.5,COOL WHITE(SC02740R),55mm	1		SA
16-2	DA63-03537A	COVER-GUARD REF TOP	HERMES,GPPS/HF2660S,T3.0,TRANSPARENCY,55mm	1		SA
16-3	DA61-03601B	GUIDE-BOTTLE REF	HERMES,PP,T2.5,COOL WHITE	1		SA
17	DA97-04966B	ASSY GUARD-REF LOW	HERMES,55mm	1		SA
17-1	DA63-03540B	GUARD-REF LOW	HERMES,ABS,T2.5,COOL WHITE(SC02740R),55mm	1		SA
17-2	DA63-03539A	COVER-GUARD REF LOW	HERMES,GPPS/HF2660S,T3.0,TRANSPARENCY,55mm	1		SA
18	DA63-03639A	GUARD-REF TOP	HERMES,PP,COOL WHITE,1PIECE	1		SA
19	DA97-05262A	ASSY-GUARD REF MID	HERMES,55mm	1		SA
19-1	DA63-03640A	GUARD REF MID	HERMES,PP,COOL WHITE,1PIECE	1		SA
19-2	DA61-03601B	GUIDE-BOTTLE REF	HERMES,PP,T2.5,COOL WHITE	1		SA
20	DA63-03641A	GUARD-REF LOW	HERMES,PP,COOL WHITE,1PIECE	1		SA
21	6002-001122	SCREW-TAPPING	FH,M4*L14,ZPC(WHITE)	20		SA

EXPLODED VIEW & PART LIST

5-16) Freezer Door (RS21H TRIMKIT-Basic)



EXPLODED VIEW & PART LIST

■ Parts List of Freezer Door (RS21H TRIMKIT-Basic)

NO	CODE NO	PART NAME	Spec	Quantity	Remark	SA/SNA
1	DA91-02900B	ASSY-DOOR FOAM FRE	HERMES09, BASIC,N,CHINA,R(INVERTER)	1		SA
	DA91-02900A		HERMES09, DISP,FORE WHITE,N,CHINA,R(INVERTER)			
	DA91-02900C		HERMES09, BASIC,ANEMONE WINE,N,CHINA,R(INVERTER)			
	DA91-02900D		HERMES09, DISP,P/INOX,N,CHINA,R(INVERTER)			
	DA91-02900E		HERMES09, BASIC,SNOW WHITE,N,CHINA,R(INVERTER)			
	DA91-02900F		HERMES09, BASIC,P/INOX,N,CHINA,R(INVERTER)			
2	DA67-01845A	GLASS DOOR FRE UPP	HERMES,GLASS,ALL BLACK	1		SA
	DA67-01845B		HERMES,GLASS,ANDRE WINE	1		
	DA67-01845C		HERMES,GLASS,BLACK MIRROR	1		
	DA67-01845D		HERMES,GLASS,TULIP BLACK	1		
	DA67-01845E		HERMES,GLASS,TITANIC BLACK	1		
	DA67-01845F		HERMES,GLASS,FORE WHITE	1		
	DA67-01845G		HERMES,GLASS,ANEMONE WINE	1		
3	DA62-00919C	SEAL CUTT FOAM PE	CULLINAN,FOAM-PE	3		SNA
4	DA67-01844A	GLASS DOOR FRE LOW	HERMES,GLASS,ALL BLACK	1		SA
	DA67-01844B		HERMES,GLASS,ANDRE WINE	1		
	DA67-01844C		HERMES,GLASS,BLACK MIRROR	1		
	DA67-01844D		HERMES,GLASS,TULIP BLACK	1		
	DA67-01844E		HERMES,GLASS,TITANIC BLACK	1		
	DA67-02367A		HERMES,GLASS,FORE WHITE	1		
	DA67-02367B		HERMES,GLASS,ANEMONE WINE	1		
5	DA97-04567C	ASSY-GASKET DOOR FRE	SF-PVC,332*1586,VICTROY GRAY	1		SA
	DA97-04567N		SF-PVC,332*1586,LUXUTY,BLACK	1		
RS21H*L**						
6	DA97-05733B	ASSY-HANDLE BAR FRE	HERMES,AL(A6063),L1654.5,CICLE,I BLACK,ONE TOUCH	1		SA
	DA97-05773A		HERMES,AL(A6063),L1654.5,CICLE,BRILLIANT GOLD,ONE TOUCH	1		
	DA97-05733F		HERMES,-,AL SILVER,-	1		
6-1	DA64-02368B	HANDLE-BAR(B TYPE HANDLE)	HERMES,AL(A6063),L1654.5,CICLE,I BLACK,ONE TOUCH	1		SA
	DA64-02368A		HERMES,AL(A6063),L1654.5,CICLE,BRILLIANT GOLD,ONE TOUCH	1		
	DA64-02617C		HERMES,AL,T1.0,-,L1628.5,-,SC-02669T(ALUMINUM SILVER),-	1		
6-2	DA67-01452B	CAP-HANDLE	CULLINAN,ABS(MP00160),NTR,BRILLANT SILVER	2		SA
	DA67-01452A		CULLINAN,ABS(MP00160),NTR,BRILLANT GOLD	2		
	DA67-02024B		CORE,ABS,-,-,NTR,SILVER Plating	1		
	DA67-02024D		CORE,ABS,-,-,SNOW-WHITE,-	1		
6-3	DA67-01810B	CAP-SUPPORT HANDLE	HERMES,BRILLIANT SILVER	4		SA
	DA67-01810G		HERMES,BRILLIANT GOLD	4		
	DA67-02009D		HERMES-PJT,ABS,-,-,BRILLIANT PEARL SILVER	4		
6-4	DA97-03655B	ASSY SCREW TAPPING	CULLINAN,PWH,+ ,1,M4,L20	4		SA
6-5	6009-001512	SCREW-SPECIAL	BH,+,-,M4,L16,ZPC(WHT),SWRCH18A	4		SA
6-6	DA61-03636A	STOPPER-HANDLE	CULLINAN,SK5	4		SA
7	DA97-04705C	ASSY CHASSIS DOOR OUT FRE	CULLINAN,BALLENTINE BLACK,50mm	1		SA
	DA97-04705A		CULLINAN,BRILLIANT GOLD,50mm	1		
	DA97-06890E		CULLINAN,A6063,T1.2,50MM,-,ADRE WHITE 2, LONG HANDLE	1		
	DA97-06890F		CULLINAN,A6063,T1.2,50MM,-,SCARLET WINE, LONG HANDLE	1		
	DA97-06893H		HM09,ASSY,BALLENTINE BLACK(SC-00477),50mm	1		
8	DA97-04701C	ASSY CHASSIS DOOR IN FRE	CULLINAN,BALLENTINE BLACK,50mm	1		SA
	DA97-04701A		CULLINAN,BRILLIANT GOLD,50mm	1		
	DA97-04701P		CULLINAN,AL,-,-,SC-07102T(ANDRE-WHITE_2),-	1		
	DA97-04701Q		CULLINAN,AL,-,-,DAC-RD0701T(SCARLET-WINE),-	1		

EXPLODED VIEW & PART LIST

■ Parts List of Freezer Door (RS21H TRIMKIT-Basic)

NO	CODE NO	PART NAME	Spec	Quantity	Remark	SA/SNA
9	DA97-05670A	ASSY CHASSIS DOOR TOP FRE	CULLINAN,EMPIRE BLACK,50mm	1		SA
	DA97-05670B		CULLINAN,BRILLIANT GOLD,50mm	1		
	DA97-05670J		CULLINAN08,-,ANDRE WHITE 2	1		
	DA97-05670K		CULLINAN08,-,SCARLET WINE	1		
10	DA97-04703C	ASSY CHASSIS DOOR LOW FRE	CULLINAN,EMPIRE BLACK,50mm	1		SA
	DA97-04703A		CULLINAN,BRILLIANT GOLD,50mm	1		
	DA97-04703D		CULLINAN 08,-,-,-,ANDRE II WHITE,50mm	1		
	DA97-04703E		CULLINAN 08,-,-,-,SCARLET WINE,50mm	1		
11	DA61-00564A	STOPPER DOOR	SHP1,BLK,SRT689	1		SA
12	DA66-00344A	CAM HINGE RISER, LOW	NY66	1		SA
13	6001-000715	SCREW MACHINE	TH,M5,L16,ZPC(YEL),MSWR10	3		SA
15	DA97-04967B	ASSY GUARD FRE-TOP	2PIECE TYPE(GPPS+HIPS)	1		SA
15-1	DA63-03541B	GUARD-FRE TOP	HERMES,ABS,T2.5,SC-02740R(COOL-WHITE),55mm	1		SA
15-2	DA63-03542A	COVER-GUARD FRE TOP	HERMES,GPPS/HF2660S,T3.0,TRANSPARENCY,55mm	1		SA
16	DA97-04968B	ASSY GUARD FRE-LOW	2PIECE TYPE(GPPS+HIPS)	2		SA
16-1	DA63-03554B	GUARD FRE-LOW	HERMES,ABS,T2.5,SC-02740R(COOL-WHITE),55mm	2		SA
	DA63-03643A		HERMES,PP,COOL WHITE,1PIECE	2		SA
16-2	DA63-03553A	COVER-GUARD FRE LOW	HERMES,GPPS/HF2660S,T3.0,TRANSPARENCY,55mm	2		SA
17	DA63-03580B	TRAY DISPENSER	HERMES,ABS,T2.5,SC-00477R(I-BLACK),DISP	1		SA
	DA63-03580J		HERMES,ABS,T2.5,SC-06152R(TULIP RED WINE),DISP	1		SA
	DA63-03580Q		HM09,ABS,ANDRE WHITE 2	1		SA
	DA63-03580R		HM09,ABS,EVE FLOWER WINE	1		SA
18	DA97-07729A	ASSY COVER-CONTROL FRONT T/K	HERMES09,ABS,ANDRE WHITE2(SC-07102S)	1	RS21HD/B/N*FH,CHINA	SA
	DA97-07729B		HERMES09,ABS,China, VACATION,SCARLET WINE(DAC-RD0716S)	1	RS21HD/B/N*PM,CHINA	
	DA97-07729C		HERMES09,ABS,EUROPE, VACATION,ANDRE WHITE 2(SC-07102S)	1	RS21HD/B/N*FH	
	DA97-07729D		HERMES09,ABS,EUROPE, VACATION,SCARLET WINE(DAC-RD0716S)	1	RS21HD/B/N*PM	
	DA97-07729E		HERMES09,ABS,EUROPE, POWER COOL,ANDRE WHITE 2(SC-07102S)	1	RS21HD/B/N*FH	
	DA97-07729F		HERMES09,ABS,EUROPE, POWER COOL,SCARLET WINE(DAC-RD0716S)	1	RS21HD/B/N*PM	
	DA97-07729G		HM09,ABS,EUROPE,VACATION,EMPIRE BLACK(SC-04119S)	1		
	DA97-07729H		HM09,ABS,EUROPE,VACATION,VERSAILLES STS(SC-05061S)	1		
	DA97-07729J		HM09,ABS,EUROPE,POWER COOL,EMPIRE BLACK(SC-04119S)	1		
DA97-07729K	HM09,ABS,EUROPE,POWER COOL,VERSAILLES STS(SC-05061S)	1				
18-1	DA63-05076A	COVER-CONTROL FRONT FRE	HERMES09,ABS,China, VACATION,ANDRE WHITE(SC-07102S)	1	RS21HD/B/N*FH,CHINA	SA
	DA63-05076B		HERMES09,ABS,China, VACATION,EVE FLOWER WINE(SC-07078R)	1	RS21HD/B/N*PM,CHINA	
	DA63-05076C		HERMES09,ABS,EUROPE, VACATION,ANDRE WHITE2 (SC-07102R)	1	RS21HD/B/N*FH	
	DA63-05076D		HERMES09,ABS,EUROPE, VACATION,EVE FLOWER WINE(SC-07078R)	1	RS21HD/B/N*PM	
	DA63-05076E		HERMES09,ABS,EUROPE, POWER COOL,ANDRE WHITE2 (SC-07102R)	1	RS21HD/B/N*FH	
	DA63-05076F		HERMES09,ABS,EUROPE, POWER COOL,EVE FLOWER WINE(SC-07078R)	1	RS21HD/B/N*PM	
	DA63-05076G		HM09,ABS,EUROPE,VACATION,EMPIRE BLACK(SC-04119S)	1		
	DA63-05076H		HM09,ABS,EUROPE,VACATION,VERSAILLES STS(SC-05061S)	1		
	DA63-05076J		HM09,ABS,EUROPE,POWER COOL,EMPIRE BLACK(SC-04119S)	1		
DA63-05076K	HM09,ABS,EUROPE,POWER COOL,VERSAILLES STS(SC-05061S)	1				
18-2	DA63-05063A	COVER-CONTROL WINDOW FRE	HM09,ACRYL,NTR,HALF-MIRROR,CHIAN , LIGHT GRAY	1		SA
18-3	DA64-02983A	DECORATION-BUTTON CONTROL	HM09,ABS,NTR,PNC2	2		SA
18-4	DA63-05075A	COVER CONTROL SUB	HERMES09,ABS,NTR,T/K	1		SA
18-5	DA63-05059A	GROMMET-BUTTON	HM09,SILICON,BLACK	2		SA
18-6	DA63-05074A	COVER-PBA PANEL	HERMES09,ABS,NTR,BASIC	1		SA
18-7	DA41-00636A	PBA PANEL	09 HERMES-PJT,F-DOOR,FR-4,200*65.0*11.6,Blue LED BASIC,Vacation, °C LED PANEL PBA, Inlay Color:Black,12V, 5V/50Hz,N,-	1	RS21H/23HB/N,BLUE LED	SA
	DA41-00636C		09 HM-PJT,F-DOOR,FR-4,200*65.0*11.6,Blue LED BASIC,Power Cool, °C LED PANEL PBA, Inlay Color:Black,12V, 5V/50Hz,N	1	RS21H/23HB/N,BLUE LED	SA
	DA41-00636E		09 HM-PJT,F-DOOR,FR-4,200*65.0*11.6,China,Blue LED BASIC,Vacation, °C LED PANEL PBA, Inlay Color:Black,12V, 5V/50Hz,N	1	RS21H/23HB/N,BLUE LED CHINA	SA
	DA41-00646A		09 HERMES-PJT,F-DOOR,FR-4,200*107.2*11.6,Y/G LED, CAFELOOK,BASIC,Vacation, °C, Inlay Color:Black,12V, 5V/50Hz,N	1	RS21H/23HB/N,Y/G LED	SA
	DA41-00646B		09 HERMES-PJT,F-DOOR,FR-4,200*107.2*11.6,Y/G LED, CAFELOOK,BASIC,PowerCool, °C, Inlay Color:Black,12V, 5V/50Hz,N	1	RS21H/23HB/N,Y/G LED	SA

■ Parts List of Freezer Door (RS21H TRIMKIT-Basic)

NO	CODE NO	PART NAME	Spec	Quantity	Remark	SA/SNA
18-7	DA41-00636B	PBA PANEL	'09 HM-PJT,F-DOOR,FR-4,200*65.0*11.6,Blue LED BASIC,Vacation, 'C LED PANEL PBA, Inlay Color:Silver,12V, 5V,50Hz,N	1		SA
	DA41-00636D		'09 HM-PJT,F-DOOR,FR-4,200*65.0*11.6,Blue LED BASIC,Power Cool, 'C LED PANEL PBA, Inlay Color:Silver,12V, 5V,50Hz,N	1		SA
	DA41-00636F		'09 HM-PJT,F-DOOR,FR-4,200*65.0*11.6,China, Blue LED BASIC,Vacation, 'C LED PANEL PBA, Inlay Color:Silver,12V, 5V,50Hz,N	1		SA
18-8	6003-000333	SCREW-TAPTITE	RH,+,-,2S,M3,L10,ZPC(WHT),SWRCH18A	2		SA
22	DA61-03634B	BRACKET-HANDLE	ABS,AD,-,-,-,NTR,-	4		SA
23	6002-000630	SCREW-TAPPING	PH,+,-,2S,M3,L8,ZPC(WHT),SWRCH18A	18	RSH1K	SA