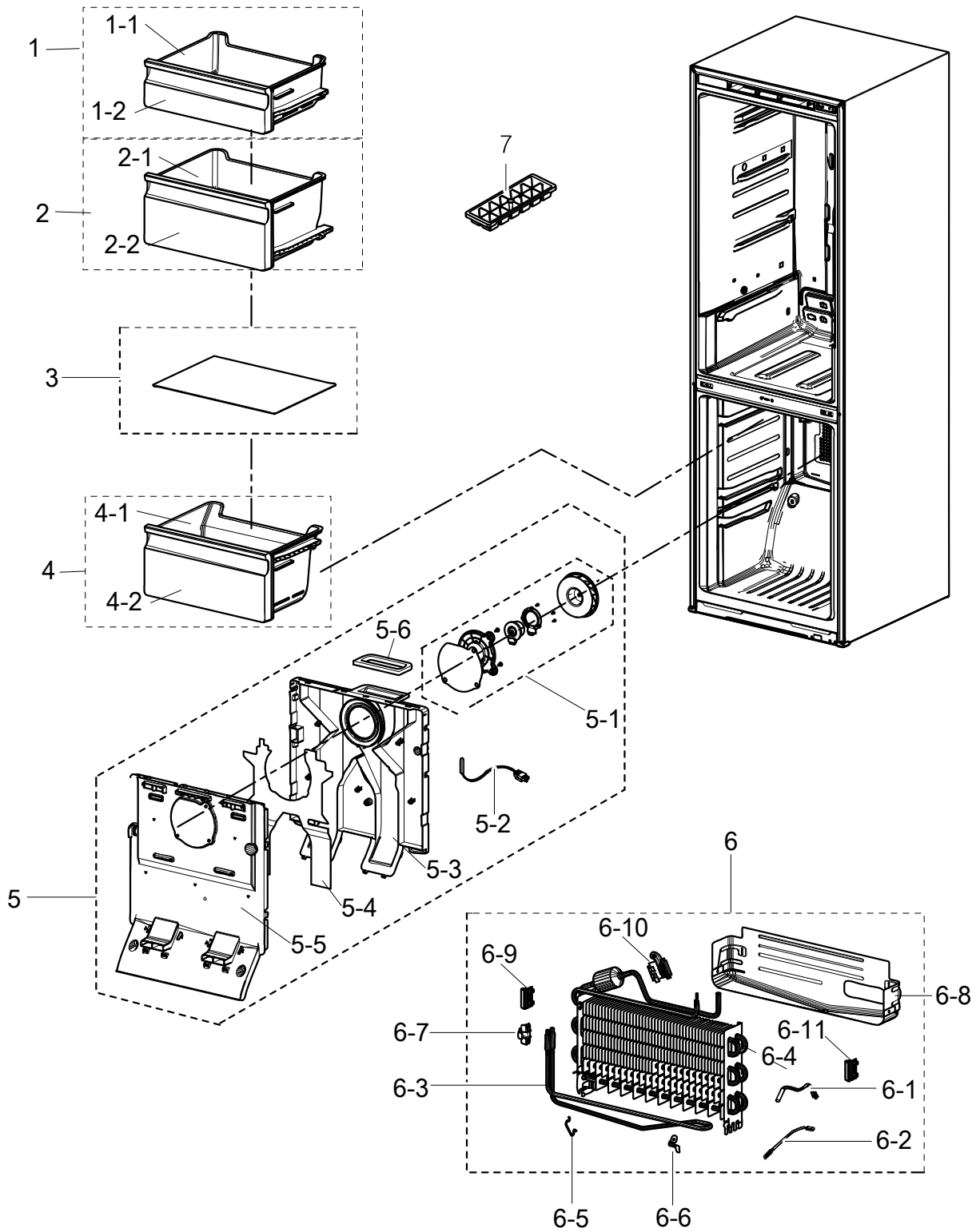


EXPLODED VIEW PART LIST

Freezer



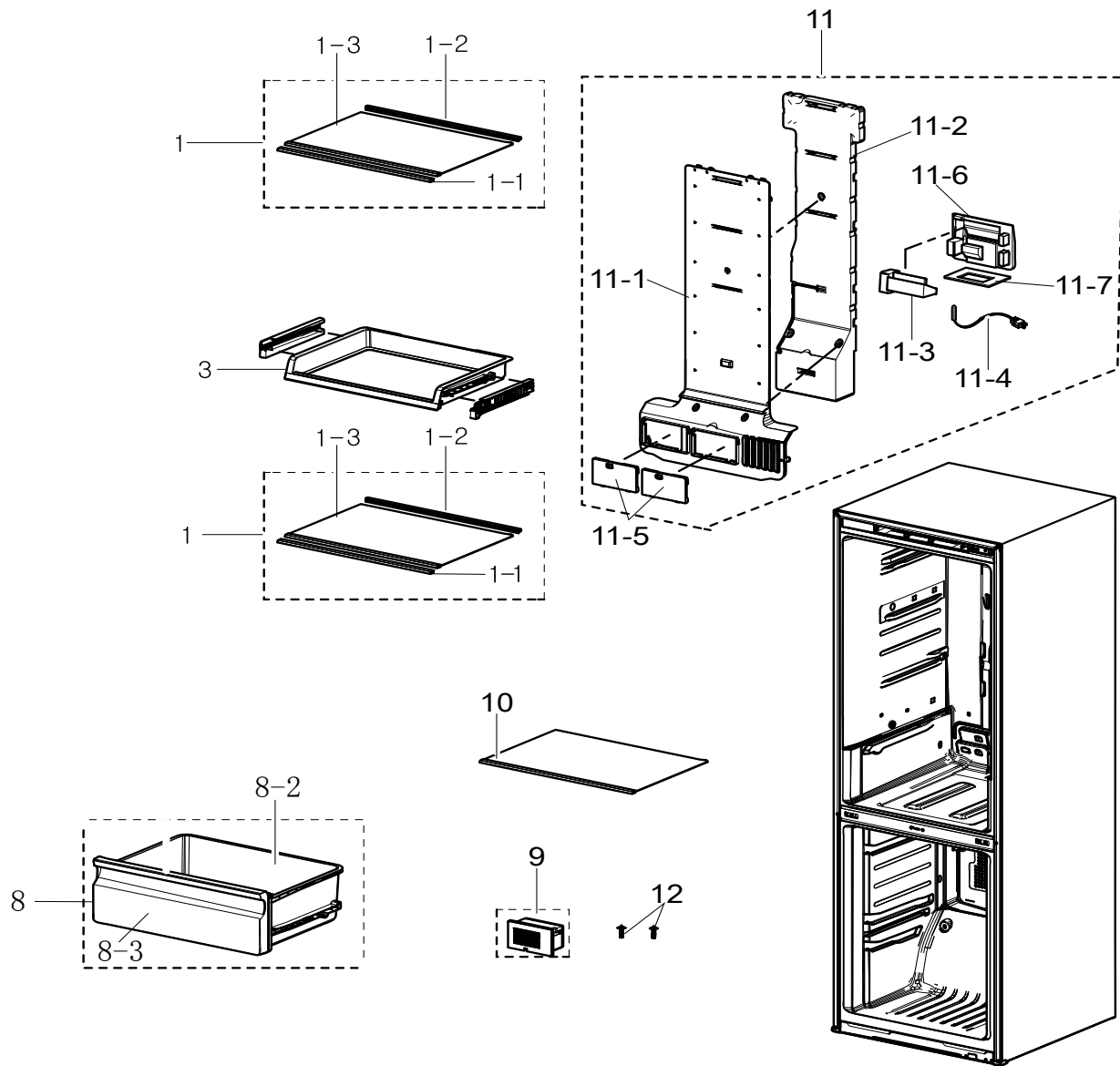
EXPLODED VIEW PART LIST

• Parts List of Freezer

NO	CODE NO	PART NAME	SPEC	QTY	Unit	Service
1	DA97-15776C	ASSY TRAY-UP	ASSY	1	PC	SA
1-1	DA67-40146B	TRAY ICE	SR-1500,PP,HB,COOL WHITE	1	PC	SA
1-2	DA97-13480A	ASSY TRAY-FRE UPP	3050,W479.1,L394.3	1	PC	SA
2	DA97-13472A	ASSY TRAY-FRE MID	3050,W466.3,H227.0	1	PC	SA
2-1	DA63-07431A	TRAY FRE-MID	3050,PP,HB,COOL WHITE,EP448T	1	PC	SNA
2-2	DA97-13680A	ASSY COVER-TRAY FRE MID	3050 BMF,TRANSPARENCY,ASSY	1	PC	SNA
3	DA97-13502E	ASSY SHELF GLASS-FRE	RL31/29,NO TRIM	1	PC	SA
3-1	DA67-03645N	GLASS-SHELF FRE	RL310/290,TEMPERED GLASS,TRIM,GLASS	1	PC	SNA
4	DA97-13475A	ASSY TRAY-FRE LOW	3050,W466.2	1	PC	SA
4-1	DA63-07428A	TRAY FRE-LOW	3050,PP,HB,COOL WHITE,EP448T	1	PC	SNA
4-2	DA97-13680A	ASSY COVER-TRAY FRE MID	3050 BMF,TRANSPARENCY,ASSY	1	PC	SNA
5	DA97-13570A	ASSY COVER EVAP-FRE	3050,NATURAL	1	PC	SA
5-1	DA31-00287B	MOTOR BLDC FAN	ARES2120RA,1870±4%,12V,Max 210mA,2.5W,1 Hall sensor,-30~-60	1	PC	SA
5-2	DA32-10105X	SENSOR TEMP	PX-41C,502AT,DKST1329GW,QUEEN PJT,-40~120,5V,F-SENSOR,YELLOW,450mm	1	PC	SA
5-3	DA63-07425A	COVER EVAP-REAR	3050_BMF,PP,HB,NATURAL,EP448T	1	PC	SNA
5-4	DA62-04127A	SEAL-COVER EVAP FRONT	3050_BMF,PE FOAM,WHITE,T2,THE REAR ADHESION	1	PC	SNA
5-5	DA63-07424A	COVER EVAP-FRONT	3050_BMF,PP,HB,NATURAL,EP448T	1	PC	SNA
5-6	DA62-03935B	SEAL-COVER EVAP REAR HIGH	3050_BMF,OJC-3000,WHITE,T5,THE REAR ADHESION	1	PC	SNA
6	DA96-01009A	ASSY EVAP-FRE	3050-BMF	1	PC	SC
6-1	DA32-00006D	SENSOR TEMP-F DEF SENSOR	PX-41C,502AT,DKST1329GW,EXPORT,-40~120,5V,F DEF-SENSOR,YELLOW,250mm	1	PC	SA
6-2	DA47-00301D	THERMO FUSE-ASSY	AC250V,10A,109~110, S.O.D,ETC(WIRE)	1	PC	SA
6-3	DA47-00460A	HEATER-METAL SHEATH	AC230V,3050 BMF, 352.7ohm,150W,INCOLOY840,984 mm,Bimetal,35965-9213,MG611532T,MgO	1	PC	SA
6-4	DA59-00555A	EVAP FRE	FIN TUBE,AL,3050-PJT	1	PC	SNA
6-5	DA61-02526A	FIXER-EVAP FRE,SUB	NEXT,AL,φ2.0,-,-	1	PC	SNA
6-6	DA61-03644A	PLATE-EVAP HEATER	AW-PJT,Al,T0.7	1	PC	SA
6-7	DA61-07410A	FIXER-HEATER FRE	NW2,PP,NATURAL,BJ750	2	PC	SA
6-8	DA61-08936A	PLATE-DRAIN	3050,GI-SGCC,T0.3	1	PC	SA
6-9	DA61-07410A	FIXER-HEATER FRE	NW2,PP,NATURAL,BJ750	2	PC	SA
6-10	DA61-00603A	FIXER-SENSOR	n-PJT,PP,T2.0,NATURAL,HB,BJ750	1	PC	SA
6-11	DA61-07411A	FIXER-FUSE	NW2,PP,NATURAL,BJ750	1	PC	SA
7	DA67-40146B	TRAY-ICE	SR-1500,PP,HB,COOL WHITE	1	PC	SA

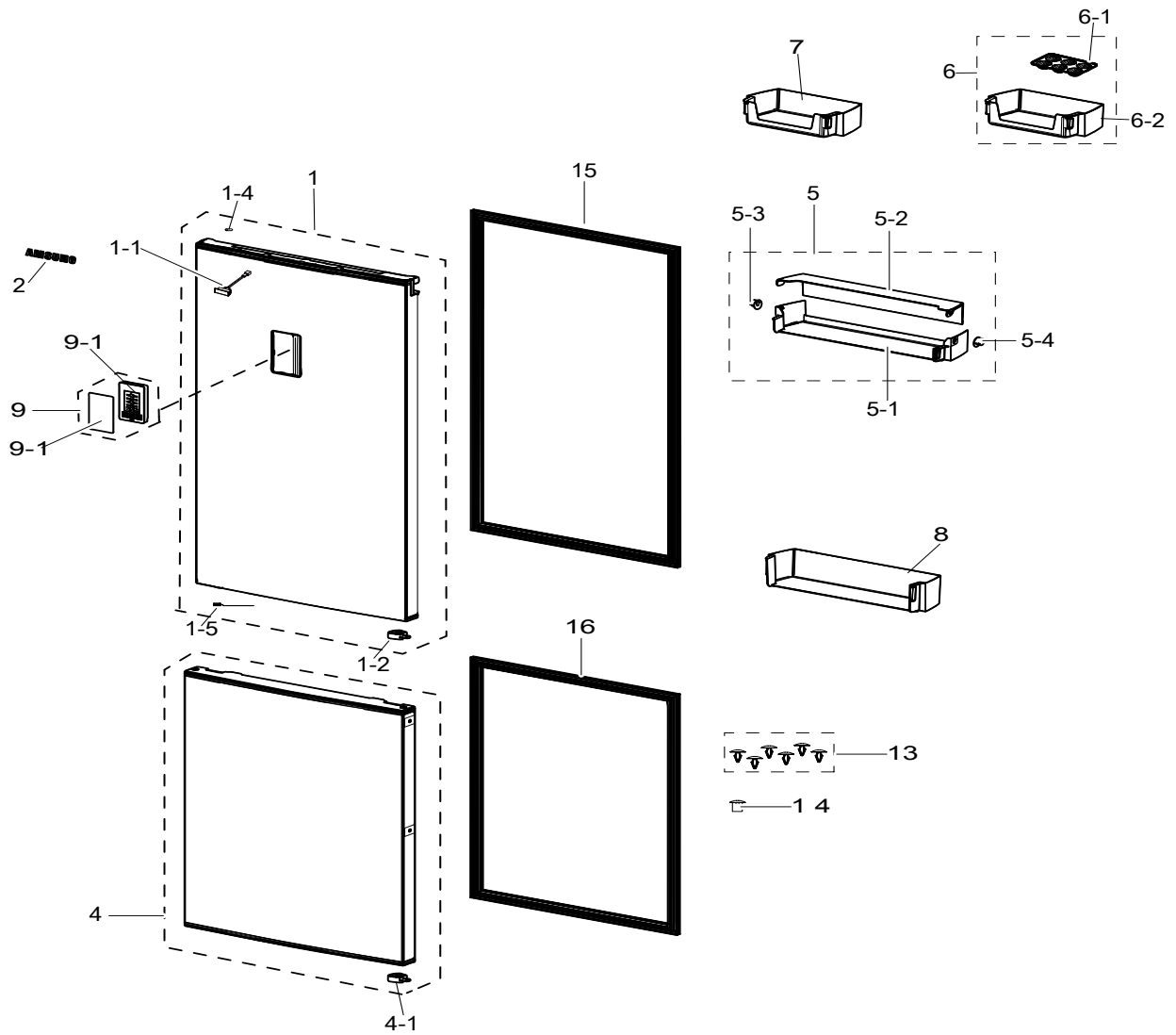
EXPLODED VIEW PART LIST

Fridge



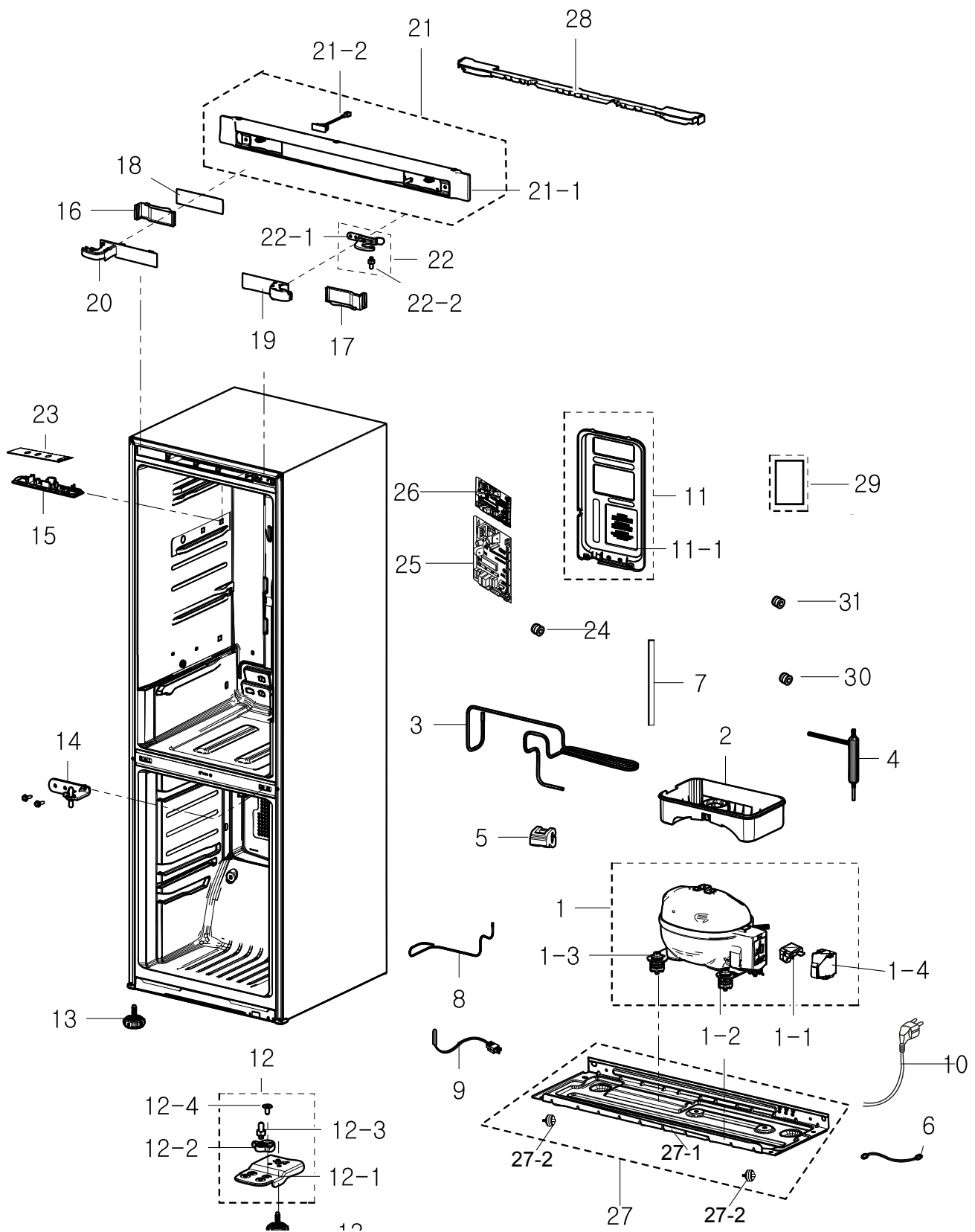
EXPLODED VIEW PART LIST

Door



EXPLODED VIEW PART LIST

Cabinet



EXPLODED VIEW PART LIST

• Parts List of Cabinet

NO	CODE NO	PART NAME	SPEC	QTY	Unit	Service
1	NC4AV80ALR/F01	COMPRESSOR	0	1	PC	-
1-2	DA63-02617A	GROMMET COMP	USP05,EPDM,OD27.0,BLACK	4	PC	SA
1-3	DA60-20008A	BOLT-HEX	M6,L43.6(28.1),ZPC(SILVER), D9.0, FLANGE,SWRCH10A	4	PC	SC
1-4	DA63-06122A	COVER-RELAY	MSV,MPP0,T2.0,BLACK,V-0	1	PC	SNA
2	DA63-06630B	ASSY TRAY-DRAIN WATER	3050BMF(A1 COMP),PP,HB,TB53	1	PC	SA
3	DA97-13649B	ASSY PIPE IMMERSING	3050 BMF,OD4.76,T0.7,SWST	1	PC	SA
4	DA62-01469H	DRYER	C1220T-H,115,SINGLE MOUTH	1	PC	SA
5	DA63-07475A	GROMMET-IMMERSION PIPE D	3050_LMF,NBR,20,20,BLACK,vibration-proofint	1	PC	SNA
6	DA39-20389A	WIRE HARNESS-EARTH	ALL,FREE VOLT,UL+IEC,UL,ALL,EARTH,300mm,1, ST710489-3*2	1	PC	SNA
7	DA73-00050G	PIPE-CONN	Cu,OD6.35,T0.6	1	PC	SA
8	DA62-03095A	PIPE-CONNECT SUCTION	GRANDCRU,C1220T-O,OD6.35,0.6	1	PC	SA
9	DA32-10105F	SENSOR TEMP	502AT,PX-41C,DKST1329GW,ACE,-40~120,5V,TPA APPLIED,WHITE,250	1	PC	SA
10	3903-000789	CBF-POWER CORD	AT,AUSTRALIA,AU3S-5,3C,250V,10A,BLACK,2000,20/1 00/100/150,H05VV-F 0.75mm^2,SAA,Y,N,N,N,Y	1	PC	SA
11	DA97-13562A	ASSY COVER-PCB PANEL	290, 310,GI,3050	1	PC	SA
11-1	DA63-07420A	COVER-PCB PANEL	BMF,GI-SGCC,T0.5,3050	1	PC	SNA
12	DA97-13557A	ASSY HINGE LOW	3050_BMF	1	PC	SA
12-1	DA61-08990A	HINGE-LOW	3050PJ,PO-SPHC,T3.0,LMF	1	PC	SA
12-2	DA61-08991A	GUIDE-AUTO CLOSE	3050PJ,PA66,NTR,LMF	1	PC	SA
12-3	DA66-00385A	SHAFT-HINGE	CORE,SWRCH10A,NATURAL,ZPC3(WHT)	1	PC	SNA
12-4	DA81-01532A	SCREW-MACHINE	CH,+M5,L12.7,ZPC(WHT),SWRCH18A,1	1	PC	SA
13	DA61-09392A	LEG-FRONT	NCA-PJT,PP,BLACK	2	PC	SA
14	DA97-13564A	ASSY HINGE MID	3050_BMF	1	PC	SA
15	DA63-07368B	COVER-LAMP	3050,GPPS,T2.0,TP BLUE	1	PC	SA
16	DA67-03647B	CAP-SPACE DOOR R	3050,ABS,HB,HG-0760GP,SNOW WHITE	1	PC	SNA
17	DA67-03636B	CAP-SPACE DOOR L	3050,ABS,HB,HG-0760GP,SNOW WHITE	1	PC	SA
18	DA61-08932B	CAP-CONTROL PANEL	3050,ABS,HB,HG-0760GP,SNOW WHITE,WT0048	1	PC	SA
19	DA63-07384B	COVER-WIRE HINGE R	3050,ABS,HB,SNOW WHITE,HG-0760GP,WT0048	1	PC	SA
20	DA63-07385B	COVER-WIRE HINGE L	3050,ABS,HB,SNOW WHITE,HG-0760GP,WT0048	1	PC	SA
21	DA97-13131B	ASSY COVER CONTROL-PANEL	3050PJT BMF,ASSY,Snow White(WT0048),Inner Display	1	PC	SA
21-1	DA63-07352B	COVER-CONTROL PANEL	3050,ABS,HB,SNOW WHITE,HG-0760GP,WT0048	1	PC	SA
21-2	DA34-00043J	SWITCH REED	UL1007 AWG 22,50mm	1	PC	SA
22	DA97-13567A	ASSY HINGE UPP	3050_BMF	1	PC	SA
22-1	DA97-13566A	ASSY HINGE UPP-SUB	3050_BMF	1	PC	SNA
22-2	DA66-00385A	SHAFT-HINGE	CORE,SWRCH10A,NATURAL,ZPC3(WHT)	1	PC	SNA
23	DA41-00519R	PBA-LED LAMP	3ea,CEM-1,FR-4 65*10*1.6T,WHITE,SMAW250-03G or-H03G,45mA~75mA,DC12V,MIN 25lx	1	PC	SA
24	DA60-00279A	FITTING-LOKRING 16	SUM23,16	1	PC	SA
25	DA92-00849A	ASSY PCB MAIN	BETTER,3050-PJT,148*197,230V,12V,5V,F-FAN, 1-DAMPER, MATRIX, REACTOR, A1 COMP	1	PC	SA
26	DA92-00459P	ASSY PCB INVERTER	INVERTER,3050,148*98.5mm,220V,16V,5V,A1	1	PC	SA
27	DA97-14151A	ASSY CHASSIS COMP	3050-PJT,GI-SGCC, T0.8, ASSY	1	PC	SA

