

Model type:

**AQCF851BUAUS**

Commercial code:

**F062496**

## General notes

### Technical Documentation guidelines

---

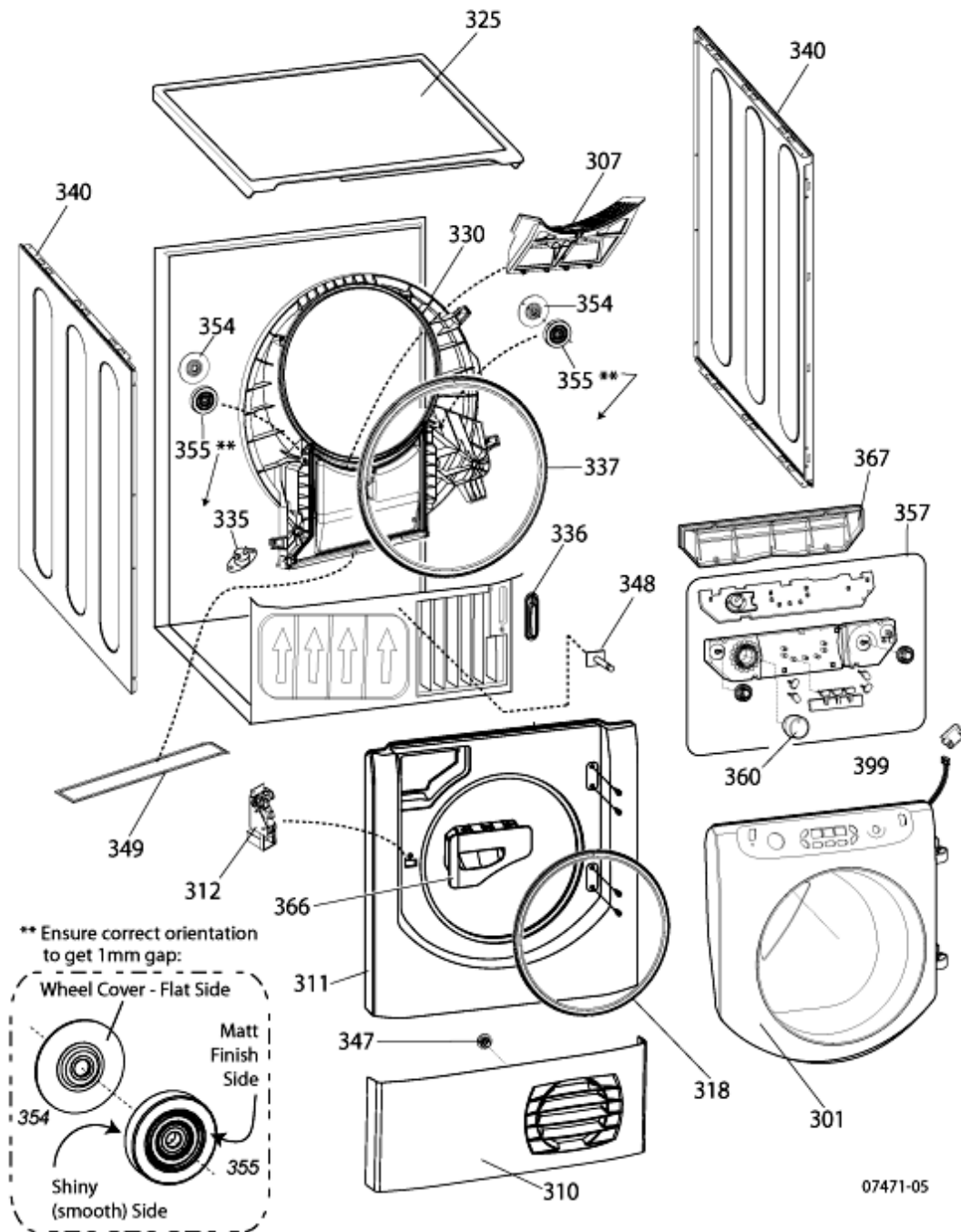
---

You can find herewith some generic information to simplify consulting of technical documentation:

1. Models of same range share the same exploded views, which report the richest set of spare parts: generally, a model does not necessarily have a related spare part for each particular shown on exploded views.
2. Some spare parts can not be represented directly on the exploded views (instruction booklets, specific kit, etc...). You can find those codes in the spare parts list with the same reference of particular where spares are installed or with references 099, 999. Instruction booklets, once managed, appear with 000 reference.
3. On the higher right site of each exploded view there is a serial number which indicates the beginning of the production of certain range: some models might have more than an exploded view for a given category, each distinguished by a different serial no. and linked to another spare parts list, In this case, serial no. is required to supply the right spare part code. Exploded view to be considered is the one with a more recent serial no. but previous than the one of the model that needs assistance.
4. Exploded views might require further updates even after publishing. Addition of new spares will go on following the already existing numeration references. Revision number of an exploded view is shown into last four digits of serial number into upper right hand corner.
5. The spare parts list associated to an exploded view shows related codes of spares managed for a certain model; for each spare part other informations are available:  
  
REF: reference no of spare into a table; SUBSTITUTE: list of spare(s) which can replace a code but that keeps same functional characteristics  
  
INDUSTRIAL CODE: list of variables of a model (shown into model label) where such spare is used; NOTICE: code of information(s) to refer to complete technical intervention, track for changes or to find correct spare part code.
6. Some notices, into a same section are generic therefore cannot be directly linked to a spare part. In order to assist a model in the best way as possible, it is helpful to pay attention to all notices and constantly verify documentation updates
7. Technical documentation cover shows model name and its commercial codes

07471-05

Exploded views



07471-05

07471-05

Spare parts list

Ref.	Code	From	To S/N	Substitute	Description	Notice	Industrial
301	C00119123 (482000080872)			1 x C00288362 (482000088532)	screw hinge 5 x 14 tmt		
301	C00270409 (482000086534)				hinge gasket		
301	C00278849 (482000087705)				door assy. aqualtis		
307	C00268262 (482000030881)			1 x C00286296 (482000023260)	filter aqualtis grey	n4411g02	
307	C00286296 (482000023260)				filter aqualtis white	n4411g02	
310	C00268277 (482000030882)			1 x C00512720 (488000512720)	plinth white		
311	C00095621 (482000078225)			1 x C00250894 (482000084802)	screw 8x1/2		
311	C00250713 (482000070071)			1 x C00194446 (482000083140)	screw 8x.5 p/pan		
311	C00268273 (482000086257)				front panel white		
312	C00268378 (482000030887)				door switch aqualtis		
318	C00268375 (482000030885)				door seal aqualtis grey	n4412c00	
325	C00268256 (482000030880)			1 x C00512726 (488000512726)	worktop white		
330	C00141612 (482000029581)				sensor strip		
330	C00268614 (482000086301)			1 x C00286664 (482000088372)	front air duct grey aqualtis	n4411g08	
330	C00286664 (482000088372)				front air duct white aqualtis	n4411g08	
335	C00142702 (482000029656)				thermostat front		
336	C00113889 (482000080002)			1 x C00503634 (488000503634)	serial port cover		
337	C00268264 (482000023098)				drum front seal		

340	C00113856 (482000022833)		side panel fmd white	
340	C00122256 (482000080957)		screw 6 x 3/8	
347	C00115798 (482000028852)		plinth cover catch	
349	C00142773 (482000081881)	1 x C00286912 (482000088387)	front air duct to base seal	
354	C00283709 (482000088094)		protective wheel cover aqualtis	
355	C00272906 (482000023142)		wheel kit	
357	C00276320 (482000023163)		display module stand - by	
360	C00272632 (482000086827)	1 x C00288240 (482000088530)	components knob dgt new aq	
366	C00269322 (482000086388)		container support adaptor	
366	C00277996 (482000087610)	1 x C00280726 (482000087862)	drawer handle australia	
367	C00119125 (482000029086)	1 x C00510506 (488000510506)	cover-plate white aqua	n4017f01
367	C00270724 (482000086575)		cover gasket	



07471-20

Spare parts list

Ref.	Code	From	To S/N	Substitute	Description	Notice	Industrial
501	C00269784 (482000086463)			1 x C00286891 (482000031770)	drum assy s/s (plain)	n4411h00	
501	C00286891 (482000031770)				drum assy s/s pattern	n4411h00	
502	C00113860 (482000028691)				seal base rear panel		
502	C00378870 (482000090396)				rear panel kit condenser futura/aqualtis	n4415100	
503	C00142628 (482000022961)				drum rear bearing teardrop		
503	C00250889 (482000023027)				screw		
504	C00142631 (482000029650)				drum shaft collar		
505	C00209008 (482000084556)			1 x C00095551 (482000028095)	drive pin		
507	C00118929 (482000080836)			1 x C00289203 (482000031841)	brg cover plastic		
508	C00141698 (482000081731)				mains cable and plug aust		
509	C00095556 (482000078199)			1 x C00376410 (488000376410)	cable clamp/grommet		
509	C00250833 (482000084793)				no7 hilo pozi screw		
510	C00378870 (482000090396)				rear panel kit condenser futura/aqualtis	n4415100	
511	C00264260 (482000030700)		00815...		cover heater +wick		
511	C00280898 (482000031494)	00816...			heater cover +insulating pad+wick	n4410f01	
515	C00113866 (482000022834)				drain pipe 625mm		
515	C00114676 (482000028760)				pipe support		
516	C00268529 (482000086289)				pipe rubber 675mm		

521	C00116598 (482000022867)			stat kit dbk (one shot+cycling) td	
522	C00277073 (482000031360)	00815...		heater a2 2.05kw (+1 shot + cycling)	n4410f01  n4417b00
522	C00281008 (482000087877)	00816...	1 x C00277073 (482000031360)	heater assy a2 2.05kw bbc	n4410f01
526	C00208347 (482000023022)			clamp d.19	
527	C00208040 (482000023021)			fan (td)	
541	C00113038 (482000022828)			drum shaft kit (screwed shaft only)	n4414g00
541	C00305794 (482000032268)			drum shaft kit (riveted drum plate)	n4414g00
544	C00122256 (482000080957)			screw 6 x 3/8	
544	C00271231 (482000031033)		1 x C00301275 (482000032214)	mains con and suppre	
545	C00141607 (482000081713)		1 x C00286905 (482000031771)	drum lifter short	n4411h00
545	C00250835 (482000084794)			screw 5 x 23	
545	C00286905 (482000031771)			drum lifter short curved	n4411h00
547	C00268612 (482000086300)		1 x C00287014 (482000031775)	water container support	
548	C00268610 (482000030900)			water container aqualtis	
549	C00268401			elbow	
550	C00192903 (482000091621)			this item is not fitted to this model	

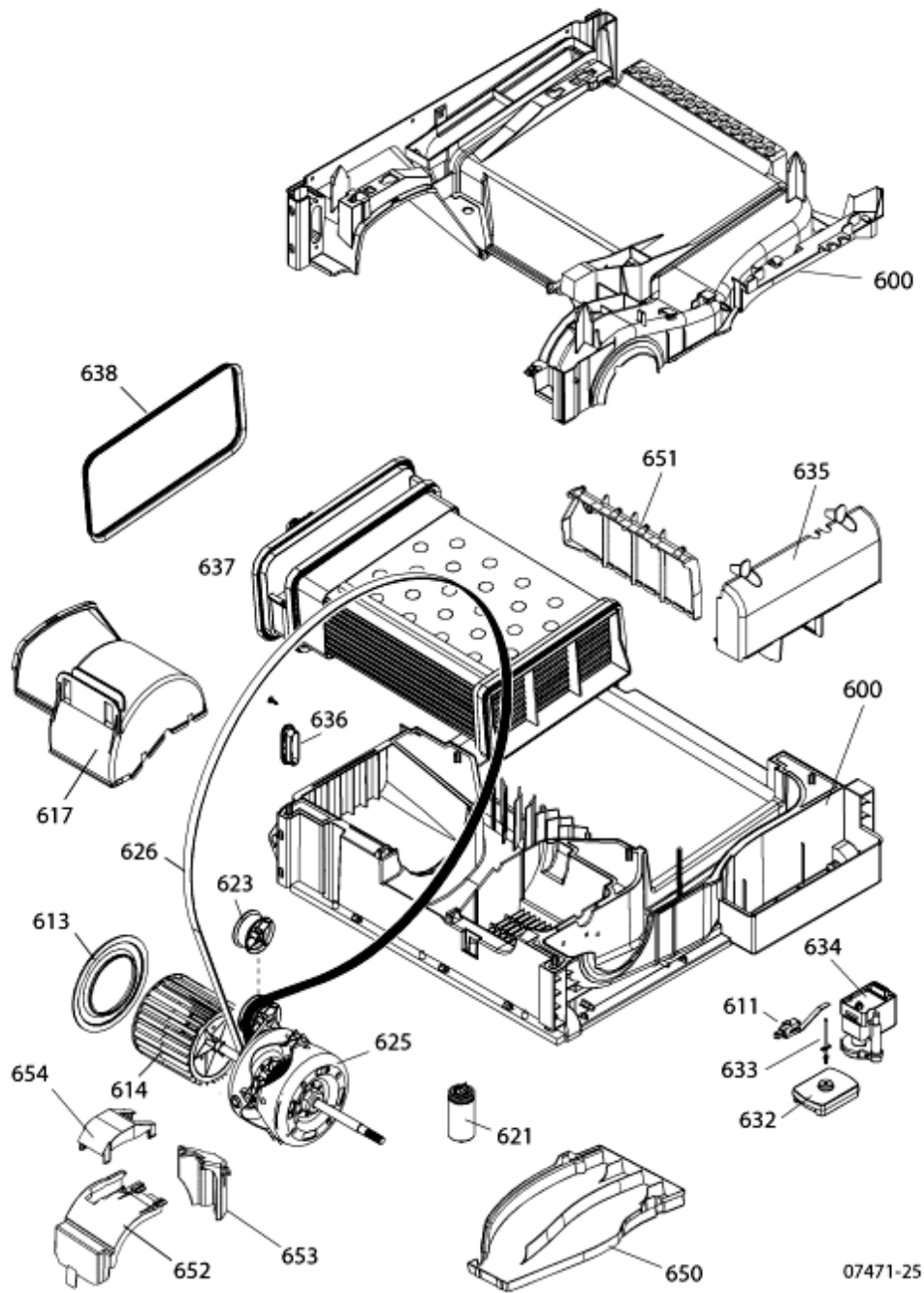
07471-20

Spare parts list

Ref.	Code	From	To S/N	Substitute	Description	Notice	Industrial
551	C00277031 (482000087507)		00815...	1 x C00280422 (482000031476)	module a2 sw4.05.08	n4410f01	
551	C00280422 (482000031476)	00816...			module a2 fw 4.5.14 bbc	n4410f01	
552	C00192903 (482000091621)				this item is not fitted to this model		
553	C00269322 (482000086388)				container support adaptor		
556	C00116358 (482000032360)			1 x C00300793 (482000023435)	belt (1991mm fitted)	n4413j00	
557	C00268409				side strut aqualtis		
558	C00143511 (482000029780)				thermostat ntc (tod)		
562	C00113897 (482000022836)				water cont inlet		
564	C00275182 (482000087212)				water pipe top		
566	C00278092		00815...		card aqcf851buaus 8kb 28624960000		
599	C00264077 (482000085772)			1 x C00279523 (482000087768)	cable sensing strip		
599	C00269807 (482000086468)				harness-float sw-pump-cap.		
599	C00278088				harness a2 ntc-door sw-interface- filter		
999	C00270553				service manual		
999	C00288739				service manual		

07471-25

Exploded views



07471-25

07471-25

Spare parts list

Ref.	Code	From	To S/N	Substitute	Description	Notice	Industrial
600	C00258610 (482000085185)			1 x C00287037 (482000031776)	base grey		
600	C00271612 (482000086693)				screw 14mm cond base		
611	C00258878 (482000030529)				float switch n/o		
613	C00275391 (482000087241)			1 x C00288996 (482000088625)	ring inlet cool fan b energy +7kg		
614	C00208347 (482000023022)				clamp d.19		
614	C00272335 (482000023128)				impeller cooling (td) 72mm		
617	C00113878 (482000079995)			1 x C00288190 (482000072444)	impeller cover grey		
621	C00258619 (482000023051)				capacitor 8.5 uf. (ducati)	n4412c02	
621	C00275351 (482000023158)				capacitor 9.5uf	n4412c02	
623	C00113879 (482000022835)			1 x C00504520 (488000504520)	jockey wheel and bracket	n4417d00	
625	C00258676 (482000072314)		00815...	1 x C00291170 (482000088819)	motor 350	n4410f01	
625	C00270657 (482000023110)				screw m5x20		
625	C00280423 (482000087833)	00816...		1 x C00306348 (482000030192)	motor 362/363 (3 wires 8.5uf cap)	n4410f01	
625	C00291170 (482000088819)		00815...	1 x C00306348 (482000030192)	motor 356 kit	n4410f01	
626	C00116358 (482000032360)			1 x C00300793 (482000023435)	belt (1991mm fitted)	n4413j00	
632	C00195866 (482000023012)			1 x C00378635 (482000092346)	float		
633	C00259700 (482000085313)				float pin 75mm		
634	C00193127 (482000030139)			1 x C00306876 (482000023488)	pump		

635	C00193187 (482000083049)		1 x C00288932 (482000023283)	pump and float cover	
636	C00113889 (482000080002)		1 x C00503634 (488000503634)	serial port cover	
637	C00113890 (482000080003)	00816...	1 x C00287179 (482000031779)	condenser	n4410f01
637	C00258585 (482000085181)	00815...		condenser	n4410f01
638	C00113903 (482000028698)	00816...		condensor front cover seal (black foam)	n4410f01
650	C00258863 (482000085216)	00815...		base duct lower	n4410f01
651	C00258597 (482000091179)			base cover	
652	C00258861 (482000085215)	00815...		motor cover	n4410f01
653	C00258858	00815...		motor cover	n4410f01
654	C00258670	00815...		motor cover	n4410f01

## Notices

### n4410f01: 350 MOTOR AND B Energy BOM Changes

---

#### 350 MOTOR

THE 350 motor once current stock is exhausted, will no longer be available.

The 356 motor with a 9.5uf Capacitor is a suitable replacement.

#### CAPACITORS

When replacing a capacitor, the motor fitted must be first identified.

350 MOTOR        8.5uF

362/363 MOTOR   8.5uF

356 MOTOR        9.5uF

THE CORRECT CAPACITOR MUST ALWAYS BE FITTED.

From 16/08/2010, Serial No.0816.0001 the build of some 7.Kg, 7.5Kg & 8Kg level 2 and level 3 B Energy rated condenser dryers changed to a new B Energy build using an A2 control module with 4.5.14 firmware along with a new type 362 motor and 2.3Kw insulated heater assembly. The base unit is based on the Aqualtis B Energy but using the C Energy type condenser unit with the base duct and motor covers removed.

FROM LATE SUMMER 2016 THE MORE EFFICIENT CONDENSER C00258585 WAS AGAIN USED IN PRODUCTION

### n4411g02: AQUALTIS TUMBLE DRYERS FILTERS

---

FROM JUNE 2011 THE FLUFF FILTER FITTED TO AQUALTIS TUMBLE DRYER CHANGED IN PRODUCTION FROM GREY TO WHITE.

SELECTED THE CORRECT PART BY DESCRIPTION IN THE PARTS LIST

### n4411g03: AQUALTIS DOOR SEAL COLOUR CHANGE

---

ON SELECTED TUMBLE DRYERS FROM JUNE 2011 THE DOOR SEAL COLOUR CHANGED FROM GREY TO WHITE.  
SELECTED THE CORRECT PART BY DESCRIPTION IN THE PARTS LIST

## n4411g08: COLOUR CHANGE FRONT AIR DUCT AQUALTIS DRYER

---

FROM JUNE 2011 THE FRONT AIR DUCT FITTED TO AQUALTIS TUMBLE DRYERS CHANGED IN PRODUCTION FROM GREY TO WHITE.

SELECTED THE CORRECT PART BY DESCRIPTION IN THE PARTS LIST

## n4411h00: CHANGES TO THE CONDENSER DRUM AND LIFTERS

---

FROM JULY 2011 THE DRUM FITTED TO ALL CONDENSER TUMBLE DRYERS CHANGED IN PRODUCTION FROM PLAIN TO A PATTERNED FINISH.

WITH THIS CHANGE THE DRUM LIFTERS CHANGED FROM STRAIGHT TO CURVED.

THE PATTERNED DRUM AND CURVED DRUM LIFTER WILL BECOME THE SERVICE SPARE PARTS ONCE STOCK OF THE ORIGINAL DRUM AND LIFTERS ARE EXHAUSTED.

## n4412c00: AQUALTIS DOOR SEAL

---

THE AQUALTIS WHITE DOOR SEAL IS NO LONGER AVAILABLE.

THE AQUALTIS GREY DOOR SEAL IS THE SERVICE REPLACEMENT

## n4412c02: CONDENSER CAPACITORS

---

WHEN REPLACING A CAPACITOR THE MOTOR FITTED TO THE MACHINE MUST BE IDENTIFIED FIRST.

350 MOTOR      8.5uF

362/363 MOTOR   8.5uF

356 MOTOR      9.5uF

372/373 Motor   8.5uF

392/363 Motor   8.5uf

392/393 Motor   8.5uf Capacitor (Ducati)

THE CORRECT CAPACITOR MUST ALWAYS BE FITTED.

## n4414g00: DRUM SHAFT REPAIR KITS

---

THERE ARE 2 TUMBLE DRYER DRUM SHAFT KITS.

C00113038 DRUMS WHERE THE DRUM SHAFT IS SCREWED

C00305794 DRUMS WHERE THE DRUM SHAFT IS RIVETTED.

THE CORRECT KIT MUST ALWAYS BE FITTED.

BOTH KITS CONSIST OF THE DRUM SHAFT/SUPPORT, DRIVE PIN FIXING SCREWS and REAR BEARING. STARTING FROM JUNE 2014 THE DRUM SEALS WHICH WERE INCLUDED IN KIT C00113038 HAVE BEEN REMOVED.

## n4415l00: Rear panel Service Kit

---

Please see TB001652 for instruction.

## n4417b00: THERMISTOR NO LONGER INCLUDED WITH HEATER

---

STARTING FROM FEBRUARY 2017 THE NTC WILL NO LONGER BE INCLUDED WITH SCIROCCO SERVICE HEATERS.

THE NTC MUST BE TRANSFERRED FROM THE ORIGINAL HEATER.

IF THE NTC IS FAULTY IT IS AVAILABLE AS A SERVICE SPARE. SEE PARTS LIST AFFECTED HEATER ASSEMBLIES

C00277072

C00260045

C00258799

C00277073

C00277074

C00257632

C00257622

## n4417d00: NEW JOCKEY WHEEL WITH ROLLER BEARINGS INTRODUCED

---

STARTING DURING DECEMBER 2016 A NEW JOCKEY WHEEL WITH ROLLER BEARINGS (C00504520) IS BEING USED IN PRODUCTION.

THE NEW UNIT IS INTERCHANGABLE WITH THE EARLIER JOCKEY WHEEL AND ONCE STOCK OF THE ORIGINAL IS EXHAUSTED THE JOCKEY WHEEL WITH ROLLER BEARINGS WILL BECOME THE SERVICE SPARE FOR ALL CONDENSER DRYERS WITH A CAPACITOR MOTOR



n4413j00: BREAKING BELTS

---

---

To overcome the issue of breaking belts the 6 Rib belt has been replaced by the 8 rib belt C00300793

## Electric schemes and links

Cod. 5407583

Indesit Company

### INDESIT TUMBLE DRYER - LED FAULT CODES for Models with EVO2 Electronics

A fault is indicated by the Start/Pause and Option LEDs flashing - plus one or more of the Fault Code LEDs illuminated (but not flashing) together.

Note: The first 15 minutes of all automatic cycles is used to calculate the estimated drying time.

**FAULT CODE TABLE**

FAULT	CAUSE	STATUS OF LEDs - LED COMBINATION				
		5	4	3	2	1
F01	Motor triac in short circuit or Relay of motor welded closed	OFF	OFF	OFF	OFF	ON
F02	Blocked motor (fan blocked).	OFF	OFF	OFF	ON	OFF
F03	Front NTC open or short circuit	OFF	OFF	OFF	ON	ON
F04	Pump working when should be off.	OFF	OFF	ON	OFF	OFF
F05	Pump not working when should be on.	OFF	OFF	ON	OFF	ON
F06	Non used, active	OFF	OFF	ON	ON	OFF
F07	Lower element failure	OFF	OFF	ON	ON	ON
F08	Static heater relay welded closed	OFF	ON	OFF	OFF	OFF
F09	Error set-up file. EEPROM is not programmed or not functioning	OFF	ON	OFF	OFF	ON
F10	Common of heater open, one shot open	OFF	ON	OFF	ON	OFF
F11	Pump open circuit.	OFF	ON	OFF	ON	ON
F12	No communication between display board and control board	OFF	ON	ON	OFF	OFF
F13	Rear NTC open or short circuit.	OFF	ON	ON	OFF	ON
F14	Upper element failure	OFF	ON	ON	ON	OFF
F15	Dynamic (PD) heater relay welded closed	OFF	ON	ON	ON	ON
F16	Not used, active	ON	OFF	OFF	OFF	OFF
F17	Master relay welded closed	ON	OFF	OFF	OFF	ON

For additional Fault Code information see next page.

Service Manual UK English

Doc. Ref: 5407583 / C00309339 / SM004045. Issue 2. Dec. 2015 1 of 2

Indesit Company

### DIAGNOSTIC NOTES - LED CONSOLE TUMBLE DRYERS for Models with EVO2 Electronics

**Float Switch Operation**  
The Tumble Dryer will continue to tumble and heat for 1 minute, and then tumble with no heat for a further 10 minutes. Therefore after float switch operation no warnings will display for upto 12 minutes.

**ONE SHOT Thermostat Operation**  
Before Serial number 70802.0000, the relevant fault code will display.  
**A1 Module Versions:**  
Between serial numbers 70802.0001 and 91123.0000 (A1) the Tumble Dryer will "shut down", all LEDs and display are OFF.  
**A2 Module Versions:**  
From Serial number 00101.0000 (A2) the heater will turn off, but the programme will continue with normal drum operation, the Tumble Dryer will not dry.  
**Between Serial Numbers 91123.0001 and 91231.9999 :**  
- If Tumble Dryer has no blue dot on rear panel see A1 above.  
- If Tumble Dryer has a blue dot on rear panel see A2 above.

Service Manual UK English

Doc. Ref: 5407583 / C00309339 / SM004045. Issue 2. Dec. 2015 2 of 2

## Legend

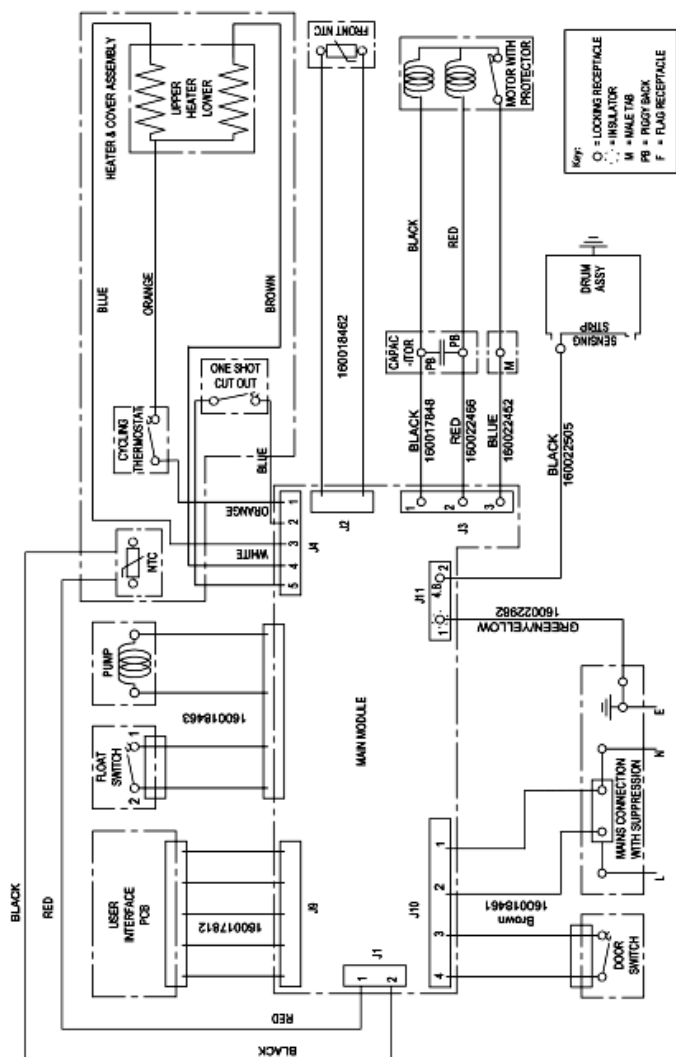
Legend: 5407583

Cod. 5407584

Electric schemes and links

Indesit Company

**ELECTRONIC CONDENSER TUMBLE DRYER - WIRING DIAGRAM**  
**A2 Module + Heater Wiring with J10 Connector Update - from Serial Number 00612.0000**



Doc Ref: 5407584 Issue 2, Nov. 2011 (schematic)

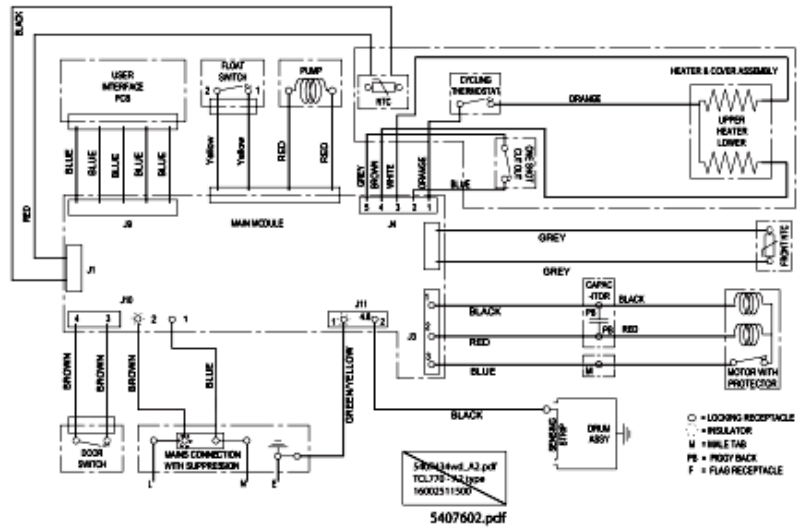
## Legend

Legend: 5407584

Electric schemes and links

Cod. 5407602

**WIRING DIAGRAM - Models fitted with A2 type Module & Heater BEFORE Serial No. 00612.0000**



## Legend

Legend: 5407602